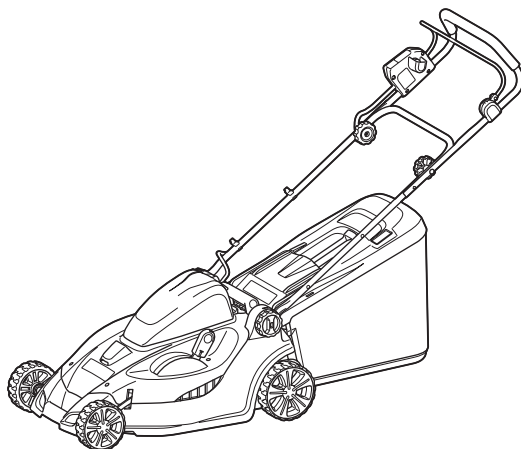




EN	Cordless Lawn Mower	INSTRUCTION MANUAL	6
SV	Batteridrivnen gräsklippare	BRUKSANVISNING	14
NO	Batteridrevet gressklipper	BRUKSANVISNING	22
FI	Akkukäyttöinen ruohonleikkuri	KÄYTTÖOHJE	30
LV	Bezvada zāles pļaujmašīna	LIETOŠANAS INSTRUKCIJA	38
LT	Belaidė vejapjovė	NAUDOJIMO INSTRUKCIJA	46
ET	Akutoitega elektriline muruniiduk	KASUTUSJUHEND	55
RU	Акумуляторная газонокосилка	РУКОВОДСТВО ПО ЭКСПЛУАТАЦИИ	63

DLM431



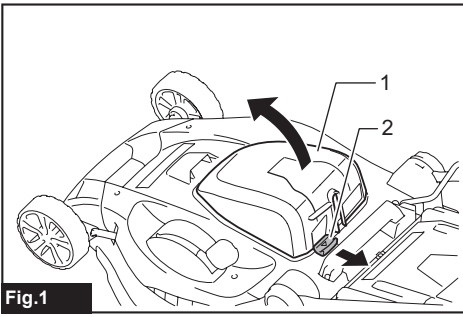


Fig.1

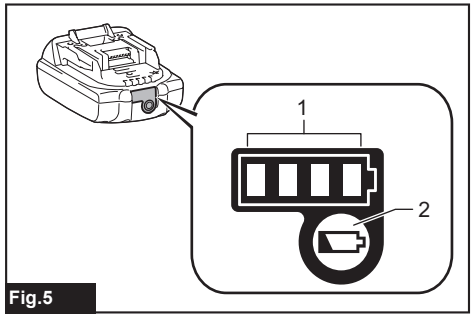


Fig.5

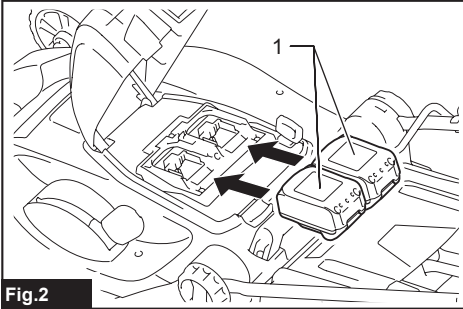


Fig.2

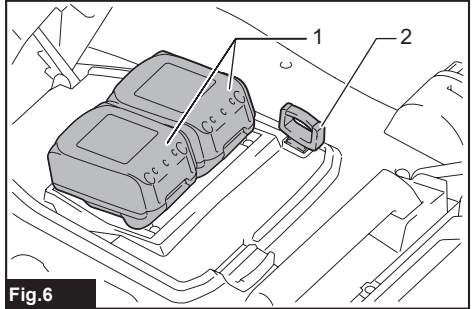


Fig.6

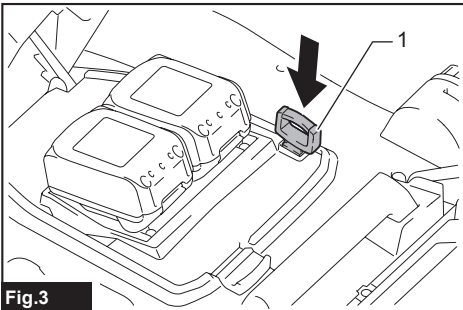


Fig.3

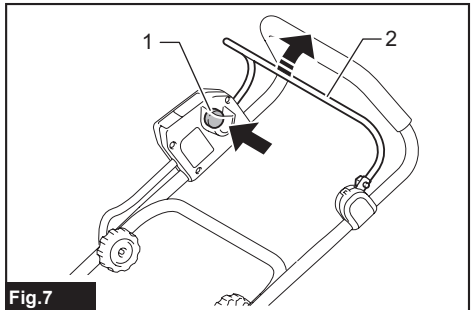


Fig.7

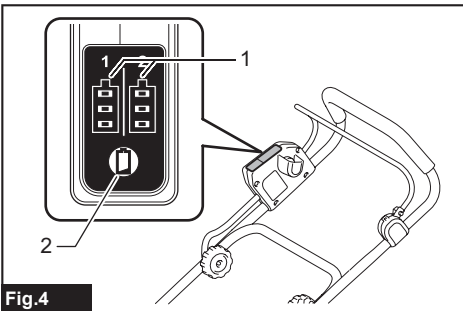


Fig.4

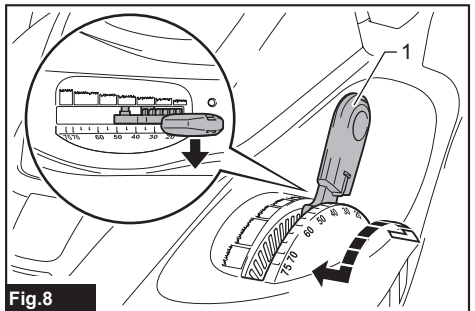
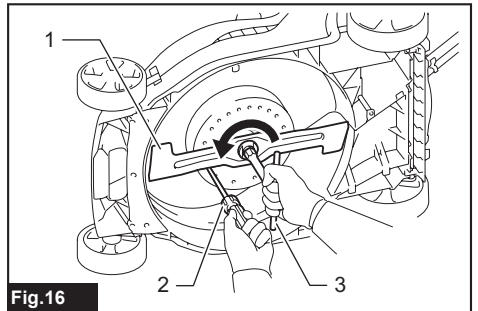
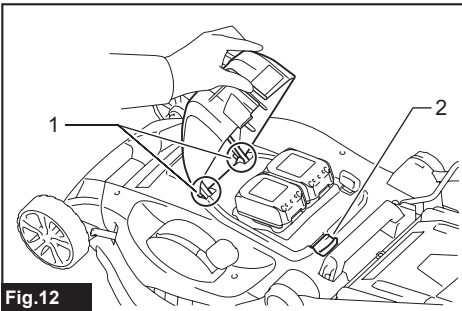
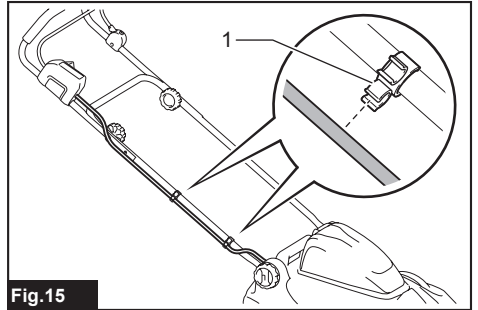
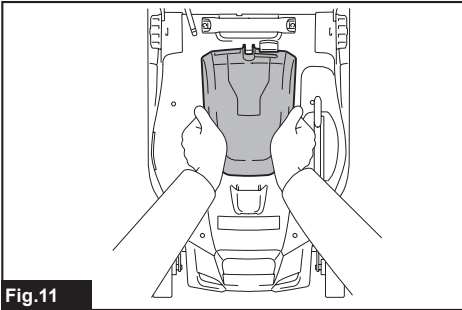
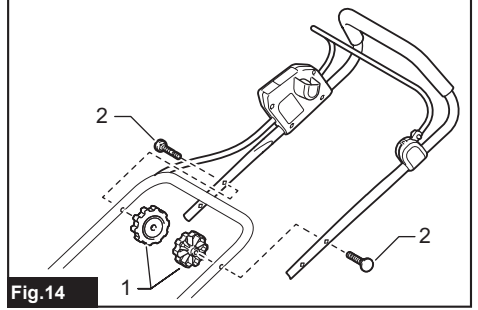
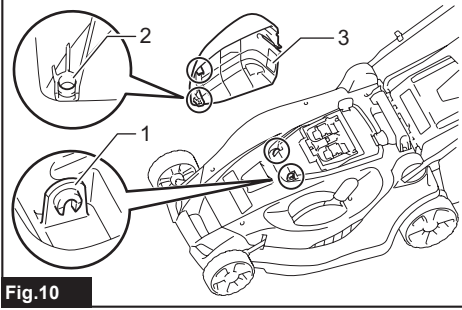
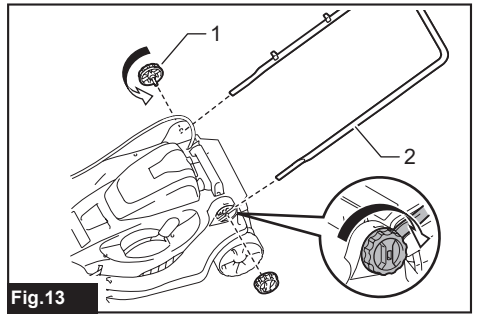
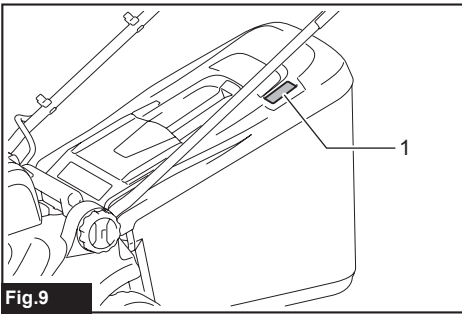


Fig.8



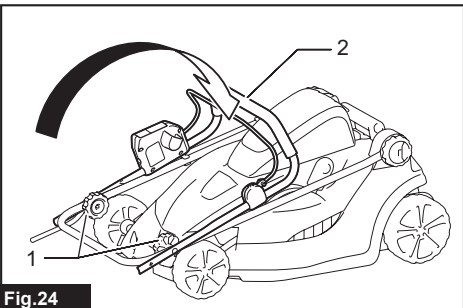
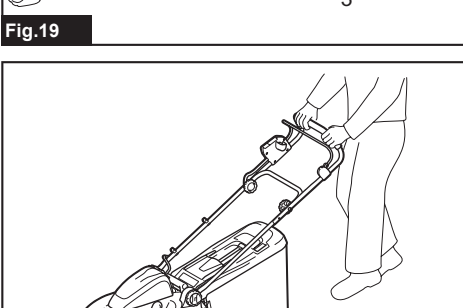
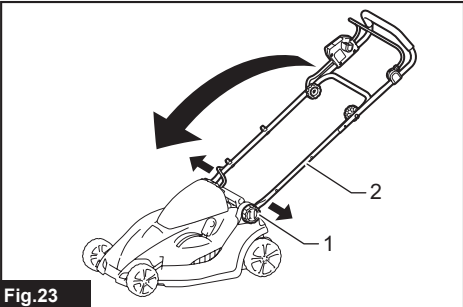
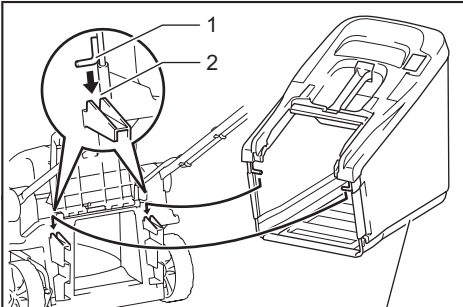
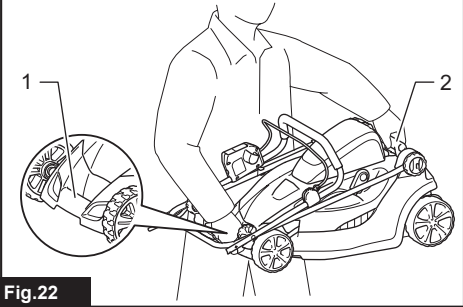
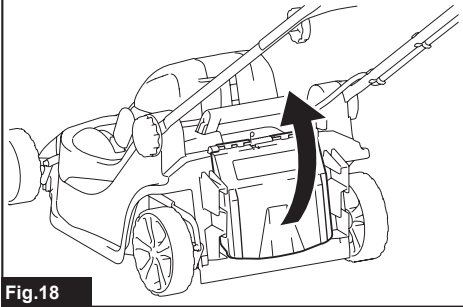
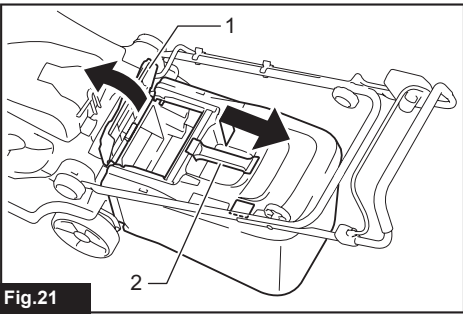
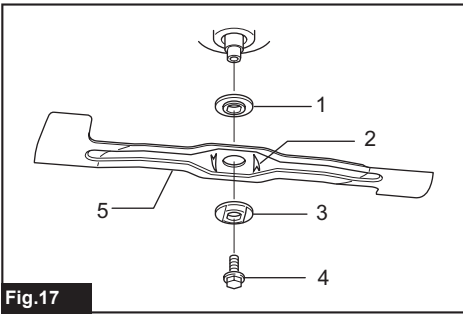
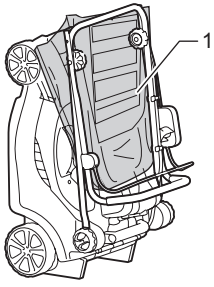


Fig.25



SPECIFICATIONS

Model:		DLM431	
Mowing width (blade diameter)		430 mm	
No load speed		3,600 min ⁻¹	
Dimensions (L x W x H)	during operation	Max. 1,490 mm x 460 mm x 1,020 mm Min. 1,450 mm x 460 mm x 950 mm	
	when stored (without grass basket)	490 mm x 460 mm x 910 mm	
Rated voltage		D.C. 36 V	
Standard battery cartridge(s) ⚠Warning: Use only the battery cartridge(s) described.		BL1815N/BL1820/BL1820B	BL1830/BL1830B/BL1840/ BL1840B/BL1850/BL1850B/ BL1860B
Net weight		17.8 kg	18.3 kg

- Due to our continuing program of research and development, the specifications herein are subject to change without notice.
- Specifications and battery cartridge may differ from country to country.
- Weight, with battery cartridge, according to EPTA-Procedure 01/2003

Symbols

The following show the symbols used for the equipment. Be sure that you understand their meaning before use.

	Take particular care and attention.
	Read instruction manual.
	Danger; be aware of thrown objects.
	The distance between the tool and bystanders must be at least 15 m.
	Never put your hands and feet near the blade under the mower. Blades continue to rotate after the motor is switched off.
	Remove the lock key before inspecting, adjusting, cleaning, servicing, leaving and storing the mower.
 Cd Ni-MH Li-ion	Only for EU countries Do not dispose of electric equipment or battery pack together with household waste material! In observance of the European Directives, on Waste Electric and Electronic Equipment and Batteries and Accumulators and Waste Batteries and Accumulators and their implementation in accordance with national laws, electric equipment and batteries and battery pack(s) that have reached the end of their life must be collected separately and returned to an environmentally compatible recycling facility.

Intended use

The tool is intended for lawn mowing.

Noise

The typical A-weighted noise level determined according to EN60335:

Sound pressure level (L_{pA}) : 80 dB(A)

Sound power level (L_{WA}) : 93 dB (A)

Uncertainty (K) : 3 dB(A)

The noise level under working may exceed 80 dB (A).

Vibration

The vibration total value (tri-axial vector sum) determined according to EN60335:

Vibration emission (a_h) : 2.5 m/s² or less

Uncertainty (K) : 1.5 m/s²

NOTE: The declared vibration emission value has been measured in accordance with the standard test method and may be used for comparing one tool with another.

NOTE: The declared vibration emission value may also be used in a preliminary assessment of exposure.

⚠WARNING: The vibration emission during actual use of the power tool can differ from the declared emission value depending on the ways in which the tool is used.

⚠WARNING: Be sure to identify safety measures to protect the operator that are based on an estimation of exposure in the actual conditions of use (taking account of all parts of the operating cycle such as the times when the tool is switched off and when it is running idle in addition to the trigger time).

EC Declaration of Conformity

For European countries only

Makita declares that the following Machine(s):

Designation of Machine: Cordless Lawn Mower

Model No./ Type: DLM431

Conforms to the following European Directives:

2000/14/EC, 2006/42/EC

They are manufactured in accordance with the following

standard or standardized documents: EN60335

The technical file in accordance with 2006/42/EC is available from:

Makita, Jan-Baptist Vinkstraat 2, 3070, Belgium

The conformity assessment procedure required by

Directive 2000/14/EC was in Accordance with annex VI.

Notified Body: TÜV Rheinland LGA Products GmbH

Am Grauen Stein 29 51105 Köln Germany

Identification number 0197

Measured Sound Power Level: 93 dB (A)

Guaranteed Sound Power Level: 94 dB (A)

1.12.2015



Yasushi Fukaya

Director

Makita, Jan-Baptist Vinkstraat 2, 3070, Belgium

IMPORTANT SAFETY INSTRUCTIONS

⚠ WARNING: Read all safety warnings and all instructions. Failure to follow the warnings and instructions may result in electric shock, fire and/or serious injury.

Save all warnings and instructions for future reference.

1. Do not insert the key into mower until it is ready to be used.
2. Children should be supervised to ensure that they do not play with the mower.
3. Never allow children or people unfamiliar with these instructions to use the mower. Local regulations can restrict the age of the operator.
4. Never operate the mower while people, especially children, or pets are nearby.
5. Keep in mind that the operator or user is responsible for accidents or hazards occurring to other people or their property.
6. While operating the mower, always wear substantial footwear and long trousers. Do not operate the mower when barefoot or wearing open sandals. Avoid wearing clothing or jewelry that is loose fitting or that has hanging cords or ties. They can be caught in moving parts.
7. Operate the mower only in daylight or in good artificial light.
8. Avoid operating the mower in wet grass.
9. Never operate the mower in the rain.

10. **Battery tool use and care**
 - Recharge only with the charger specified by the manufacturer. A charger that is suitable for one type of battery cartridge may create a risk of fire when used with another battery cartridge.
 - Use power tools only with specifically designed battery cartridges. Use of any other battery cartridges may create a risk of injury and fire.
 - When battery cartridge is not in use, keep it away from other metal objects, like paper clips, coins, keys, nails, screws or other small metal objects, that can make a connection from one terminal to another. Shorting the battery terminals together may cause burns or a fire.
 - Under abusive conditions, liquid may be ejected from the battery; avoid contact. If contact accidentally occurs, flush with water. If liquid contacts eyes, additionally seek medical help. Liquid ejected from the battery may cause irritation or burns.
11. Always keep a firm hold on the handle.
12. Always be sure of your footing on slopes.
13. Walk, never run.
14. Don't grasp the exposed cutting blades or cutting edges when picking up or holding the mower.
15. Physical condition - Do not operate mower while under the influence of drugs, alcohol, or any medication.
16. Keep hands and feet away from rotating blades. Caution - Blades coast after the mower is switched off.
17. Use only the manufacturer genuine blades specified in this manual.
18. Check the blades carefully for cracks or damage before operation. Replace cracked or damaged blades immediately.
19. Be sure the area is clear of other people before mowing. Stop mower if anyone enters the area.
20. Remove foreign matters such as rocks, wire, bottles, bones and large sticks from the work area before mowing to prevent personal injury or damage to the mower.
21. Stop operation immediately if you notice anything unusual. Switch off the mower and remove the key. Then inspect the mower.
22. Never attempt to make wheel height adjustments while mower is running.
23. Release switch lever and wait for blade rotation to stop before crossing driveways, walks, roads, and any gravel-covered areas. Also remove the key if you leave the mower, reach to pick up or remove something out of your way, or for any other reason that may distract you from what you are doing.
24. Objects struck by the mower blade can cause severe injuries to persons. The lawn should always be carefully examined and cleared of all objects prior to each mowing.
25. If the mower strikes a foreign object, follow these steps:
 - Stop the mower, release the switch lever and wait until the blade comes to a complete stop.
 - Remove the key and the battery cartridge.
 - Thoroughly inspect the mower for any damage.

- Replace the blade if it is damaged in any way. Repair any damage before restarting and continuing to operate the mower.
- 26. Check the grass basket frequently for wear or deterioration. For storage, always make sure the grass basket is empty. Replace a worn grass basket with a new factory replacement for safety.
- 27. Use extreme caution when reversing or pulling the mower towards you.
- 28. Stop the blade(s) if the mower has to be tilted for transportation when crossing surfaces other than grass, and when transporting the mower to and from the area to be used.
- 29. Never operate the mower with defective guards or shields, or without safety devices, for example deflectors and/or grass basket, in place.
- 30. Switch on the mower carefully according to instructions and with feet well away from the blade(s).
- 31. Do not tilt the mower when switching on the motor, except if the mower has to be tilted for starting. In this case, do not tilt it more than absolutely necessary and lift only the part, which is away from the operator.
- 32. Do not start the mower when standing in front of the discharge opening.
- 33. Do not put hands or feet near or under rotating parts. Keep clear of the discharge opening at all times.
- 34. Do not transport the mower while the mower is turned on.
- 35. Stop the mower, and remove the disabling device. Make sure that all moving parts have come to a complete stop
 - whenever you leave the mower,
 - before clearing blockages or unclogging chute,
 - before checking, cleaning or working on the mower,
 - after striking a foreign object. Inspect the mower for damage and make repairs before restarting and operating the mower.
- 36. If the mower starts to vibrate abnormally (check immediately)
 - inspect for damage,
 - replace or repair any damaged parts,
 - check for and tighten any loose parts.
- 37. Be careful during adjustment of the mower to prevent entrapment of the fingers between moving blades and fixed parts of the mower.
- 38. Mow across the face of slopes, never up and down. Exercise extreme caution when changing direction on slopes. Do not mow excessively steep slopes.
- 39. Do not wash with a hose; avoid getting water in motor and electrical connections.
- 40. Check the blade mounting bolt at frequent intervals for proper tightness.
- 41. Keep all nuts, bolts, and screws tight to be sure the equipment is in safe working condition.
- 42. Always allow the mower to cool down before storing.

- 43. When servicing the blades be aware that, even though the power source is switched off, the blades can still be moved.
- 44. Replace worn or damaged parts for safety. Use only genuine replacement parts and accessories.

SAVE THESE INSTRUCTIONS.

⚠WARNING: DO NOT let comfort or familiarity with product (gained from repeated use) replace strict adherence to safety rules for the subject product.

MISUSE or failure to follow the safety rules stated in this instruction manual may cause serious personal injury.

Important safety instructions for battery cartridge

1. Before using battery cartridge, read all instructions and cautionary markings on (1) battery charger, (2) battery, and (3) product using battery.
2. Do not disassemble battery cartridge.
3. If operating time has become excessively shorter, stop operating immediately. It may result in a risk of overheating, possible burns and even an explosion.
4. If electrolyte gets into your eyes, rinse them out with clear water and seek medical attention right away. It may result in loss of your eyesight.
5. Do not short the battery cartridge:
 - (1) Do not touch the terminals with any conductive material.
 - (2) Avoid storing battery cartridge in a container with other metal objects such as nails, coins, etc.
 - (3) Do not expose battery cartridge to water or rain.

A battery short can cause a large current flow, overheating, possible burns and even a breakdown.
6. Do not store the tool and battery cartridge in locations where the temperature may reach or exceed 50 °C (122 °F).
7. Do not incinerate the battery cartridge even if it is severely damaged or is completely worn out. The battery cartridge can explode in a fire.
8. Be careful not to drop or strike battery.
9. Do not use a damaged battery.
10. The contained lithium-ion batteries are subject to the Dangerous Goods Legislation requirements.

For commercial transports e.g. by third parties, forwarding agents, special requirement on packaging and labeling must be observed. For preparation of the item being shipped, consulting an expert for hazardous material is required. Please also observe possibly more detailed national regulations.
Tape or mask off open contacts and pack up the battery in such a manner that it cannot move around in the packaging.

- Follow your local regulations relating to disposal of battery.

SAVE THESE INSTRUCTIONS.

⚠ CAUTION: Only use genuine Makita batteries. Use of non-genuine Makita batteries, or batteries that have been altered, may result in the battery bursting causing fires, personal injury and damage. It will also void the Makita warranty for the Makita tool and charger.

Tips for maintaining maximum battery life

- Charge the battery cartridge before completely discharged. Always stop tool operation and charge the battery cartridge when you notice less tool power.
- Never recharge a fully charged battery cartridge. Overcharging shortens the battery service life.
- Charge the battery cartridge with room temperature at 10 °C - 40 °C (50 °F - 104 °F). Let a hot battery cartridge cool down before charging it.
- Charge the battery cartridge if you do not use it for a long period (more than six months).

FUNCTIONAL DESCRIPTION

Installing or removing battery cartridge

⚠ CAUTION: Always switch off the tool before installing or removing of the battery cartridge.

⚠ CAUTION: Make sure that you lock the battery cover before use. Otherwise, mud, dirt, or water may cause damage to the product or the battery cartridge.

⚠ CAUTION: Always install the battery cartridge fully until the red indicator cannot be seen. If not, it may accidentally fall out of the tool, causing injury to you or someone around you.

⚠ CAUTION: Do not install the battery cartridge forcibly. If the cartridge does not slide in easily, it is not being inserted correctly.

NOTE: The tool does not work with only one battery cartridge.

To install the battery cartridge;

- Slide the battery cover locking lever and open the battery cover.
▶ **Fig.1:** 1. Battery cover 2. Battery cover locking lever
- Align the tongue on the battery cartridge with the slot on the mower then slide the cartridge until it locks in place with a little click. If you can see the red indicator on the upper side of the button, battery cartridge is not locked completely.

▶ **Fig.2:** 1. Battery cartridge

- Insert the lock key in the place shown in the figure as far as it will go.

▶ **Fig.3:** 1. Lock key

- Close the battery cover and push it until it is latched with the locking lever.

To remove the battery cartridge from the mower;

- Slide the battery cover locking lever and open the battery cover.
- Pull out the battery cartridge from the mower while sliding the button on the front of the cartridge.
- Pull out the lock key.
- Close the battery cover.

Tool / battery protection system

The tool is equipped with a tool/battery protection system. This system automatically cuts off power to the motor to extend tool and battery life. The tool will automatically stop during operation if the tool or battery is placed under one of the following conditions.

Overload protection

When the tool is operated in a manner that causes it to draw an abnormally high current, the tool automatically stops without any indication. In this situation, turn the tool off and stop the application that caused the tool to become overloaded. Then turn the tool on to restart.

Overheat protection

When the tool is overheated, the tool stops automatically. Let the tool cool down before turning the tool on again.





Overdischarge protection


When the battery capacity becomes low, the tool stops automatically. If the product does not operate even when the switches are operated, remove the batteries from the tool and charge the batteries.

Indicating the remaining battery capacity

▶ **Fig.4:** 1. Battery indicator 2. Check button

Press the check button to indicate the remaining battery capacities. The battery indicators correspond to each battery.

Battery indicator status		Remaining battery capacity
On	Off	
		50% - 100%
		20% - 50%


Battery indicator status		Remaining battery capacity
On	Off	
		0% - 20%

Indicating the remaining battery capacity

Only for battery cartridges with "B" at the end of the model number

► Fig.5: 1. Indicator lamps 2. Check button

Press the check button on the battery cartridge to indicate the remaining battery capacity. The indicator lamps light up for few seconds.

Indicator lamps			Remaining capacity	
Lighted	Off	Blinking		
■	□	▧		
■ ■ ■ ■				75% to 100%
■ ■ ■ □				50% to 75%
■ ■ □ □				25% to 50%
■ □ □ □				0% to 25%
▧ □ □ □				Charge the battery.
■ ■ □ □	↑ ↓	□ □ ■ ■	The battery may have malfunctioned.	

NOTE: Depending on the conditions of use and the ambient temperature, the indication may differ slightly from the actual capacity.

Switch action

⚠ WARNING: Before installing the battery cartridge, always check to see that the switch lever actuates properly and returns to the original position when released. Operating a tool with a switch that does not actuate properly can lead to loss of control and serious personal injury.

NOTE: The mower does not start without pressing the switch button even the switch lever is pulled.

NOTE: Mower may not start due to the overload when you try to mow long or dense grass at a time. Increase the mowing height in this case.

This mower is equipped with the interlock switch and handle switch. If you notice anything unusual with either of these switches, stop operation immediately and have them checked by your nearest Makita Authorized Service Center.

1. Install the battery cartridges. Insert the lock key into the interlock switch and then close the battery cover.

► Fig.6: 1. Battery cartridge 2. Lock key

2. Press the switch button and hold it.

3. Grab the upper handle and pull the switch lever.

► Fig.7: 1. Switch button 2. Switch lever

4. Release the switch button as soon as the motor starts running. The mower will continue to run until you release the switch lever.

5. Release the switch lever to stop the motor.

Adjusting the mowing height

⚠ WARNING: Never put your hand or leg under the mower body when adjusting the mowing height.

⚠ WARNING: Always make sure that the lever fits in the groove properly before operation.

The mowing height can be adjusted in the range of between 20 mm - 75 mm.

1. Remove the lock key.

2. Pull the mowing height adjusting lever to the outward of the mower body and move it to your desired mowing height.

► Fig.8: 1. Mowing height adjusting lever

NOTE: The mowing height figures should be used just as a guideline. Depending on the conditions of the lawn or the ground, the actual lawn height may become slightly different from the set height.

NOTE: Try a test mowing of grass in a less conspicuous place to get your desired height.

Grass level indicator

► Fig.9: 1. Grass level indicator

Grass level indicator shows the volume of mowed grass.

- When the grass basket is not full, the indicator floats during mowing.
- When the grass basket is full, the indicator does not float during mowing. In this case, stop mowing immediately and empty the basket. After emptying the basket, clean it so that its meshwork vents the air.

NOTE: This indicator is a rough guide. Depending on the conditions of inside of the basket, this indicator may not work properly.

ASSEMBLY

⚠ WARNING: Always be sure that the lock key and battery cartridge are removed before carrying out any work on the mower. Failure to remove the lock key and the battery cartridge may result in serious personal injury from accidental start-up.

⚠ WARNING: Never start the mower unless it is completely assembled. Operation of the tools in a partially assembled state may result in serious personal injury from accidental start-up.

Installing the battery cover

⚠ WARNING: Do not insert the lock key and battery cartridge before installing the battery cover. Failure to do so may cause a serious injury.

Install the battery cover completely before the operation. The battery cover protects the mower and battery cartridge from mud, dirt, and water.

1. Place the battery cover with the protrusions on the mower aligned to the holes on the battery cover.

► Fig.10: 1. Protrusion 2. Hole 3. Battery cover

2. Place your hands in the middle of the battery cover and push it.

► Fig.11

3. Before the first operation, check that the pivot point of the battery cover is attached properly. If the battery cover is installed correctly, it will not open until the battery cover locking lever is pulled.

► Fig.12: 1. Pivot point 2. Battery cover locking lever

Installing the handle

NOTICE: When installing handles, position the cords so that they are not caught by anything between the handles. If the cord is damaged, the mower switch may not work.

1. Slide the both ends of lower handle into the grooves of the mower then fully tighten the clamping screws.

► Fig.13: 1. Clamping screw 2. Lower handle

2. Align the screw holes of upper handle and lower handle. Secure them with the clamping screws and nuts.

► Fig.14: 1. Clamping nut 2. Clamping screw

NOTE: Hold the upper handle firmly so that it does not drop off your hand.

3. Attach the holders to the handle. Position the power supply cord as shown in the figure.

► Fig.15: 1. Holder

Removing or installing the mower blade

⚠ WARNING: Always remove the lock key and battery cartridge when removing or installing the blade. Failure to remove the lock key and battery cartridge may cause a serious injury.

⚠ WARNING: The blade coasts for a few seconds after releasing the switch. Do not start any operation until the blade comes to a complete stop.

⚠ WARNING: Always wear gloves when handling the blade.

To remove the mower blade, take the following steps.

1. Put the mower on its side so that the mowing height adjusting lever comes to the upper side.

2. To lock the blade rotation, insert a screwdriver or a similar tool into a hole on the base of the blade.

3. Turn the bolt counterclockwise with the wrench.

► Fig.16: 1. Mower blade 2. Screwdriver 3. Wrench

4. Remove the bolt, outer flange, mower blade, and inner flange in order.

► Fig.17: 1. Inner flange 2. Rotational direction arrow 3. Outer flange 4. Bolt 5. Mower blade

To install the mower blade, take the removal procedure in reverse.

⚠ WARNING: Install the blade carefully. It has a top/bottom facing. Place the blade so that the rotational direction arrow faces outward.

⚠ WARNING: Tighten the bolt clockwise firmly to secure the blade.

⚠ WARNING: Make sure that the blade and all the fixing parts are installed correctly and tightened securely.

⚠ WARNING: When you replace the blades, always follow the instructions provided in this manual.

Installing the grass basket

1. Remove the lock key.

2. Lift the rear guard of the mower body.

► Fig.18

3. Hook the grass basket on the groove of the mower body as shown in the figure.

► Fig.19: 1. Hook 2. Groove 3. Grass basket

OPERATION

Mowing

⚠ WARNING: Before mowing, clear away sticks and stones from mowing area. Furthermore, clear away any weeds from mowing area in advance.

⚠ WARNING: Always wear the safety goggles or safety glasses with side shields when operating the mower.

► Fig.20

Firmly hold the lawn mower handle with both hands when mowing.

The outside edges of the front wheels is the guideline for mowing width. Using the two front wheel outside edges as a guideline, mow in strips, overlapping by one half to one third the previous strip, to mow the lawn evenly.

Periodically check the grass basket for mowed grass. Empty the grass before it becomes full. Before every periodical check, be sure to stop the mower then remove the lock key and the battery cartridge.

NOTE: Using the mower with the grass basket full prevents smooth blade rotation and places an extra load on the motor, which may cause breakdown.

Mowing a long-grass lawn

Do not try to cut long grass all in one go. Instead, mow the lawn in some steps. Leave a day or two between mows until the lawn becomes evenly short.

NOTE: Mowing long grass to a short length all in one go may cause the grass to die. The cut grass may also block up inside of the mower body.

Emptying the grass basket

⚠ WARNING: To reduce a risk of accident, regularly check the grass basket for any damage or weakened strength. Replace the grass basket if necessary.

1. Release the switch lever.
2. Remove the lock key.
3. Lift the rear guard and take out the grass basket by holding the handle.

► **Fig.21:** 1. Rear guard 2. Handle

4. Empty the grass basket.

MAINTENANCE & STORAGE

⚠ WARNING: Always be sure that the lock key and battery cartridge are removed from the mower before storage or attempting to perform inspection or maintenance.

⚠ WARNING: Always remove the lock key when the mower is not in use. Store the lock key in a safe place out of reach of children.

⚠ WARNING: Wear gloves when performing inspection or maintenance.

NOTICE: Never use gasoline, benzine, thinner, alcohol or the like. Discoloration, deformation or cracks may result.

Maintenance

1. Remove the lock key. Store it in a safe place out of the reach of children.
2. Clean the mower using only a wet cloth. Do not spray or pour water on the mower when cleaning.
3. Put the mower on its side and clean grass clippings accumulated on the underside of mower deck.
4. Check all nuts, bolts, knobs, screws, fasteners etc. for tightness.
5. Inspect moving parts for damage, breakage, and wear. Damaged or missing parts should be repaired or replaced.

Storage

⚠ WARNING: When carrying or storing the mower, do not hold the folded handles but the front grip of the mower. Holding the folded handles may cause a serious injury or damage to the mower.

Before storing the mower, remove the battery cartridge from it.

Store mower indoors in a cool, dry and locked place. Don't store the mower and charger in locations where the temperature may reach or exceed 40 °C (104 °F).

► **Fig.22:** 1. Front grip 2. Rear grip

1. Loosen the clamping screws and expand the lower handle to both sides. Move down the handle forward. At this time, keep a firm grip on the lower handle so that the handle does not fall down to the far side from the mower body.

► **Fig.23:** 1. Clamping screw 2. Lower handle

2. Loosen the clamping nuts and pivot the upper handle back while expanding the both sides.

► **Fig.24:** 1. Clamping nut 2. Upper handle

3. Store the grass basket between the handle and the mower body.

► **Fig.25:** 1. Grass basket

NOTE: When putting the mower in the upright position, do not hold the handle but use the front grip of the mower.

To maintain product SAFETY and RELIABILITY, repairs, any other maintenance or adjustment should be performed by Makita Authorized or Factory Service Centers, always using Makita replacement parts.

TROUBLE SHOOTING

Before asking for repairs, conduct your own inspection first. If you find a problem that is not explained in the manual, do not attempt to dismantle the tool. Instead, ask Makita Authorized Service Centers, always using Makita replacement parts for repairs.

State of abnormality	Probable cause (malfunction)	Remedy
Mower does not start.	Two battery cartridges are not installed.	Install the charged battery cartridges.
	Battery problem (under voltage)	Recharge the battery cartridge. If recharging is not effective, replace battery cartridge.
	The lock key is not inserted.	Insert the lock key.
Motor stops running after a little use.	Battery's charge level is low.	Recharge the battery cartridge. If recharging is not effective, replace battery cartridge.
	Cutting height is too low.	Raise the cutting height.
Motor does not reach maximum RPM.	Battery cartridge is installed improperly.	Install the battery cartridge as described in this manual.
	Battery power is dropping.	Recharge the battery cartridge. If recharging is not effective, replace battery cartridge.
	The drive system does not work correctly.	Ask your local authorized service center for repair.
Cutting tool does not rotate: ⇒ stop the mower immediately!	Foreign object such as a branch is jammed near the blade.	Remove the foreign object.
	The drive system does not work correctly.	Ask your local authorized service center for repair.
Abnormal vibration: ⇒ stop the mower immediately!	Blade is imbalanced, excessively or unevenly worn.	Replace the blade.

OPTIONAL ACCESSORIES

⚠ CAUTION: These accessories or attachments are recommended for use with your Makita tool specified in this manual. The use of any other accessories or attachments might present a risk of injury to persons. Only use accessory or attachment for its stated purpose.

If you need any assistance for more details regarding these accessories, ask your local Makita Service Center.

- Mower blade
- Makita genuine battery and charger

NOTE: Some items in the list may be included in the tool package as standard accessories. They may differ from country to country.






SPECIFIKATIONER

Modell:		DLM431	
Klippbredd (knivdiameter)		430 mm	
Hastighet utan belastning		3 600 min ⁻¹	
Dimensioner (L x B x H)	vid användning	Max. 1 490 mm x 460 mm x 1 020 mm Min. 1 450 mm x 460 mm x 950 mm	
	vid förvaring (utan gräsupsamlare)	490 mm x 460 mm x 910 mm	
Märkspänning		36 V likström	
Standardbatterikassetter ⚠ Varning: Använd endast de angivna batterikassetterna.		BL1815N/BL1820/BL1820B	BL1830/BL1830B/BL1840/ BL1840B/BL1850/BL1850B/ BL1860B
Nettovikt		17,8 kg	18,3 kg

- På grund av vårt pågående program för forskning och utveckling kan dessa specifikationer ändras utan förvarning.
- Specifikationer och batterikassett kan variera mellan olika länder.
- Vikt, med batterikassett, i enlighet med EPTA-procedur 01/2003

Symboler

Följande visar symbolerna som används för utrustningen. Se till att du förstår innebörden innan du använder bormaskinen.

	Var extra försiktig och uppmärksam.
	Läs igenom bruksanvisningen.
	Fara! Se upp för flygande föremål.
	Avståndet mellan maskinen och åskådare måste vara minst 15 m.
	Placera aldrig dina händer eller fötter nära kniven under gräsklipparen. Knivarna fortsätter att rotera efter det att motorn stängts av.
	Ta ut säkerhetsnyckeln före kontroll, justering, rengöring, service, förvaring eller om gräsklipparen lämnas obevakad.
	Gäller endast inom EU Elektrisk utrustning eller batteripaket får inte kastas i hushållsavfallet! Enligt EU-direktiven som avser förbrukat elektrisk och elektronisk utrustning, batterier, ackumulatörer, förbrukade batterier och ackumulatörer, samt direktivens tillämpning enligt nationell lagstiftning, ska uttjänt elektrisk utrustning, batterier och batteripaket sorteras separat och lämnas till miljövänlig återvinning.

Avsedd användning

Maskinen är avsedd för gräsklippning.

Buller

Den normala bullernivån för A-belastning är bestämd enligt EN60335:

Ljudtrycksnivå (L_{pA}) : 80 dB (A)

Ljudeffektnivå (L_{WA}) : 93 dB (A)

Mättolerans (K): 3 dB (A)

Bullernivån vid arbete kan överstiga 80 dB (A).

Vibration

Det totala vibrationsvärdet (treaxlad vektorsumma) bestämt enligt EN60335:

Vibrationsemission (a_{h1}) : 2,5 m/s² eller lägre

Mättolerans (K): 1,5 m/s²

OBS: Det deklarerade vibrationsemissionsvärdet har uppmätts i enlighet med standardtestmetoden och kan användas för att jämföra en maskin med en annan.

OBS: Det deklarerade vibrationsemissionsvärdet kan också användas i en preliminär bedömning av exponering för vibration.

⚠ VARNING: Vibrationsemissionen under faktisk användning av maskinen kan skilja sig från det deklarerade emissionsvärdet, beroende på hur maskinen används.

⚠ VARNING: Var noga med att identifiera säkerhetsåtgärder för att skydda användaren, vilka är grundade på en uppskattning av graden av exponering för vibrationer under de faktiska användningsförhållandena, (ta, förutom avtryckartiden, med alla delar av användarcykeln i beräkningen, som till exempel tiden då maskinen är avstängd och när den går på tomgång).

EU-konformitetsdeklaration

Gäller endast inom EU

Makita försäkras att följande maskiner:

Maskinbeteckning: Batteridriven gräsklippare

Modellnr./-typ: DLM431

Följer följande EU-direktiv: 2000/14/EC, 2006/42/EC

De är tillverkade i enlighet med följande standard eller standardiseringsdokument: EN60335

Den tekniska dokumentationen i enlighet med 2006/42/EC finns tillgänglig från:

Makita, Jan-Baptist Vinkstraat 2, 3070, Belgium

Den bedömning av överensstämmelse som krävs av direktivet 2000/14/EC var i enlighet med Annex VI.

Anmält organ: TÜV Rheinland LGA Products GmbH

Am Grauen Stein 29 51105 Köln Germany

Identifieringsnummer 0197

Uppmått ljudeffektnivå: 93 dB (A)

Garanterad ljudeffektnivå: 94 dB (A)

1.12.2015



Yasushi Fukaya

Direktör

Makita, Jan-Baptist Vinkstraat 2, 3070, Belgium

VIKTIGA SÄKERHETSANVISNINGAR

⚠️ VARNING: Läs igenom alla säkerhetsvarningar och anvisningar. Underlåtenhet att följa varningar och instruktioner kan leda till elstöt, brand och/eller allvarliga personskador.

Spara alla varningar och instruktioner för framtida referens.

1. Sätt inte i nyckeln i gräsklipparen förrän den är klar att användas.
2. Barn ska övervakas så att de inte leker med gräsklipparen.
3. Låt aldrig gräsklipparen användas av barn eller av personer som inte känner till dessa anvisningar. Lokala bestämmelser kan ange en åldersgräns för användaren.
4. Använd aldrig gräsklipparen när personer (särskilt barn) eller djur finns i närheten.
5. Glöm inte att användaren är ansvarig för olyckor eller eventuell fara gentemot andra personer och deras egendom.
6. Bär alltid kraftiga skor och långbyxor när du använder gräsklipparen. Använd inte gräsklipparen barfota eller med öppna skor. Undvik att bära kläder eller smycken som sitter löst eller som har hängande snoddar eller band. De kan fångas upp av rörliga delar.
7. Använd endast gräsklipparen i dagsljus eller i god belysning.
8. Undvik att använda gräsklipparen i vått gräs.
9. Använd aldrig gräsklipparen i regn.
10. Användning och underhåll av batteri - Ladda endast med den batteriladdare som angetts av tillverkaren. En laddare som passar

en viss typ av batterikassett kan skapa risk för brand när den används tillsammans med en annan batterikassett.

- **Använd endast maskiner tillsammans med tillhörande batterikassetter.** Användning av andra batterikassetter kan skapa risk för personskada och brand.

- **När batterikassetten inte används bör den hållas borta från andra metallföremål som till exempel gem, mynt, nycklar, spik, skruv eller andra små metallföremål som kan skapa anslutning från en terminal till en annan.** Kortslutning av batteripoler kan orsaka brännskador eller brand.

- **Vid felaktig användning kan vätska komma ur batteriet. Undvik kontakt. Spola med vatten om kontakt ändå uppstår. Om vätskan kommer i kontakt med ögonen bör läkare uppsökas.** Vätska från batteriet kan orsaka irritation på huden eller ge brännskador.

11. **Håll alltid stadigt i handtaget.**
12. **Se alltid till att ha balans på slutningar.**
13. **Gå, spring aldrig.**
14. **Greppa inte de oskyddade knivbladen eller kniveggarna när du tar upp eller håller i gräsklipparen.**
15. **Fysiskt tillstånd – Använd inte gräsklipparen under påverkan av droger, alkohol eller mediciner.**
16. **Håll händer och fötter borta från rörliga knivar. Försiktighet – Knivarna stannar inte omedelbart när gräsklipparen stängs av.**
17. **Använd endast tillverkarens originalknivar som specificerats i denna bruksanvisning.**
18. **Kontrollera före användning att knivarna inte är spruckna eller skadade. Byt omedelbart ut en skadad eller sprucken kniv.**
19. **Kontrollera att det inte finns några personer i området före gräsklippningen. Stäng av gräsklipparen om någon närmar sig.**
20. **Ta bort främmande föremål såsom stenar, kablar, flaskor, ben och långa pinnar från arbetsområdet innan gräsklippningen för att undvika personskador eller skada på gräsklipparen.**
21. **Stanna maskinen omedelbart om du lägger märke till något onormalt. Stäng av gräsklipparen och ta ut nyckeln. Kontrollera sedan gräsklipparen.**
22. **Försök aldrig att justera hjulhöjden när gräsklipparen är igång.**
23. **Släpp säkerhetsgreppet och vänta tills kniven har stannat innan du korsar en uppfart, gångväg, väg eller annat grustäckat område. Ta också ut nyckeln om du lämnar gräsklipparen, sträcker dig för att plocka upp eller ta bort något som ligger i vägen, eller om du på något annat sätt distraheras från arbetet.**
24. **Föremål som träffas av gräsklipparens kniv kan orsaka allvarliga personskador. Gräsmattan ska alltid undersökas väl och röjas från föremål före varje klippning.**
25. **Följ dessa steg om gräsklipparen slår emot ett främmande föremål:**

- Stanna gräsklipparen, släpp säkerhetsgreppet och vänta tills kniven stannat helt.
 - Ta ut nyckeln och batterikassetten.
 - Kontrollera gräsklipparen grundligt så att inte några skador har uppstått.
 - Byt ut kniven om den är skadad på något sätt. Reparera eventuella skador innan du startar om och återupptar användningen av gräsklipparen.
26. Kontrollera gräsuppsamlaren regelbundet efter slitage eller försämring. Se alltid till att gräsuppsamlaren är tom när maskinen förvaras. Byt ut gräsuppsamlaren om den är sliten mot en ny från fabriken för säker användning.
 27. Var mycket försiktig när du vänder gräsklipparen eller drar den mot dig.
 28. Stoppa knivarna om gräsklipparen måste lutas för att transporteras över gräsfria ytor och när maskinen transporteras till och från området som ska klippas.
 29. Använd aldrig gräsklipparen med skadade skydd eller utan säkerhetsutrustning, t. ex. stenskydd och/eller gräsuppsamlare, på plats.
 30. Starta gräsklipparen omsorgsfullt enligt anvisningarna och med fötterna på säkert avstånd från knivarna.
 31. Luta inte gräsklipparen när du startar motorn, såvida den inte måste lutas för att startas. I så fall ska den inte lutas mer än vad som är absolut nödvändigt och lyft endast den delen som är längst bort från användaren.
 32. Starta inte gräsklipparen när du står framför utkastöppningen.
 33. Placera inte händer och fötter i närheten av eller under roterande delar. Stå alltid långt ifrån utkastöppningen.
 34. Transportera inte gräsklipparen medan den är igång.
 35. Stanna gräsklipparen och ta bort skydsanordningen. Se till att alla rörliga delar har stannat helt
 - när du lämnar gräsklipparen,
 - innan du tar bort något som fastnat eller rensar utkastningsrännan,
 - före kontroll, rengöring eller arbete på gräsklipparen,
 - när du slagit emot ett främmande föremål.
 Inspektera gräsklipparen efter skador och utför reparationer innan maskinen startas om och används på nytt.
 36. Om gräsklipparen börjar vibrera på ett onormalt sätt (kontrollera omedelbart)
 - kontrollera om skada har uppstått,
 - byt ut eller reparera skadade delar,
 - kontrollera och dra åt lösa delar.
 37. Var försiktig vid justering av gräsklipparen för att undvika att fastna med fingrarna mellan knivar i rörelse och fasta maskindelar.
 38. Klipp långs med sluttningar, aldrig uppåt och nedåt. Var särskilt försiktig vid byte av riktning i sluttande terräng. Klipp inte mycket branta sluttningar.
 39. Spola inte av maskinen med en slang, undvik att få in vatten i motorn och elektriska kopplingar.

40. Kontrollera knivens monteringsbult regelbundet så att den är ordentligt åtdragen.
41. Se till att alla muttrar, bultar och skruvar är åtdragna för att alltid bibehålla utrustningen i säkert arbetsskick.
42. Låt alltid gräsklipparen svalna innan du ställer in den för förvaring.
43. Vid underhåll av knivarna bör du vara uppmärksam på att de fortfarande kan snurra även om strömkällan är avstängd.
44. Byt ut slitna eller skadade delar för säker användning. Använd endast originaldelar och tillbehör.

SPARA DESSA ANVISNINGAR.

⚠ VARNING: GLÖM INTE att också fortsättningsvis strikt följa säkerhetsanvisningarna för maskinen även efter att du blivit van att använda den.

Vid **FELAKTIG HANTERING** av maskinen eller om inte säkerhetsanvisningarna i denna bruksanvisning följs kan följden bli allvarliga personskador.

Viktiga säkerhetsanvisningar för batterikassetten

1. Innan batterikassetten används ska alla instruktioner och varningsmärken på (1) batteriladdaren, (2) batteriet och (3) produkten läsas.
2. Montera inte isär batterikassetten.
3. Om drifttiden blivit avsevärt kortare ska användningen avbrytas omedelbart. Det kan uppstå överhettning, brännskador och t o m en explosion.
4. Om du får elektrolyt i ögonen ska de sköljas med rent vatten och läkare uppsöks omedelbart. Det finns risk för att synen förloras.
5. Kortslut inte batterikassetten.
 - (1) Rör inte vid polerna med något strömförande material.
 - (2) Undvik att förvara batterikassetten tillsammans med andra metallobjekt som t.ex. spikar, mynt o.s.v.
 - (3) Skydda batteriet mot vatten och regn. En batterikortslutning kan orsaka ett stort strömflöde, överhettning, brand och maskinhaveri.
6. Förvara inte maskinen och batterikassetten på platser där temperaturen kan nå eller överstiga 50 °C.
7. Bränn inte upp batterikassetten även om den är svårt skadad eller helt utsliten. Batterikassetten kan explodera i öppen eld.
8. Var försiktig så att du inte råkar tappa batteriet och utsätt det inte för stötar.
9. Använd inte ett skadat batteri.
10. De medföljande litiumjonbatterierna är föremål för kraven i gällande lagstiftning för farligt gods. För kommersiella transporter (av t.ex. tredje parter som speditönsfirmor) måste de särskilda transportkrav som anges på emballaget och etiketter iakttagas.

För att förbereda den produkt som ska avsändas krävs att du konsulterar en expert på riskmaterial. Var också uppmärksam på att det i ditt land kan finnas ytterligare föreskrifter att följa. Tejpa över eller maskera blottade kontakter och packa batteriet på sådant sätt att det inte kan röra sig fritt i förpackningen.

11. Följ lokala föreskrifter beträffande avfallshandling av batteriet.

SPARA DESSA ANVISNINGAR.

⚠ FÖRSIKTIGT: Använda endast äkta Makita-batterier. Användning av oäkta Makita-batterier eller batterier som har manipulerats kan leda till person- och utrustningsskador eller till att batteriet fattar eld. Det upphäver också Makitas garanti för verktyget och laddaren.

Tips för att uppnå batteriets maximala livslängd

1. Ladda batterikassetten innan den är helt urladdad. Stanna alltid maskinen och ladda batterikassetten när du märker att maskinen blir svagare.
2. Ladda aldrig en fulladdad batterikassett. Överladdning förkortar batteriets livslängd.
3. Ladda batterikassetten vid en rumstemperatur på 10 °C - 40 °C. Låt en varm batterikassett svalna innan den laddas.
4. Ladda batterikassetten om du inte har använt den på länge (mer än sex månader).

FUNKTIONSBESKRIVNING

Montera eller demontera batterikassetten

⚠ FÖRSIKTIGT: Stäng alltid av maskinen innan du monterar eller tar bort batterikassetten.

⚠ FÖRSIKTIGT: Se till att du låser batterikåpan före användning. I annat fall kan lera, smuts eller vatten orsaka skada på produkten eller batterikassetten.

⚠ FÖRSIKTIGT: För alltid in batterikassetten helt tills den röda indikatorn inte längre syns. I annat fall kan batterikassetten lossna oväntat från maskinen och skada dig eller någon annan.

⚠ FÖRSIKTIGT: Montera inte batterikassetten med våld. Om kassetten inte lätt glider på plats är den felaktigt insatt.

OBS: Maskinen fungerar inte med endast en batterikassett.

För att montera batterikassetten.

1. Skjut på batterikåpan's läsreglage och öppna batterikåpan.
- **Fig.1:** 1. Batterikåpa 2. Batterikåpan's läsreglage

2. Rikta in batterikassetten's tunga mot öppningen på gräsklipparen. Skjut sedan in kassetten tills den låser fast med ett litet klick. Om du kan se den röda indikatorn på knappens ovansida är inte batterikassetten låst ordentligt.

► **Fig.2:** 1. Batterikassett

3. Sätt i säkerhetsnyckeln på platsen som visas i figuren, så långt det går.

► **Fig.3:** 1. Säkerhetsnyckel

4. Stäng batterikåpan och tryck på den tills den sitter fast med läsreglaget.

Ta bort batterikassetten från gräsklipparen;

1. Skjut på batterikåpan's läsreglage och öppna batterikåpan.
2. Dra ur batterikassetten från gräsklipparen samtidigt som du skjuter på knappen på kassetten's framsida.
3. Dra ut säkerhetsnyckeln.
4. Stäng batterikåpan.

Skyddssystem för maskinen/ batteriet

Maskinen är utrustad med ett skyddssystem för maskinen-/batteriet. Detta system bryter automatiskt strömmen till motorn för att förlänga maskinens och batteriets livslängd. Maskinen stoppar automatiskt under användningen om maskinen eller batteriet hamnar i en av följande situationer. Indikatorerna tänds i vissa situationer.

Överbelastningsskydd

Om maskinen används på ett sätt som gör att den drar onormalt mycket ström kan den stoppas automatiskt utan någon varning. När detta sker stänger du av maskinen och upphör med arbetet som gjorde att maskinen överbelastades. Starta därefter upp maskinen igen.

Överhettningsskydd

När maskinen överhettas stoppar den automatiskt. Låt maskinen svalna innan du startar den igen.

Överurladdningsskydd

När batteriets kapacitet är låg stoppar maskinen automatiskt. Om produkten inte fungerar trots att knapparna fungerar som de ska tar du bort batterierna från maskinen och laddar dem.

Indikerar kvarvarande batterikapacitet

► **Fig.4:** 1. Batteriindikator 2. Kontrollknapp

Tryck på kontrollknappen för att se kvarvarande batterikapacitet. Batteriindikeringarna motsvarar varje batteri.

Batteriindikatorstatus		Kvarvarande batterikapacitet
På	Av	
		50% - 100%
		20% - 50%
		0% - 20%

Indikerar kvarvarande batterikapacitet

Gäller endast för batterikassetter med ett "B" på slutet i modellnumret

► Fig.5: 1. Indikatorlampor 2. Kontrollknapp

Tryck på kontrollknappen på batterikassetten för att se kvarvarande batterikapacitet. Indikatorlamporna lyser i ett par sekunder.

Indikatorlampor			Kvarvarande kapacitet
Upplyst	Av	Blinkar	
			75% till 100%
			50% till 75%
			25% till 50%
			0% till 25%
			Ladda batteriet.
			Batteriet kan ha skadats.

OBS: Beroende på användningsförhållanden och den omgivande temperaturen kan indikationen skilja sig lätt från den faktiska batterikapaciteten.

Avtryckarens funktion

⚠ VARNING: Innan du monterar batterikassetten ska du alltid kontrollera att säkerhetsgreppet fungerar korrekt och går tillbaka till ursprungsläget när det släpps. Att använda en maskin med ett felaktigt säkerhetsgrepp kan leda till förlorad kontroll och allvarlig personskada.

OBS: Gräsklipparen startar inte utan att startknappen trycks in även om du drar in säkerhetsgreppet.

OBS: Det kan hända att gräsklipparen inte startar på grund av överbelastning när du försöker klippa långt eller tätt gräs. Öka i sådant fall klipphöjden.

Denna gräsklippare är utrustad med en spärrbrytare och handtagsbrytare. Om du lägger märke till något onormalt med någon av dessa brytare ska du genast sluta använda maskinen och låta ditt närmaste auktoriserade servicecenter för Makita kontrollera dem.

1. Sätt i batterikassetten. Sätt i säkerhetsnyckeln i spärrbrytaren och stäng batterikåpan.

► Fig.6: 1. Batterikassett 2. Säkerhetsnyckel

2. Tryck in och håll inne startknappen.

3. Greppa tag i det övre handtaget och dra i säkerhetsgreppet.

► Fig.7: 1. Startknapp 2. Säkerhetsgrepp

4. Släpp startknappen så fort motorn startar.

Gräsklipparen kommer fortsätta att gå tills du släpper säkerhetsgreppet.

5. Släpp säkerhetsgreppet för att stanna motorn.

Justering av klipphöjden

⚠ VARNING: Placera aldrig handen eller foten under gräsklipparen när du justerar klipphöjden.

⚠ VARNING: Kontrollera alltid att spaken sitter ordentligt i spåret före användning.

Klipphöjden kan justeras mellan 20 mm och 75 mm.

1. Ta ut säkerhetsnyckeln.

2. Dra justeringsspaken för klipphöjd ut från gräsklipparen och flytta den till önskad klipphöjd.

► Fig.8: 1. Justeringsspak för klipphöjd

OBS: Klipphöjdsiffrorna bör endast användas som en riktlinje. Beroende på gräsmattans eller underlagets förhållanden kan den verkliga klipphöjden skilja sig något från den inställda höjden.

OBS: Gör en testklippning i ett mindre synligt område för att få önskad höjd.

Indikator för gräsnivå

► Fig.9: 1. Indikator för gräsnivå

Indikatorn för gräsnivå visar mängden gräs som har klippts.

- Om gräsuppsamlaren inte är full flyter indikatorn under klippningen.
- Om gräsuppsamlaren är full flyter inte indikatorn under klippningen. Om detta är fallet stoppar du omedelbart klippningen och tömmer uppsamlaren. När du har tömt uppsamlaren rengör du den så att dess gallernät släpper igenom luft.

OBS: Denna indikator ger en grov uppskattning. Beroende på förhållandena inuti uppsamlaren fungerar eventuellt inte denna indikator på rätt sätt.

MONTERING

⚠ VARNING: Se alltid till att ta ut säkerhetsnyckeln och batterikassetten innan du utför något arbete på gräsklipparen. Underlåtelse att ta ut säkerhetsnyckeln och batterikassetten kan leda till allvarlig personskada på grund av oavsiktlig start.

⚠ VARNING: Starta aldrig gräsklipparen om den inte är komplett monterad. Användning av en delvis monterad maskin kan leda till allvarlig personskada på grund av oavsiktlig start.

Montera batterikåpan

⚠ VARNING: Sätt inte i säkerhetsnyckeln och batterikassetten innan du monterat batterikåpan. Om du gör detta kan det orsaka allvarlig personskada.

Montera batterikåpan helt innan användning. Batterikåpan skyddar gräsklipparen och batterikassetten från lera, smuts och vatten.

1. Placera batterikåpan med gräsklipparens utsprång i linje med batterikåpanns hål.

► **Fig.10:** 1. Utsprång 2. Hål 3. Batterikåpa

2. Placera händerna mitt på batterikåpan och tryck på den.

► **Fig.11**

3. Innan du använder maskinen för första gången ska du kontrollera att batterikåpanns vridpunkter är rätt monterade. Om batterikåpan har monterats korrekt öppnas den inte förrän dess låsreglage dras.

► **Fig.12:** 1. Vridpunkt 2. Batterikåpanns låsreglage

Montera handtaget

OBSERVERA: Vid montering av handtagen ska kablarna placeras så att de inte fångas in av någonting mellan handtagen. Om kabeln är skadad kanske inte gräsklipparens startknapp fungerar.

1. Skjut in båda ändar av det nedre handtaget i gräsklipparens spår och dra sedan åt låsskruvarna.

► **Fig.13:** 1. Låsskruv 2. Nedre handtaget

2. Rikta in det övre handtagets skruvhål med hålen i det nedre handtaget. Säkra dem med låsskruvarna och spännmuttrarna.

► **Fig.14:** 1. Spännmutter 2. Låsskruv

OBS: Håll det övre handtaget i ett fast grepp så att det inte glider ur handen.

3. Fäst hållarna till handtaget. Placera strömkabeln enligt figuren.

► **Fig.15:** 1. Hållare

Ta bort eller montera gräsklipparkniven

⚠ VARNING: Ta alltid ut säkerhetsnyckeln och batterikassetten när du tar bort eller monterar kniven. Underlåtelse att ta ut säkerhetsnyckeln och batterikassetten kan leda till allvarlig skada.

⚠ VARNING: Kniven snurrar i några sekunder efter att säkerhetsgreppet har släppts. Påbörja inget arbete med kniven förrän den har stannat helt.

⚠ VARNING: Bär alltid handskar när du hanterar kniven.

Ta bort gräsklipparkniven genom att utföra följande:

1. Placera gräsklipparen på sidan så att justerings-spaken för klipphöjd är vänd uppåt.

2. Lås knivens rotation genom att sätta in en skruvmejsel eller liknande i hålet längst in på kniven.

3. Vrid bulten moturs med nyckeln.

► **Fig.16:** 1. Gräsklipparkniv 2. Skruvmejsel 3. Nyckel

4. Ta bort bulten, den yttre flänsen, gräsklipparkniven och den inre flänsen i denna ordning.

► **Fig.17:** 1. Inre fläns 2. Rotationsriktningsspil 3. Yttre fläns 4. Bult 5. Gräsklipparkniv

Montera gräsklipparkniven genom att följa borttagningsproceduren i omvänd ordning.

⚠ VARNING: Montera kniven försiktigt. Den har en sida som ska vara uppåt och en som ska vara nedåt. Placera kniven så att rotationsriktningsspielen är riktad utåt.

⚠ VARNING: Dra åt bulten medurs ordentligt för att fästa kniven.

⚠ VARNING: Se till att kniven och alla fixeringsdelarna monterats korrekt och dras åt ordentligt.

⚠ VARNING: När du byter ut knivarna ska du alltid följa anvisningarna i denna bruksanvisning.

Montera gräsuppsamlare

1. Ta ut säkerhetsnyckeln.

2. Lyft det bakre skyddet på gräsklipparen.

► **Fig.18**

3. Haka fast gräsuppsamlaren i spåren på gräsklipparen enligt figuren.

► **Fig.19:** 1. Krok 2. Spår 3. Gräsuppsamlare

ANVÄNDNING

Gräsklippning

⚠ VARNING: Före gräsklippningen ska alla pinnar och stenar i klippområdet tas bort. Ta också bort ogräs i förväg.

⚠ VARNING: Bär alltid korgglasögon eller skyddsglasögon med sidoskydd när du använder gräsklipparen.

► Fig.20

Håll stadigt i gräsklipparhandtaget med båda händerna vid gräsklippningen.

Framhjulens ytterkanter är klippbreddens riktlinje. För att klippa gräsmattan jämnt ska ytterkanterna på framhjulens användas som en riktlinje, gräsmattan klippas i remсор och överlappas med hälften till en tredjedel av föregående remsa.

Kontrollera då och då att gräsupsamlaren inte är full. Töm gräsupsamlaren innan den är full. Före varje regelbunden kontroll ska gräsklipparen stängas av och säkerhetsnyckeln och batterikassetten tas ut.

OBS: Användning av gräsklipparen med en full gräsupsamlare förhindrar smidig knivrotation och lägger en extra belastning på motorn, vilket kan orsaka motorstopp.

Klippning av högt gräs

Försök inte att klippa högt gräs på en och samma gång. Istället klipper du gräsmattan i omgångar. Klipp med en eller två dagars mellanrum tills gräsmattan är jämnt klippt.

OBS: Att klippa högt gräs kort på en och samma gång kan leda till att gräset dör. Det klippta gräset kan också täppa igen undersidan av gräsklipparen.

Tömma gräsupsamlaren

⚠ VARNING: För att undvika risken för olyckor ska gräsupsamlaren kontrolleras regelbundet så att skada eller försvagning inte har uppstått. Byt ut gräsupsamlaren om så krävs.

1. Släpp säkerhetsgreppet.
2. Ta ut säkerhetsnyckeln.
3. Lyft det bakre skyddet och ta ut gräsupsamlaren med hjälp av handtaget.
► Fig.21: 1. Bakre skydd 2. Handtag
4. Töm gräsupsamlaren.

UNDERHÅLL OCH FÖRVARING

⚠ VARNING: Se alltid till att säkerhetsnyckeln och batterikassetten tas ut från gräsklipparen före förvaring, kontroll eller underhåll.

⚠ VARNING: Ta alltid ut säkerhetsnyckeln när gräsklipparen inte används. Förvara säkerhetsnyckeln på en säker plats utom räckhåll för barn.

⚠ VARNING: Bär handskar vid kontroll eller underhåll.

OBSERVERA: Använd inte bensen, förtunningsmedel, alkohol eller liknande. Missfärgning, deformation eller sprickor kan uppstå.

Underhåll

1. Ta ut säkerhetsnyckeln. Förvara den på en säker plats utom räckhåll för barn.
2. Rengör gräsklipparen med en våt trasa. Spruta eller håll inte vatten på gräsklipparen vid rengöring.
3. Placera gräsklipparen på sidan och ta bort avklippt gräs som har samlats på undersidan av gräsdäcket.
4. Kontrollera åtdragningen av alla muttrar, bultar, vred, skruvar, fästnanordningar osv.
5. Kontrollera om klippdelar är skadade, trasiga eller utslitna. Skadade eller saknade delar bör repareras eller bytas ut.

Förvaring

⚠ VARNING: När du bär eller förvarar gräsklipparen ska du inte hålla i de hopvikta handtagen, utan i det främre handtaget på gräsklipparen. Att hålla i de hopvikta handtagen kan leda till allvarlig personskada eller att gräsklipparen skadas.

Batterikassetten ska tas ut innan gräsklipparen förvaras.

Förvara gräsklipparen inomhus på en kall, torr och låst plats. Förvara inte gräsklipparen och laddaren på platser där temperaturen kan nå eller överstiga 40 °C.

► Fig.22: 1. Främre handtaget 2. Bakre handtaget

1. Lossa låsskruvarna och dra ut det nedre handtaget åt båda sidor. För handtaget framåt. Håll nu ett fast grepp i det nedre handtaget så att det inte faller ned till gräsklipparens bortsida.
► Fig.23: 1. Låsskruv 2. Nedre handtaget
2. Lossa spännmuttrarna och vrid tillbaka det övre handtaget samtidigt som du drar det utåt åt båda sidor.
► Fig.24: 1. Spännmutter 2. Övre handtaget
3. Förvara gräsupsamlaren mellan handtaget och gräsklipparen.
► Fig.25: 1. Gräsupsamlare

OBS: När du placerar gräsklipparen i upprätt läge ska du inte hålla i handtaget, utan använda gräsklipparens främre handtag.

För att upprätthålla produktens SÄKERHET och TILLFÖRLITLIGHET bör allt underhålls- och justeringsarbete utföras av ett auktoriserat Makita servicecenter och med reservdelar från Makita.

FELSÖKNING

Innan du ber om reparation ska du först utföra en egen kontroll. Om du hittar ett problem som inte finns förklarat i bruksanvisningen ska du inte försöka att ta isär maskinen. Fråga istället ett auktoriserad servicecenter för Makita, och använd alltid reservdelar från Makita för reparationer.

Feltillstånd	Trolig orsak (felfunktion)	Åtgärd
Gräsklipparen startar inte.	Två batterikassetter är inte insatta.	Sätt i de laddade batterikassetterna.
	Batteriproblem (underspänning)	Ladda batterikassetten på nytt. Om laddning inte hjälper byter du ut batterikassetten.
	Säkerhetsnyckeln är inte i.	Sätt i säkerhetsnyckeln.
Motorn stannar efter en kort stunds användning.	Batterinivån är låg.	Ladda batterikassetten på nytt. Om laddning inte hjälper byter du ut batterikassetten.
	Klipphöjden är för låg.	Höj klipphöjden.
Motorn når inte det maximala varvtalet.	Batterikassetten är felaktigt insatt.	Sätt i batterikassetten enligt anvisningarna i denna bruksanvisning.
	Batterinivån sjunker.	Ladda batterikassetten på nytt. Om laddning inte hjälper byter du ut batterikassetten.
	Drivsystemet fungerar inte som det ska.	Lämna in till ditt lokala auktoriserade servicecenter för reparation.
Klippverktygen roterar inte: ⇒ stoppa gräsklipparen omedelbart!	Ett främmande föremål som t.ex. en gren har fastnat nära kniven.	Ta bort det främmande föremålet.
	Drivsystemet fungerar inte som det ska.	Lämna in till ditt lokala auktoriserade servicecenter för reparation.
Onormal vibration: ⇒ stoppa gräsklipparen omedelbart!	Kniven är obalanserad, överdrivet eller ojämnt utsliten.	Byt ut kniven.

VALFRIA TILLBEHÖR

⚠ FÖRSIKTIGT: Följande tillbehör eller tillsatser rekommenderas för användning med den Makita-maskin som denna bruksanvisning avser. Om andra tillbehör eller tillsatser används kan det uppstå risk för personskador. Använd endast tillbehören eller tillsatserna för de syften de är avsedda för.

Kontakta ditt lokala Makita servicecenter om du behöver ytterligare information om dessa tillbehör.

- Gräsklipparkniv
- Makitas originalbatteri och laddare

OBS: Några av tillbehören i listan kan vara inkluderade i maskinpaketet som standardtillbehör. De kan variera mellan olika länder.



TEKNISKE DATA

Modell:		DLM431	
Skjærebredde (knivdiameter)		430 mm	
Hastighet uten belastning		3 600 min ⁻¹	
Mål (L x B x H)	ved bruk	Maks. 1 490 mm x 460 mm x 1 020 mm Min. 1 450 mm x 460 mm x 950 mm	
	ved lagring (uten gresskurven)	490 mm x 460 mm x 910 mm	
Nominell spenning		DC 36 V	
Standard batteriinnsetts(er) ⚠️ Advarsel: Bruk kun batteriinnsettsen(e) som beskrives her.		BL1815N/BL1820/BL1820B	BL1830/BL1830B/BL1840/ BL1840B/BL1850/BL1850B/ BL1860B
Nettovekt		17,8 kg	18,3 kg

- På grunn av vårt kontinuerlige forsknings- og utviklingsprogram kan spesifikasjonene som oppgis i dette dokumentet endres uten varsel.
- Spesifikasjoner og batteriinnsetts kan variere fra land til land.
- Vekt, med batteriinnsetts, i henhold til EPTA-prosedyre 01/2003

Symboler

Nedenfor ser du symbolene som brukes for dette utstyret. Forviss deg om at du forstår hva de betyr, før du begynner å bruke maskinen.

	Vær spesielt forsiktig og oppmerksom.
	Les bruksanvisningen.
	Vær oppmerksom på at objekter kan bli kastet ut.
	Avstanden mellom maskinen og andre personer enn operatøren må være minst 15 m.
	Plasser aldri hender og føtter nær bladene under gressklipperen. Knivene fortsetter å rotere etter at motoren er slått av.
	Fjern låsenøkkel før gressklipperen inspiseres, justeres, rengjøres, mottar service, forlages og oppbevares.
	Kun for EU-land Kast aldri elektrotstyr eller batteripakker i husholdningsavfallet! I henhold til EU-direktivene om kasserte elektriske og elektroniske produkter, og om batterier og akkumulatører og brukte batterier og akkumulatører og direktivens iverksettning i nasjonal rett, må elektriske produkter og batterier og batteripakker som ikke lenger skal brukes, samles separat og returneres til et miljøvennlig gjenvinningsanlegg.

Riktig bruk

Denne maskinen er kun laget for gressklipping.

Støy

Typisk A-vektet lydtrykknivå er bestemt i henhold til EN60335:

Lydtrykknivå (L_{pA}) : 80 dB (A)
Lydeffektnivå (L_{WA}) : 93 dB (A)
Usikkerhet (K): 3 dB (A)

Støynivået under arbeid kan overskride 80 dB (A).

Vibrasjoner

Den totale vibrasjonsverdien (triaksial vektorsum) bestemt i henhold EN60335:

Genererte vibrasjoner (a_n) : 2,5 m/s² eller mindre
Usikkerhet (K): 1,5 m/s²

MERK: Den angitte verdien for de genererte vibrasjonene er målt i samsvar med standardtestmetoden og kan brukes til å sammenlikne et verktøy med et annet.

MERK: Den angitte verdien for de genererte vibrasjonene kan også brukes til en foreløpig vurdering av eksponeringen.

⚠️ ADVARSEL: De genererte vibrasjonene ved faktisk bruk av elektroverktøyet kan avvike fra den angitte vibrasjonsverdien, avhengig av hvordan verktøyet brukes.

⚠️ ADVARSEL: Sørg for å identifisere vernetiltak for å beskytte operatøren, som er basert på et estimat av eksponeringen under de faktiske bruksforholdene (idet det tas hensyn til alle deler av driftssyklusen, dvs. hvor lenge verktøyet er slått av, hvor lenge det går på tomgang og hvor lenge startbryteren faktisk holdes trykket).

EF-samsvarserklæring

Gjelder kun for land i Europa

Makita erklærer at følgende maskin(er):

Maskinens bruksområde: Batteridrevet gressklipper
Modellnr./type: DLM431

Samsvarer med følgende europeiske direktiver:

2000/14/EC, 2006/42/EC

De er produsert i henhold til følgende standarder eller standardiserte dokumenter: EN60335
Den tekniske filen i samsvar med 2006/42/EC er tilgjengelig fra:

Makita, Jan-Baptist Vinkstraat 2, 3070, Belgia

Samsvarsvurderingen som er påkrevd i henhold til

direktiv 2000/14/EC ble utført i samsvar med vedlegg VI.

Rapportinstans: TÜV Rheinland LGA Products GmbH

Am Grauen Stein 29 51105 Köln Tyskland

Identifikasjonsnummer 0197

Målt lydeffektnivå: 93 dB (A)

Garantert lydeffektnivå: 94 dB (A)

1.12.2015

Yasushi Fukaya

Direktør

Makita, Jan-Baptist Vinkstraat 2, 3070, Belgia

VIKTIGE

SIKKERHETSINSTRUKSJONER

⚠ ADVARSEL: Les alle sikkerhetsadvarslene og alle instruksjonene. Hvis du ikke følger alle advarslene og instruksjonene som er oppført nedenfor, kan det føre til elektriske støt, brann og/eller alvorlige helseskader.

Oppbevar alle advarsler og instruksjoner for senere bruk.

1. Ikke sett nøkkelen i gressklipperen før den er klar til bruk.
2. Barn skal holdes under tilsyn for å sikre at de ikke leker med gressklipperen.
3. La aldri barn eller personer som ikke er kjent med denne bruksanvisningen bruke gressklipperen. Lokale bestemmelser kan omfatte aldersgrenser for bruk av utstyret.
4. Aldri bruk gressklipperen mens uvedkommende (særlig barn og kjæledyr) er tilstede.
5. Vær oppmerksom på at operatøren eller brukeren er ansvarlig for ulykker eller skader som berører andre personer eller deres eiendom.
6. Bruk alltid solid fottey og lange benklær når gressklipperen brukes. Ikke bruk gressklipperen barbeint eller med åpne sandaler. Unngå klær og smykker som er løse eller har hengende snorer eller bånd. De kan sette seg fast i bevegelige deler.
7. Gressklipperen skal kun brukes i dagslys eller ved god kunstig belysning.
8. Unngå å bruke gressklipperen på vått gress.
9. Aldri bruk gressklipperen i regn.

10. Bruk og vedlikehold av batteridrevne maskiner
- Lad opp kun med laderen som er spesifisert av produsenten. En lader som passer til ett type batteri, kan være brannfarlig når den brukes med et annen batteri.
- Væske som kommer ut av batteriet, kan føre til irritasjon eller brannskader. Elektriske verktøy skal kun brukes med de angitte batteriene.
- Når batteriet ikke er i bruk, må du holde det borte fra andre metallgjenstander, for eksempel binderser, mynter, nøkler, spiker, skruer eller andre små metallgjenstander som kan skape en forbindelse fra en pol og til den andre. Hvis batteripolene kortslyttes, kan du få brannår, eller det kan begynne å brenne.
- Hvis batteriet utsettes for hardhendt bruk, kan det lette ut væske fra batteriet. Hvis du kommer i kontakt med batterivæsken, må du skylle med vann. Hvis du får batterivæske i øynene, må du i tillegg oppsøke lege. Væske som kommer ut av batteriet, kan forårsake irritasjon eller forbrenninger.
11. Hold alltid godt fast i håndtaket.
12. Pass på at du har godt fotfeste i skråninger.
13. Gå, ikke løp.
14. Ikke grip tak i skjæreblader eller skjærekanter når du plukker opp eller holder i gressklipperen.
15. Fysisk form - Bruk ikke gressklipperen under påvirkning av narkotika, alkohol eller noen medikamenter.
16. Hold hender og føtter i god avstand fra de roterende bladene. Forsiktig - knivene fortsetter å rotere etter at gressklipperen er slått av.
17. Bruk kun produsentens originale blader som spesifisert i denne bruksanvisningen.
18. Før du begynner å bruke verktøyet, må du kontrollere nøye at bladene ikke har sprekker eller andre skader. Skift ut sprukne eller ødelagte blader omgående.
19. Sørg for at ingen andre personer befinner seg på området før du begynner å klippe. Stans gressklipperen hvis noen kommer inn på området.
20. Før bruk av gressklipperen, fjern fremmedlegemer fra arbeidsområdet, som for eksempel steiner, ledninger, flasker, bein og store pinner, for å hindre helseskade eller skade på gressklipperen.
21. Stans arbeidet umiddelbart dersom du noterer noe uvanlig. Slå av gressklipperen og ta ut nøkkelen. Undersøk så gressklipperen.
22. Forsøk aldri å justere hjulhøyden mens gressklipperen er i gang.
23. Slipp startbryteren og vent til bladene slutter å rotere før du krysser oppkjørsler, stier, veier og alle grusbelagte områder. I tillegg må du ta ut nøkkelen hvis du forlater gressklipperen, skal plukke opp noe eller fjerne noe som ligger i veien eller som av en eller annen grunn avleder deg fra det du holder på med.
24. Gjenstander som slår mot gressklipperen, kan forårsake alvorlig helseskade. Plenen bør alltid undersøkes nøye og alle objekter fjernes før hver klipping.

25. Hvis gressklipperen slår mot et fremmedlegeme, følger du disse trinnene:
 - Stans gressklipperen, slipp startbryteren og vent til bladene stanser helt.
 - Ta ut låsenøkkelen og batteriet.
 - Undersøk gressklipperen nøye for skader.
 - Erstatt bladet om det på noen måte skulle være skadet. Reparer alle skader før ny oppstart og fortsatt bruk av gressklipperen.
26. Sjekk gresskurven ofte for slitasje eller skader. For oppbevaring må du alltid sørge for at gresskurven er tom. Av hensyn til sikkerhet må en slitt gresskurv alltid skiftes ut med en ny fabrikkprodusert gresskurv.
27. Vær svært forsiktig når du rygger eller trekker gressklipperen mot deg.
28. Stans bladene hvis gressklipperen må skråstilles for transportering, ved kryssing av overflater som ikke er gress og under transportering av gressklipperen til og fra området der den skal brukes.
29. Aldri bruk en gressklipper som har defekte vern eller beskyttelse, eller som ikke har sikkerhetsutstyr som for eksempel deflektorer og/eller gresskurv på plass.
30. Start gressklipperen forsiktig i henhold til instruksjonene og hold føttene på god avstand fra bladene.
31. Ikke skråstill gressklipperen når motoren slås på, unntatt når gressklipperen må skråstilles for oppstart. I så fall må den ikke skråstilles mer enn absolutt nødvendig, og det er bare delen som er vendt bort fra brukeren som skal løftes.
32. Ikke start gressklipperen mens du står foran avløpsåpningen.
33. Ikke plasser hender og føtter nær eller under roterende deler. Hold avstand fra avløpsåpningen til enhver tid.
34. Ikke transporter gressklipperen mens den er påslått.
35. Stans gressklipperen og fjern deaktivingsutstyr. Påse at alle bevegelige deler har stanset helt
 - alltid når du forlater gressklipperen,
 - før du fjerner ting som har satt seg fast eller renser rennen,
 - før kontroll, rengjøring eller arbeid på gressklipperen,
 - etter å ha slått borti et fremmedlegeme.
 Inspiser gressklipperen for skade og reparer før ny oppstart og bruk av gressklipperen.
36. Hvis gressklipperen begynner å vibrere uvanlig mye (undersøk umiddelbart)
 - inspiser for skader,
 - skift ut eller reparer enhver skadet del,
 - kontroller og stram enhver løs del.
37. Vær forsiktig under justering av gressklipperen slik at fingrene ikke befinner seg mellom roterende blader og gressklipperens faste deler.
38. Klipp på tvers av skråninger, aldri oppover og nedover. Vær svært forsiktig under endring av retning i skråninger. Ikke klipp altfor bratte skråninger.
39. Ikke vask med slange; unngå at det kommer vann inn i motoren og elektriske koblinger.
40. Kontroller hyppig at bladets festebolt sitter ordentlig fast.
41. Pass på at alle muttere, bolter og skruer sitter fast for å sikre at utstyret er i god stand.
42. La alltid gressklipperen avkjøles før den settes til oppbevaring.
43. Under service på bladene, vær oppmerksom på at selv om strømkilden er avslått, kan bladene fremdeles bevege seg.
44. Erstatt slitte og skadete deler for å trygge sikkerheten. Bruk kun originale reservedeler og tilbehør.

TA VARE PÅ DISSE INSTRUKSENE.

⚠ ADVARSEL: IKKE LA hensynet til hva som er "behagelig" eller det faktum at du kjenner produktet godt (etter mange gangers bruk) gjøre deg mindre oppmerksom på sikkerhetsreglene for bruken av det aktuelle produktet.

Ved MISBRUK eller hvis ikke sikkerhetsreglene i denne bruksanvisningen følges, kan det oppstå alvorlig personskaade.

Viktige sikkerhetsanvisninger for batteriinnset

1. Før du begynner å bruke batteriet, må du lese alle anvisninger og forsiktighetsregler på (1) batteriladeren, (2) batteriet og (3) det produktet batteriet skal brukes i.
2. Ikke ta fra hverandre batteriet.
3. Hvis driftstiden er blitt vesentlig kortere, må du omgående slutte å bruke maskinen. Hvis ikke kan resultatet bli overoppheting, mulige forbrenninger eller til og med en eksplosjon.
4. Hvis du får elektrolytt i øynene, må du skylle dem med store mengder rennende vann og oppsøke lege med én gang. Denne typen uhell kan føre til varig blindhet.
5. Ikke kortslutt batteriet:
 - (1) De kan være ekstremt varme og du kan brenne deg.
 - (2) Ikke lagre batteriet i samme beholder som andre metallgjenstander, som for eksempel spiker, mynter osv.
 - (3) Ikke la batteriet komme i kontakt med vann eller regn.
 En kortslutning av batteriet kan føre til et kraftig strømstøt, overoppheting, mulige forbrenninger og til og med til at batteriet går i stykker.
6. Ikke lagre maskinen og batteriet på steder hvor temperaturen kan komme opp i eller overskride 50 °C.
7. Ikke sett fyr på batteriet, ikke engang om det er sterkt skadet eller helt utslitt. Batteriet kan eksplodere hvis det begynner å brenne.
8. Vær forsiktig så du ikke mister batteriet eller utsetter det for slag.
9. Ikke bruk batterier som er skadet.

10. **Lithium-ion-batteriene som medfølger er gjenstand for krav om spesialavfall.**
 For kommersiell transport, f.eks av tredjeparter eller speditorer, må spesielle krav om pakking og merking følges.
 Før varen blir sendt, må du forhøre deg med en ekspert på farlig materiale. Ta også hensyn til muligheten for mer detaljerte nasjonale bestemmelser.
 Bruk teip eller maskeringsteip for å skjule åpne kontakter og pakk inn batteriet på en slik måte at den ikke kan bevege seg rundt i emballasjen.
11. **Følg lokale bestemmelser for avhending av batterier.**

TA VARE PÅ DISSE INSTRUKSENE.

⚠ ADVARSEL: Bruk kun originale Makita-batterier. Bruk av batterier som har endret seg, eller som ikke er originale Makita-batterier, kan føre til at batteriet sprekker og forårsaker brann, personskader og andre skader. Det vil også ugyldiggjøre garantien for Makita-verktøyet og -laderen.

Tips for å opprettholde maksimal batterilevetid

1. **Lad batteriinnsetsen før den er helt utladet. Stopp alltid driften av verktøyet og lad batteriinnsetsen når du merker at effekten reduseres.**
2. **Lad aldri en batteriinnsets som er fulladet. Overopplading forkorter batteriets levetid.**
3. **Lad batteriet i romtemperatur ved 10 °C - 40 °C. Et varmt batteri må kjøles ned før lading.**
4. **Lad batteriet hvis det ikke har vært brukt på en lang stund (over seks måneder).**

FUNKSJONS BESKRIVELSE

Sette inn eller ta ut batteri

⚠ ADVARSEL: Slå alltid av verktøyet før du setter inn eller fjerner batteriet.

⚠ ADVARSEL: Sørg for at du lukker batterilokket før bruk. Ellers kan søle, skitt eller vann påføre skader på produktet eller batteripatronen.

⚠ ADVARSEL: Batteriet må alltid settes helt inn, så langt at den røde anviseren ikke lenger er synlig. Hvis dette ikke gjøres, kan batteriet komme til å falle ut av maskinen og skade deg eller andre som oppholder seg i nærheten.

⚠ ADVARSEL: Ikke bruk makt når du setter i batteriet. Hvis batteriet ikke glir lett inn, er det fordi det ikke settes inn på riktig måte.

MERK: Verktøyet fungerer ikke med kun ett batteri.

Installering av batteriet;

1. Skyv låsespaken til batteridekselet og åpne batteridekselet.
► Fig.1: 1. Batterideksel 2. Batteridekselets låsespak
2. Rett inn batterituppen mot hakket i gressklipperen, og skyv innsetsen til den låses på plass med et lite klikk. Hvis du kan se den røde anviseren på oversiden av knappen, er ikke batteriinnsetsen fullstendig låst.
► Fig.2: 1. Batteriinnsets
3. Sett inn låsenøkkelen på stedet vist på figuren, så langt den vil gå.
► Fig.3: 1. Låsenøkkle
4. Lukk batteridekselet og trykk på det inntil det låses sammen med låsespaken.

Fjerning av batteriet fra gressklipperen;

1. Skyv låsespaken til batteridekselet og åpne batteridekselet.
2. Trekk batteriinnsetsen ut fra gressklipperen mens du skyver på knappen foran på batteriet og trekker det ut.
3. Trekk ut låsenøkkelen.
4. Lukk batteridekselet.

Batterivernsystem for verktøy/ batteri

Verktøyet er utstyrt med et batterivernsystem for verktøy/batteri. Dette systemet slår automatisk av strømmen til motoren for å forlenge verktøyet og batteriets levetid. Verktøyet stopper automatisk under drift hvis verktøyet eller batteriet utsettes for en av følgende tilstander. Indikatorene lyser i noen tilfeller.

Overlastsikring

Når verktøyet brukes på en måte som gjør at det bruker unormalt mye strøm, vil verktøyet stoppe, helt automatisk og uten forvarsel. I dette tilfellet må du slå av verktøyet og avslutte bruken som forårsaket at verktøyet ble overbelastet. Slå deretter verktøyet på for å starte det igjen.

Overopphetingsvern

Når verktøyet er overopphetet, stopper verktøyet automatisk. La verktøyet kjøle seg ned før du slår på verktøyet igjen.

Overutladingsvern

Når det blir lite batteri igjen, stopper verktøyet automatisk. Hvis produktet ikke går selv om bryterne aktiveres, må du ta batteriene ut av verktøyet og lade batteriene.

Indikere gjenværende batterikapasitet

- Fig.4:** 1. Batteriindikator 2. Kontrollknapp

Trykk på kontrollknappen for vise det gjenværende batterinivået. Batteriindikatorene korresponderer til hvert batteri.

Batteriindikatorstatus		Gjenværende batterikapasitet
På	Av	
		50 % - 100 %
		20 % - 50 %
		0% - 20%

Indikere gjenværende batterikapasitet

Kun for batterier med «B» sist i modellnummeret

► Fig.5: 1. Indikatorlamper 2. Kontrollknapp

Trykk på sjekk-knappen på batteriet for vise gjenværende batterikapasitet. Indikatorlampene lyser i et par sekunder.

Indikatorlamper			Gjenværende batterinivå
Tent	Av	Bliker	
			75 % til 100 %
			50 % til 75 %
			25 % til 50 %
			0 % til 25 %
			Lad batteriet.
			Batteriet kan ha en feil.

MERK: Det angitte nivået kan avvike noe fra den faktiske kapasiteten alt etter bruksforholdene og den omgivende temperaturen.

Bryterfunksjon

ADVARSEL: Før du setter batteriet inn, må du alltid kontrollere at bryterspaken fungerer som den skal, og at den går tilbake til sin opprinnelige posisjon når du slipper den. Hvis du bruker maskinen med en bryter som ikke fungerer som den skal, kan du komme til å miste kontrollen, og det kan oppstå alvorlige helseskader.

MERK: Gressklipperen starter ikke uten at bryterknappen trykkes på, selv hvis du trekker i bryterspaken.

MERK: Gressklipperen starter kanskje ikke på grunn av overlasten når du prøver å klippe langt eller tett gress i én økt. I slike tilfeller må du øke klippehøyden.

Denne gressklipperen er utstyrt med sperrerbryter og håndtaksbryter. Hvis du noterer noe uvanlig med noen av disse bryterne, stans bruken umiddelbart og la dem bli inspisert av ditt nærmeste Makita autoriserte service-senter.

1. Sett inn batteriene. Sett låsenøkkelen inn i låse-bryteren, og lukk batteridekselet.

► Fig.6: 1. Batteriinnsetts 2. Låsenøkkel

2. Trykk på bryterknappen og hold den inne.

3. Grip det øvre håndtaket og trekk i bryterspaken.

► Fig.7: 1. Startknapp 2. Startspak

4. Slipp bryterknappen så snart motoren begynner å kjøre. Gressklipperen vil fortsette å kjøre til du slipper bryterspaken.

5. Slipp bryterspaken for å stanse motoren.

Tilpasse klippehøyden

ADVARSEL: Plasser aldri hånd eller ben under gressklipperens hoveddel når du justerer klippehøyden.

ADVARSEL: Sørg alltid for at spaken passer ordentlig inn i fordypningen før bruk.

Klippehøyden kan justeres i området 20 mm - 75 mm.

1. Ta ut låsenøkkelen.

2. Trekk justeringsspaken for klippehøyden fra gressklipperens hoveddel og beveg den til ønsket klippehøyde.

► Fig.8: 1. Justeringsspak for klippehøyde

MERK: Tallene for klippehøyde er kun ment å være veiledende. Avhengig av plenen eller bakken kan faktisk plen høyde varierer litt fra den angitte høyden.

MERK: Gjør en prøvekutting på et mindre iøynefallende sted for å oppnå den høyden du ønsker.

Indikator for gressnivå

► Fig.9: 1. Indikator for gressnivå

Indikatoren for gressnivå viser hvor mye gress som er klippet.

- Så lenge gresskurven ikke er full, flyter indikatoren når du klipper gresset.

- Når gresskurven er full, flyter ikke indikatoren når du klipper gresset. Når dette skjer, må du umiddelbart stoppe klippingen og tømme kurven. Når du tømmer kurven, må du rengjøre den, slik at luft slipper ut gjennom hullene.

MERK: Denne indikatoren er kun en veiledning. Avhengig av tilstanden inne i kurven, kan det hende at indikatoren ikke fungerer som den skal.

MONTERING

⚠ ADVARSEL: Sørg alltid for at låsenøkkelen og batteriet er fjernet før det utføres noe arbeid på gressklipperen. Hvis ikke låsenøkkelen og batteriet fjernes, kan dette forårsake alvorlig personskade ved tilfeldig oppstartning.

⚠ ADVARSEL: Start aldri opp gressklipperen før det er fullstendig montert. Bruk av verktøyet i en delvis montert tilstand, kan resultere i alvorlig personskade ved tilfeldig oppstartning.

Montere batteridekselet

⚠ ADVARSEL: Du må ikke sette inn låsenøkkelen og batteriet før du monterer batteridekselet. Hvis du ikke følger denne anbefalingen, kan det resultere i alvorlige helseskader.

Sett batteridekselet riktig på plass før bruk. Batteridekselet beskytter gressklipperen og batteriet mot gjørme, jord og vann.

1. Plasser batteridekselet med de utstikkende delene på gressklipperen rettet inn mot hullene på batteridekselet.

► **Fig.10:** 1. Utstikkende deler 2. Hull 3. Batterideksel

2. Legg hendene på midten av batteridekselet, og trykk det ned.

► **Fig.11**

3. Før du tar verktøyet i bruk for første gang, må du kontrollere at dreiepunktet til batteridekselet er festet på riktig måte. Hvis batteridekselet er riktig montert, åpnes det ikke før du trekker i batteridekselets låsespak.

► **Fig.12:** 1. Dreiepunkt 2. Batteridekselets låsespak

Montering av håndtaket

OBS: Ved montering av håndtak, plasser ledningene slik at de ikke blir sittende fast i noe mellom håndtakene. Hvis ledningen er skadet kan det hende at gressklipperbryteren ikke virker.

1. Skyv begge ender av det nederste håndtaket inn i sporene i gressklipperen og stram klemmeskruene godt.

► **Fig.13:** 1. Klemmeskrue 2. Nedre håndtak

2. Juster skruerhullene på det øvre og nedre håndtaket. Fest dem med klemmeskruene og mutrene.

► **Fig.14:** 1. Låsemutter 2. Klemmeskrue

MERK: Holde det øverste håndtaket godt, slik at du ikke mister grepet.

3. Fest holderne til håndtaket. Plasser strømledningen som vist på bildet.

► **Fig.15:** 1. Holder

Demontere eller montere gressklipperkniven

⚠ ADVARSEL: Ta alltid ut låsenøkkelen og batteriet når bladet skal fjernes eller monteres. Hvis låsenøkkelen og batteriet ikke fjernes, kan dette forårsake alvorlig personskade.

⚠ ADVARSEL: Bladet roterer i noen få sekunder etter at bryteren er sluppet. Ikke start noen form for arbeid før kniven har stanset helt.

⚠ ADVARSEL: Når du håndterer bladet, bruk alltid hansker.

Bruk følgende trinn for å ta av gressklipperbladet:

1. Legg gressklipperen over på siden slik at justeringsspaken for klippehøyde kommer opp til den øverste siden.

2. Lås bladrotasjonen ved å føre en skrutrekker eller liknende verktøy inn i et hull på bunnen av kniven.

3. Skru bolten mot urviseren med en skrunøkkel.

► **Fig.16:** 1. Gressklipperkniv 2. Skrutrekker 3. Fastnøkkel

4. Fjern bolten, den ytre flensen, gressklipperkniven og den innvendige flensen i rekkefølge.

► **Fig.17:** 1. Indre flens 2. Pål som angir rotasjonsretning 3. Ytre flens 4. Bolt 5. Gressklipperkniv

Monter gressklipperkniven ved å følge fremgangsmåten for demontering i motsatt rekkefølge.

⚠ ADVARSEL: Sett kniven forsiktig inn. Den har en over- og underside. Plasser bladet slik at blad-siden med rotasjonsretningsspilen vises utover.

⚠ ADVARSEL: Stram til bolten med urviseren for å feste bladet.

⚠ ADVARSEL: Sørg for at kniven og alle festedelenene er riktig montert godt strammet.

⚠ ADVARSEL: Når du skifter ut bladene, skal du alltid følge anvisningene i denne håndboken.

Monter gresskurven

1. Ta ut låsenøkkelen.

2. Løft det bakre vernet til gressklipperen.

► **Fig.18**

3. Hekt gresskurven på gressklipperen, som vist på figuren.

► **Fig.19:** 1. Krok 2. Spor 3. Gresskurv

BRUK

Klipping

⚠ ADVARSEL: Før klipping, rydd vekk pinner og steiner fra klippeområdet. I tillegg, rensk vekk ugress fra området på forhånd.

⚠ ADVARSEL: Bruk alltid vernebriller med sidevern under bruk av gressklipperen.

► Fig.20

Hold gressklipperhåndtaket fast med begge hender under klippingen. Utsidene av fronthjulene er veiledende for klippebredden. Mens du bruker de utvendige kantene til de to framhjulene som veileder, klipp i striper med en halv til en tredjels overlapping av den forrige stripen slik at plenen blir jevnt klippet.

Du må regelmessig kontrollere gressnivået i gresskurven. Tøm ut gresset før den blir helt full. Før hver regelmessige kontroll, må du sørge for at du stanser gressklipperen og tar ut låsenøkkelen og batteriet.

MERK: Bruk av gressklipperen med gresskurven full, hindrer jevn rotering av bladet og legger en ekstra belastning på motoren, hvilket kan føre til at den bryter sammen.

Klipping av plen med høyt gress

Ikke kutt vått gress eller løvverk på små trær. Det er bedre å klippe gresset i små trinn. La det gå en dag eller to mellom klippeøkter, til plenen blir jevnt kort.

MERK: Dersom gresset klippes kort i én økt, kan det føre til at gresset dør. Oppkuttet gress kan også blokkere innsiden av gressklipperen.

Tømming av gresskurven

⚠ ADVARSEL: For å redusere faren for ulykker, kontroller regelmessig gresskurven for skade eller redusert styrke. Skift om nødvendig ut gresskurven.

1. Slipp bryterspaken.
2. Ta ut låsenøkkelen.
3. Løft det bakre vernet og ta ut gresskurven ved å holde i håndtaket.

► **Fig.21:** 1. Bakre vern 2. Håndtak

4. Tøm gresskurven.

VEDLIKEHOLD OG OPPBEVARING

⚠ ADVARSEL: Sørg alltid for at låsenøkkelen og batteriet er tatt ut fra gressklipperen før oppbevaring eller forsøk på inspeksjon eller vedlikehold.

⚠ ADVARSEL: Du må alltid ta ut låsenøkkelen når gressklipperen ikke er i bruk. Oppbevar låsenøkkelen på et trygt sted, utilgjengelig for barn.

⚠ ADVARSEL: Bruk hansker når du utfører inspeksjon eller vedlikehold.

OBS: Aldri bruk gasolin, bensin, tynner alkohol eller lignende. Det kan føre til misfarging, deformering eller sprekkdannelse.

Vedlikehold

1. Ta ut låsenøkkelen. Oppbevar den på et trygt sted utenfor barns rekkevidde.
2. Rengjør gressklipperen kun med en våt klut. Ikke spray eller hell vann over gressklipperen under rengjøringen.
3. Legg gressklipperen over på siden og fjern klippet gress som har samlet seg på undersiden av gressklipperdekket.
4. Kontroller at alle muttere, bolter, knotter, skruer, fester osv. er ordentlig festet.
5. Kontroller bevegelige deler for skade, brudd og slitasje. Skadete og manglende deler skal repareres eller skiftes ut.

Lagring

⚠ ADVARSEL: Når gressklipperen bæres eller oppbevares, hold ikke i de sammenfoldede håndtakene, men i gressklipperens fronthåndtak. Hvis den holdes etter de sammenfoldede håndtakene, kan dette forårsake alvorlig helseskade eller skade gressklipperen.

Før gressklipperen oppbevares, ta ut batteriet. Oppbevar gressklipperen innendørs på et kjølig, tørt og låst sted. Ikke lagre gressklipperen og laderen på steder hvor temperaturen kan komme opp i eller overskride 40 °C.

► **Fig.22:** 1. Fronthåndtak 2. Bakre håndtak

1. Løsne klemmeskruene og trekk det nedre håndtaket ut til sidene. Skyv håndtaket ned og frem. Når du gjør dette, hold godt fast i det nedre håndtaket slik at det ikke faller ned på den andre siden av gressklipperen.
► **Fig.23:** 1. Klemmeskrue 2. Nedre håndtak
2. Løsne klemmeskruene og drei det øverste håndtaket bakover, samtidig som du trekker ut til begge sider.
► **Fig.24:** 1. Låsemutter 2. Øvre håndtak
3. Oppbevar gresskurven mellom håndtaket og gressklippermaskinen.
► **Fig.25:** 1. Gresskurv

MERK: Når gressklipperen settes i oppreist stilling, hold ikke i håndtaket, men bruk gressklipperens fronthåndtak.

For å opprettholde produktets SIKKERHET og PÅLITELIGHET, må reparasjoner, vedlikehold og justeringer utføres av autoriserte Makita servicesentre eller fabrikk-servicesentre, og det må alltid brukes reservedeler fra Makita.

FEILSØKING

Inspirer utstyret selv før du bestiller reparasjon. Ikke prøv å demontere verktøyet hvis du finner et problem som ikke er forklart i brukerveiledningen. I stedet bør du ta kontakt med et av Makitas autoriserte servicesentre, som alltid bruker reservedeler fra Makita til reparasjoner.

Unormal tilstand	Sannsynlig årsak (feil)	Løsning
Gressklipperen starter ikke.	De to batteriinnsettene er ikke satt inn.	Sett inn de oppladede batteriinnsettene.
	Batteriproblem (med spenning)	Lad batteriet. Hvis ladingen ikke virker, skal batteriet skiftes ut.
	Låsenøkkelen er ikke satt inn.	Sett inn låsenøkkelen.
Motoren slutter å gå etter kort tids bruk.	Batteriets lade nivå er lavt.	Lad batteriet. Hvis ladingen ikke virker, skal batteriet skiftes ut.
	Klippehøyden er for lav.	Hev klippehøyden.
Motoren når ikke maksimalt antall omdreininger per minutt.	Batteriet er riktig satt inn.	Sett inn batteriet som beskrevet i denne håndboken.
	Batterieffekten minsker.	Lad batteriet. Hvis ladingen ikke virker, skal batteriet skiftes ut.
	Drivsystemet virker ikke slik det skal.	Kontakt ditt nærmeste autoriserte servicesenter hvis det oppstår behov for reparasjon.
Klippeverktøyet roterer ikke: ⇒ stans gressklipperen umiddelbart!	Fremmedlegemer, for eksempel grener, har satt seg fast nær kniven.	Fjern fremmedlegemet.
	Drivsystemet virker ikke slik det skal.	Kontakt ditt nærmeste autoriserte servicesenter hvis det oppstår behov for reparasjon.
Unormale vibrasjoner: ⇒ stans gressklipperen umiddelbart!	Kniven er i ubalanse, for slitt eller ujevnt slitt.	Skift ut kniven.

VALGFRITT TILBEHØR

⚠ ADVARSEL: Det anbefales at du bruker dette tilbehøret eller verktøyet sammen med den Makita-maskinen som er spesifisert i denne håndboken. Bruk av annet tilbehør eller verktøy kan forårsake personskader. Tilbehør og verktøy må kun brukes til det formålet det er beregnet på.

Ta kontakt med ditt lokale Makita-servicesenter hvis du trenger mer informasjon om dette tilbehøret.

- Gressklipperkniv
- Makita originalbatteri og lader

MERK: Enkelte elementer i listen kan være inkludert som standardtilbehør i verktøypakken. Elementene kan variere fra land til land.








TEKNISET TIEDOT

Malli:		DLM431	
Leikkuuleveys (terän halkaisija)		430 mm	
Kuormittamaton kierrosnopeus		3 600 min ⁻¹	
Mitat (P x L x K)	toiminnan aikana	Maks. 1 490 mm x 460 mm x 1 020 mm min. 1 450 mm x 460 mm x 950 mm	
	varastoitaessa (ilman ruohosäiliötä)	490 mm x 460 mm x 910 mm	
Nimellisjännite		DC 36 V	
Vakioakkupaketti (akkupaketit) ▲Varoitus: Käytä vain kuvattua akkupakettia (akkupaketteja).		BL1815N/BL1820/BL1820B	BL1830/BL1830B/BL1840/ BL1840B/BL1850/BL1850B/ BL1860B
Nettopaino		17,8 kg	18,3 kg

- Jatkuvasta tutkimus- ja kehitystyöstämme johtuen esitetyt tekniset tiedot saattavat muuttua ilman erillistä ilmoitusta.
- Tekniset tiedot ja akkupaketti voivat vaihdella maittain.
- Paino akkupaketilla, EPTA-menettelyn 01/2003 mukaan

Symbolit

Laitteessa on käytetty seuraavia symboleja. Opettele niiden merkitys ennen käyttöä.

	Noudata erityistä varovaisuutta ja kiinnitä huomiota.
	Lue käyttöohje.
	Vaara; varo sinkoutuvia kappaleita.
	Sivullisten henkilöiden etäisyyden työkälusta on oltava vähintään 15 m.
	Pidä kätesi ja jalkasi kaukana ruohonleikkurin alla olevasta terästä. Terät jatkavat pyörimistä moottorin sammuttamisen jälkeen.
	Irrota lukitusavain ennen ruohonleikkurin tarkistamista, säätämistä, puhdistamista, huoltamista tai asettamista säiliöön.
	Koskee vain EU-maita Älä hävitä sähkölaitteita tai akkuja tavallisen kotitalousjätteen mukana! Sähkö- ja elektroniikkalaiteromua koskevan EU-direktiivin ja paristoja ja akkuja sekä käytettyjä paristoja ja akkuja koskevan direktiivin ja niiden maakohtaisten sovellusten mukaisesti käytetyt sähkölaitteet ja akut on toimitettava ongelmajätteen keräyspisteeseen ja ohjattava ympäristöystävälliseen kierrätykseen.

Käyttötarkoitus

Työkalu on tarkoitettu ruohonleikkuuseen.

Melutaso

Tyypillinen A-painotettu melutaso määräytyy standardin EN60335 mukaan:

Äänenpainetaso (L_{pA}): 80 dB (A)

Äänen voiman taso (L_{WA}): 93 dB (A)

Virhemarginaali (K): 3 dB (A)

Työskentelyn aikana melutaso voi ylittää 80 dB (A).

Tärinä

Kokonaistärinä (kolmen akselin vektorien summa)

määräytyy standardin EN60335 mukaan:

Tärinäpäästö (a_{h1}): 2,5 m/s² tai alhaisempi

Virhemarginaali (K): 1,5 m/s²

HUOMAA: Ilmoitettu tärinäpäästöarvo on mitattu standarditestausten menetelmän mukaisesti, ja sen avulla voidaan vertailla työkaluja keskenään.

HUOMAA: Ilmoitettua tärinäpäästöarvoa voidaan käyttää myös altistumisen alustavaan arviointiin.

▲VAROITUS: Työkalun käytön aikana mitattu todellinen tärinäpäästöarvo voi poiketa ilmoitetusta tärinäpäästöarvosta työkalun käyttötavan mukaan.

▲VAROITUS: Selvitä käyttäjän suojaamiseksi tarvittavat varoimet todellisissa käyttöolosuhteissa tapahtuvan arvioidun altistumisen mukaisesti (ottaen huomioon käyttöjaksot kokonaisuudessaan, myös jaksot, joiden aikana työkalu on sammuttuna tai käy tyhjäkäynnillä).

VAKUUTUS EC-VASTAAVUUDESTA

Koskee vain Euroopan maita

Makita ilmoittaa, että seuraava(t) kone(et):

Koneen tunnistetiedot: Akkukäyttöinen ruohonleikkuri

Mallinumero/tyyppi: DLM431

Täyttävät seuraavien eurooppalaisten direktiivien vaatimukset: 2000/14/EC, 2006/42/EC

On valmistettu seuraavien standardien tai standardoitujen asiakirjojen mukaisesti: EN60335
Direktiivin 2006/42/EC mukaiset tekniset tiedot ovat saatavissa seuraavasta osoitteesta:
Makita, Jan-Baptist Vinkstraat 2, 3070, Belgia
Direktiivissä 2000/14/EC edellytetty vaatimustenmukaisuusarviointi on tehty liitteen VI mukaisesti.
Ilmoitettu laitos: TÜV Rheinland LGA Products GmbH
Am Grauen Stein 29 51105 Köln Saksa
Tunnistenumero 0197
Mittattu äänitehotaso: 93 dB (A)
Taattu äänitehotaso: 94 dB (A)
1.12.2015



Yasushi Fukaya
Johtaja
Makita, Jan-Baptist Vinkstraat 2, 3070, Belgia

TÄRKEITÄ TURVAOHJEITA

VAROITUS: Lue huolellisesti kaikki turvallisuusvaroitukset ja käyttöohjeet. Jos varoitusten ja ohjeiden noudattaminen laiminlyödään, seurauksena voi olla sähköisku, tulipalo ja/tai vakava vammautuminen.

Säilytä varoitukset ja ohjeet tulevaa käyttöä varten.

1. Aseta avain paikalleen vasta sitten, kun ruohonleikkuri on käyttövalmis.
 2. Lapsia tulee valvoa ja varmistaa etteivät he pääse leikkimään ruohonleikkurilla.
 3. Älä anna lasten tai näihin ohjeisiin perehtymättömien henkilöiden käyttää ruohonleikkuria. Paikalliset määräykset voivat rajoittaa käyttäjän ikää.
 4. Ruohonleikkuria ei saa koskaan käyttää, kun lähistöllä on muita henkilöitä, etenkin lapsia, tai lemmikkieläimiä.
 5. Muista, että käyttäjä vastaa tapaturmista tai vahingoista, jotka hän aiheuttaa muille ihmisille tai heidän omaisuudelleen.
 6. Käytä ruohonleikkuria käyttäessäsi aina tukevasti jalkineita ja pitkiä housuja. Älä käytä ruohonleikkuria paljain jaloin tai avosandaalit jalassa. Älä käytä vaatteita tai koruja, jotka ovat väljiä tai joissa on irrallisia nauhoja tai ketjuja. Ne voivat tarttua laitteen liikkuviin osiin.
 7. Käytä ruohonleikkuria vain päivänvalossa tai kirkaassa keinovalossa.
 8. Vältä ruohonleikkurin käyttämistä märällä nurmikolla.
 9. Älä koskaan käytä ruohonleikkuria sateella.
 10. Akkukäyttöisen työkalun käyttö ja hoito
- Lataa akkua vain valmistajan määrittämällä laturilla. Tietyille akkupaketille sopiva laturi voi aiheuttaa tulipalovaaran, jos sitä käytetään muun tyyppisen akkupaketin yhteydessä.
- Käytä sähkötyökaluja vain niille tarkoitettujen akkujen kanssa. Muunlaisten akkujen käyttäminen voi aiheuttaa loukkaantumisen tai tulipalovaaran.
11. Pidä aina tukevasti kiinni kahvasta.
 12. Varmista aina tukeva jalansija rinteessä työskennellessäsi.
 13. Kävele, älä koskaan juokse.
 14. Älä tartu leikkuuteriin tai leikkaaviin reunoihin, kun nostat tai kannattelet ruohonleikkuria.
 15. Fyysinen kunto - älä käytä ruohonleikkuria huumausaineiden, alkoholin tai lääkityksen alaisena.
 16. Pidä jalkasi ja kätesi kaukana pyörivistä teristä. Varoitus - terät pyörivät vielä sen jälkeen kun leikkuri on kytketty pois päältä.
 17. Käytä vain valmistajan tässä ohjeessa ilmoitettuja teriä.
 18. Tarkista, ettei terissä ole halkeamia, ennen kuin aloitat työskentelyn. Vaihda halkeilleet tai muuten vahingoittuneet terät heti uusiin.
 19. Varmista ennen ruohonleikkurin aloittamista, ettei alueella ole muita ihmisiä. Lopeta ruohonleikkurin käyttö, jos työskentelyalueelle tulee muita.
 20. Poista työskentelyalueelta vieraat esineet, kuten kivet, langat ja köydet, pullo, luut ja suuret kepit, välttääksesi henkilövahingot tai ruohonleikkurin vahingot.
 21. Lopeta käyttö heti, jos havaitset jotakin epätavallista. Sammuta ruohonleikkuri ja irrota avain. Tarkista sitten ruohonleikkuri.
 22. Älä koskaan yritä säätää pyörien korkeutta, kun ruohonleikkuri on käynnissä.
 23. Vapauta kytkinvipu ja anna terien pysähtyä ennen ajo- ja kävelyreittien, yleisten teiden tai sorapintaisten alueiden ylittämistä. Irrota avain, jos poistut laitteen luota, kurotat nostamaan jotakin tai ottamaan jotakin pois tieltä tai teet muuta, joka voi jostain syystä siirtää huomiosi pois laitteen käytöstä.
 24. Ruohonleikkurin terien sinkoamat esineet voivat aiheuttaa vakavia henkilövahinkoja. Ennen jokaista leikkuukertaa nurmikko on tutkittava huolellisesti ja ylimääräiset esineet on poistettava alueelta.
 25. Jos ruohonleikkuri osuu vieraaseen esineeseen, toimi seuraavasti:
- Pysäytä ruohonleikkuri, vapauta kytkinvipu ja odota, että terä pysähtyy täysin.
- Irrota avain ja akkupaketti.
- Tarkista ruohonleikkuri huolellisesti vaurioiden varalta.
- Vaihda terä, jos se on jotenkin vaurioitunut.
Korjaa mahdolliset vahingot ennen ruohonleikkurin uudelleen käynnistämistä ja toiminnan jatkamista.

26. Tarkista säännöllisesti, ettei ruohosäiliössä ole kulumia tai murtumia. Tarkista ennen laitteen asettamista säilöön, että ruohosäiliö on tyhjä. Kulunut ruohosäiliö on turvallisuussyistä korvattava tehdasuudella.
27. Ole erityisen varovainen, kun peruutat ruohonleikkuria tai vedät sitä itseäsi kohti.
28. Pysäytä terät, jos ruohonleikkuria on tarpeen kallistaa ruohottomia alueita ylittettäessä, sekä silloin, kun siirrat sitä leikattavalle nurmi-alueelle ja takaisin.
29. Älä koskaan käytä ruohonleikkuria, jos suojukset tai kilvet ovat vioittuneet tai turvalaitteet, esimerkiksi kivisuojat ja/tai ruohosäiliö, eivät ole paikallaan.
30. Käynnistä moottori varovaisuutta noudattaen ja ohjeiden mukaisesti ja pidä jalkasi poissa terän (terien) ulottuvilta.
31. Älä kallista ruohonleikkuria moottorin käynnistyksen aikana, ellei se ole käynnistyksen kannalta välttämätöntä. Jos kallistaminen on välttämätöntä, kallista laitetta mahdollisimman vähän ja kohota vain käyttäjään nähden kauim-pana olevaa puolta.
32. Älä käynnistä ruohonleikkuria seisossasi poistoaukon edessä.
33. Älä aseta käsiäsi tai jalkojasi pyörivien osien alle tai lähelle. Pidä poistoaukko aina esteettömänä jäämistä.
34. Älä kuljeta ruohonleikkuria sen ollessa käynnissä.
35. Pysäytä ruohonleikkuria ja irrota käytönestolaite. Varmista, että kaikki liikkuvat osat ovat täysin pysähtyneet
- aina poistuessasi ruohonleikkurin luota,
 - ennen tukkeumien selvittämistä tai kourun puhdistamista,
 - ennen ruohonleikkurin tarkastamista, puhdistamista tai kunnossapitoa,
 - laitteen osuttua vierasesineeseen. Tarkasta ruohonleikkuri vaurioiden varalta ja korjaa mahdolliset viat, ennen kuin käynnistät sen uudelleen.
36. Jos ruohonleikkuri alkaa täristä epänormaalisti (tutki syy heti)
- Tarkasta vauriot,
 - Vaihda tai korjaa vaurioituneet osat,
 - Tarkasta ja kiristä löystyneet osat.
37. Varo laitteen säätämisen aikana, etteivät sormesi jää pyörivien terien ja ruohonleikkurin kiinteiden osien väliin.
38. Leikkaa nurmikko rinteessä aina poikittais-suuntaan, älä koskaan ylös ja alas. Ole erityisen varovainen vaihtaessasi suuntaa rinteessä. Älä leikkaa nurmikkoa liian jyrkissä rinteissä.
39. Älä pese letkulla, vältä moottorin ja sähköliitäntöjen altistamista vedelle.
40. Tarkista säännöllisesti, että terän kiinnityspulvit ovat riittävän kireällä.
41. Varmista laitteen käyttöturvallinen kunto tarkistamalla, että kaikki mutterit, pultit ja ruuvit ovat tiukasti kiinni.
42. Anna ruohonleikkurin jäähtyä, ennen kuin siirrat sen varastoon.
43. Kun huollat teriä, muista, että vaikka virta on katkaistu, terät voivat silti liikkua.
44. Vaihda kuluneet tai vioittuneet osat turvallisuusyistä. Käytä vain aitoja varaosia ja tarvikkeita.

SÄILYTÄ NÄMÄ OHJEET.

VAROITUS: ÄLÄ anna työkalun helppokäyttöisyyden (toistuvan käytön aikaansaama) johtaa sinua väärrään turvallisuuden tunteeseen niin, että laiminlyöt työkalun turvaohjeiden noudattamisen.

VÄÄRINKÄYTTÖ tai tässä käyttöohjeessa ilmoitettujen turvamääräysten laiminlyönti voi aiheuttaa vakavia henkilövahinkoja.

Akkupakettia koskevia tärkeitä turvaohjeita

1. Ennen akun käyttöönottoa tutustu kaikkiin laturissa (1), akussa (2) ja akkukäyttöisessä tuotteessa (3) oleviin varoitusteksteihin.
2. Älä pura akkua.
3. Jos akun toiminta-aika lyhenee merkittävästi, lopeta akun käyttö. Seurauksena voi olla ylikuumentuminen, palovammoja tai jopa räjähdys.
4. Jos akkunestettä pääsee silmiin, huuhtele puhtaalla vedellä ja hakeudu välittömästi lääkärin hoitoon. Akkuneste voi aiheuttaa näön menetyksen.
5. Älä oikosulje akkua.
 - (1) Älä koske akun napoihin millään sähköä johtavalla materiaalilla.
 - (2) Vältä akun oikosulkemista äläkä säilytä akkua yhdessä muiden metalliesineiden, kuten nauhojen, kolikoiden ja niin edelleen kanssa.
 - (3) Älä aseta akkua alttiiksi vedelle tai sateelle.
 Oikosulku voi aiheuttaa virtapiikin, ylikuumentumista, palovammoja tai laitteen rikkoontumisen.
6. Älä säilytä työkalua ja akkua paikassa, jossa lämpötila voi nousta 50 °C:een tai sitäkin korkeammaksi.
7. Älä hävitä akkua polttamalla, vaikka se olisi pahoin vaurioitunut tai täysin loppuun kulunut. Avotuli voi aiheuttaa akun räjähtämisen.
8. Varo kolhimasta tai pudottamasta akkua.
9. Älä käytä viallista akkua.
10. Sisältyviä litium-ioni-akkuja koskevat vaarallisten aineiden lainsäädännön vaatimukset. Esimerkiksi kolmansien osapuolten huolintaliikkeiden tulee kaupallisissa kuljetuksissa noudattaa pakkaamista ja merkintöjä koskevia erityisvaatimuksia.

Lähetettävän tuotteen valmistelu edellyttää vaarallisten aineiden asiantuntijan neuvontaa. Huomioi myös mahdollisesti yksityiskohtaisemmat kansalliset määräykset

Akun avoimet liittimet tulee suojata teipillä tai suojuksella ja pakkaaminen tulee tehdä niin, ettei akku voi liikkua pakkauksessa.

11. Hävitä akku paikallisten määräysten mukaisesti.

SÄILYTÄ NÄMÄ OHJEET.

▲HUOMIO: Käytä vain alkuperäisiä Makita-akkuja. Muiden kuin aitojen Makita-akkujen, tai mahdollisesti muutettujen akkujen käyttö voi johtaa akun murtumiseen ja aiheuttaa tulipaloja, henkilö- ja omaisuusvahinkoja. Se mitätöi myös Makita-työkalun ja -laturin Makita-takuun.

Vihjeitä akun käyttöiän pidentämiseksi

1. Lataa akku ennen kuin se purkautuu täysin. Lopeta aina työkalun käyttö ja lataa akku, jos huomaat työkalun tehon vähenevän.
2. Älä koskaan lataa uudestaan täysin ladattua akkua. Yli lataaminen lyhentää akun käyttöikää.
3. Lataa akku huoneen lämpötilassa välillä 10 °C - 40 °C. Anna kuuman akun jäähtyä ennen lataamista.
4. Lataa akkupaketti, jos et käytä sitä pitkään aikaan (yli kuusi kuukautta).

TOIMINTOJEN KUVAUS

Akun asentaminen tai irrottaminen

▲HUOMIO: Sammuta työkalu aina ennen akkupaketin kiinnittämistä tai irrottamista.

▲HUOMIO: Varmista ennen käyttöä, että akun suojus on lukittu. Muuten muta, hiekka tai vesi voisi vaurioittaa tuotetta tai akkua.

▲HUOMIO: Työnnä akku aina pohjaan asti, niin että punainen ilmaisin ei enää näy. Jos akku ei ole kunnolla paikallaan, se voi pudota työkalusta ja aiheuttaa vammoja joko sinulle tai sivullisille.

▲HUOMIO: Älä käytä voimaa akun asennuksessa. Jos akku ei liu'u paikalleen helposti, se on väärässä asennossa.

HUOMAA: Työkalu ei toimi yhdellä akulla.

Akun kiinnittäminen paikalleen;

1. Liu'uta akun suojuksen lukitusvipua itseäsi kohti ja avaa akun suojuksen.

► **Kuva1:** 1. Akun suojuksen lukitusvipu

2. Kohdista akkupaketin kieli ruohonleikkurin rakoön liu'uta sitten kasettia, kunnes se lukkiutuu paikalleen hieman napsahtaen. Jos painikkeen yläpuolella näkyy punainen ilmaisin, akku ei ole lukkiutunut paikoilleen täysin.

► **Kuva2:** 1. Akkupaketti

3. Työnnä lukitusavain paikalleen niin pitkälle kuin sen menee.

► **Kuva3:** 1. Lukitusavain

4. Sulje akun kansi ja työnnä sitä, kunnes se lukittu lukitusvipulla.

Avun irrottaminen ruohonleikkurista;

1. Liu'uta akun suojuksen lukitusvipua itseäsi kohti ja avaa akun suojuksen.
2. Irrota akku painamalla akkupaketin etupuolella olevaa painiketta ja vetämällä akku ulos työkalusta.
3. Vedä lukitusavain irti.
4. Sulje akun suojuksen.

Työkalun/akun suojausjärjestelmä

Työkalu on varustettu työkalu/akun suojausjärjestelmällä. Tämä järjestelmä pidentää työkalun ja akun käyttöikää katkaisemalla automaattisesti moottorin virran. Työkalu pysähtyy automaattisesti kesken käytön, jos työkalussa tai akussa ilmenee jokin seuraavista tilanteista: Joissakin tilanteissa merkkivalot syttyvät.

Ylikuormitussuoja

Kun työkalua käytetään tavalla, joka saa sen kuluttamaan epätavallisen suuren määrän virtaa, työkalu pysähtyy automaattisesti ilman mitään merkkivaloa tai ilmaisinta. Katkaise tässä tilanteessa työkalusta virta ja lopeta ylikuormitustilan aiheuttanut käyttö. Käynnistä sitten työkalu uudelleen kytkemällä siihen virta.

Ylikuumenemissuoja

Kun työkalu ylikuumenee, työkalu pysähtyy automaattisesti. Anna työkalun jäähtyä, ennen kuin kytket työkalun uudelleen päälle.






Ylipurkautumissuoja

Jos akun varaus käy vähiin, työkalu pysähtyy automaattisesti. Jos työkalu ei toimi, vaikka kytkimiä käytetään, irrota akut työkalusta ja lataa ne.

Akun jäljellä olevan varaustason ilmaisin

► **Kuva4:** 1. Akun merkkivalo 2. Tarkistuspainike

Painamalla tarkistuspainiketta saat näkyviin akun varaustason. Kumpikin akun ilmaisin vastaa yhtä akkua.

Akun tilan merkkivalo		Akussa jäljellä oleva varaus
 Päällä	 Pois päältä	
		50 % – 100 %
		20 % – 50 %
		0 % – 20 %

Akun jäljellä olevan varaustason ilmaisin

Vain akkupaketeille, joiden mallinumeron lopussa on "B"

► Kuva5: 1. Merkkivalot 2. Tarkistuspainike

Painamalla tarkistuspainiketta saat näkyviin akun jäljellä olevan varausten. Merkkivalot palavat muutaman sekunnin ajan.

Merkkivalot			Akussa jäljellä olevan varaus
Palaa	Pois päältä	Viikkuu	
			75% - 100%
			50% - 75%
			25% - 50%
			0% - 25%
			Lataa akku.
			Akussa on saattanut olla toimintahäiriö.

HUOMAA: Ilmoitettu varaustaso voi erota hieman todellisesta varaustasosta sen mukaan, millaisissa oloissa ja missä lämpötilassa laitetta käytetään.

Kytkimen käyttäminen

VAROITUS: Tarkista aina ennen akkupaketin asentamista työkaluun, että kytkinvipu kytkeytyy oikein ja palaa alkuperäiseen asentoonsa, kun se vapautetaan. Jos työkalua käytetään, vaikka kytkin ei toimi moitteettomasti, seurauksena voi olla vakava henkilövahinko.

HUOMAA: Ruohonleikkuri ei käynnisty painamalla katkaisinpainiketta, vaikka kytkinvipua vedetään.

HUOMAA: Ruohonleikkuri ei ehkä käynnisty ylikuormituksen vuoksi, kun yrität leikata pitkää tai tiheää ruohoa liiallisesti. Lisää tässä tapauksessa leikkuukorkeutta.

Tämä leikkuri on varustettu lukituskatkaisimella ja kahvassa olevalla katkaisimella. Jos jommankumman katkaisimen toiminnassa ilmenee jotakin epätavallista, lopeta laitteen käyttö heti ja pyydä valtuutettua Makita-huoltoliikettä tarkastamaan laite.

1. Asenna akkupaketti paikalleen. Työnnä lukitusavain lukituskatkaisimeen ja sulje akun suojus.

► Kuva6: 1. Akkupaketti 2. Lukitusavain

2. Paina kytkin pohjaan ja pidä painettuna.

3. Tartu yläkahvaan ja vedä kytkinvipua.

► Kuva7: 1. Kytkinpainike 2. Kytkinvipu

4. Vapauta kytkinpainike heti, kun moottori alkaa pyöriä. Ruohonleikkuri toimii, kunnes vapautat kytkinvivun.

5. Sammuta moottori vapauttamalla kytkinvipu.

Leikkuusyvytyden säätäminen

VAROITUS: Älä koskaan työnnä jalkojasi tai käsiäsi ruohonleikkurin rungon alle leikkuukorkeuden säädön aikana.

VAROITUS: Varmista aina ennen käyttöä, että vipu sopii uraan.

Leikkuukorkeuden säätöalue on 20 mm - 75 mm.

1. Irrota lukitusavain.

2. Vedä leikkuukorkeuden säätövipua ulospäin ruohonleikkurista ja siirrä se haluamasi leikkuukorkeuden kohdalle.

► Kuva8: 1. Leikkuukorkeuden säätövipu

HUOMAA: Leikkuukorkeuden arvoja tulee käyttää vain ohjeellisinä. Riippuen nurmikon tai maanpinnan kunnosta, todellinen nurmikon korkeus saattaa olla hieman erilainen kuin asetettu korkeus.

HUOMAA: Kokeile leikkuukorkeutta ensin nurmikon syrjäisemmässä osassa.

Ruohomäärän ilmaisin

► Kuva9: 1. Ruohomäärän ilmaisin

Ruohomäärän ilmaisin näyttää leikatun ruohon määrän.

- Jos ruohosäiliö ei ole täynnä, ilmaisin liikkuu leikkuun aikana.
- Jos ruohosäiliö on täynnä, ilmaisin ei liiku leikkaamisen aikana. Lopeta silloin leikkaaminen heti ja tyhjennä säiliö. Kun olet tyhjentänyt ruohosäiliön, puhdista se, jotta sen verkkoseinät päästävät ilman lävitseen.

HUOMAA: Tämä ilmaisin on vain karkea ohje. Säiliön sisäisen tilanteen mukaan ilmaisin ei ehkä toimi oikein kaikissa tilanteissa.

KOKOONPANO

VAROITUS: Varmista aina ennen ruohonleikkurin huolto- ja korjaustoimia, että lukitusavain ja akkupaketti on irrotettu. Jos lukitusavainta ja akkua ei irroteta, laite voi käynnistyä vahingossa ja aiheuttaa vakavia vammoja.

VAROITUS: Älä koskaan käynnistä työkalua, jos sen kaikkia osia ei ole täysin asennettu. Jos kaikkia osia ei ole asennettu, työkalu voi käynnistyä tahattomasti ja aiheuttaa vakavia vammoja.

Akun suojuksen asennus

VAROITUS: Älä aseta lukitusavainta ja akkupakettia paikalleen ennen akun suojuksen asentamista. Jos näin ei toimita, seurauksena voi olla vakavia vammoja.

Asenna akun kansi kokonaan ennen käyttöä. Akun kansi suojaa ruohonleikkuria ja akkupakettia mudalta, liialta ja vedeltä.

1. Aseta akun kansi niin, että ruohonleikkurin ulokeet asettuvat linjaan akun kannen reikien kanssa.

► **Kuva10:** 1. Uloke 2. Reikä 3. Akun suojuks

2. Aseta molemmat kätesi akun suojuksen keskikohtaan ja paina sitä.

► **Kuva11**

3. Tarkista ennen ensimmäistä käyttökertaa, että akun suojuksen saranakohta on liitetty oikein. Jos akun kansi on asennettu oikein, se ei aukea, ennen akun kannen lukitusvipua vedetään.

► **Kuva12:** 1. Saranakohta 2. Akun suojuksen lukitusvipu

Kahvan asentaminen

HUOMAUTUS: Kun asennat kahvoja, sijoita liitäntäjohdot siten, etteivät ne voi tarttua mihinkään kahvojen välissä. Jos virtajohto vaurioitunut, ruohonleikkurin kytkin ei ehkä toimi.

1. Työnnä molemmat päät ruohonleikkurin alemman kahvan uriin ja kiristä sitten kiristysruuvi.

► **Kuva13:** 1. Kiristysruuvi 2. Alakahva

2. Kohdista ylemmän kahvan ja alemman kahvan ruuvinreiät. Kiinnitä ne kiristysruuveilla ja -muttereilla.

► **Kuva14:** 1. Kiristysmutteri 2. Kiristysruuvi

HUOMAA: Pidä yläkahvaa lujasti niin, ettei se putoa kädestäsi.

3. Kiinnitä pidikkeet kahvaan. Sijoita virtajohto kuvan mukaan.

► **Kuva15:** 1. Kannatin

Ruohonleikkuuterän irrotus ja asentaminen

VAROITUS: Irrota lukitusavain ja akku aina ennen terän irrottamista ja asentamista. Jos lukitusavainta ja akkupakettia ei irroteta, seurauksena voi olla vakavia vammoja.

VAROITUS: Terä pyörii vielä muutaman sekunnin ajan kytkimen vapauttamisen jälkeen. Älä aloita mitään toimenpidettä, ennen kuin terä on täysin pysähtynyt.

VAROITUS: Käytä aina suojakäsineitä, kun käsittelet terää.

Irrota ruohonleikkuuterä seuraten seuraavia vaiheita.

1. Käännä ruohonleikkuri kyljelleen siten, että leikkukorkeuden säätövipu tulee yläpuolelle.

2. Voit lukita terän pyörimisen työntämällä ruuvimeisselin tai vastaavan työkalun reikään terän pohjassa.

3. Kierrä pulttia vastapäivään kiintoavaimella.

► **Kuva16:** 1. Ruohonleikkurin terä 2. Ruuvitaltta 3. Kiintoavain

4. Irrota pultti, ulkolaippa, ruohonleikkuuterä ja sisälaippa järjestyksessä.

► **Kuva17:** 1. Sisälaippa 2. Pyörimissuunnan nuoli 3. Ulkolaippa 4. Pultti 5. Ruohonleikkurin terä

Ruohonleikkuuterä asennetaan päinvastaisessa järjestyksessä.

VAROITUS: Asenna terä huolellisesti. Siinä on ylä-/alapuoli. Asenna terä siten, että terän pyörimissuuntanuoli osoittaa ulospäin.

VAROITUS: Kiinnitä sitten terä paikalleen kiristämällä mutteri tiukasti myötäpäivään kiertäen.

VAROITUS: Varmista, että terä ja kaikki kiinnitysosat on asennettu oikein ja kunnolla kiristetty.

VAROITUS: Kun vaihdat teriä, noudata aina tämän oppaan ohjeita.

Ruohosäiliön asentaminen

1. Irrota lukitusavain.

2. Nosta ruohonleikkuriin rungon takasuojusta.

► **Kuva18**

3. Ripusta ruohosäiliö ruohonleikkurin rungon uraan kuvan mukaisesti.

► **Kuva19:** 1. Koukku 2. Ura 3. Ruohosäiliö

TYÖSKENTELY

Ruohonleikkuu

VAROITUS: Poista kepit ja kivet leikkuaalueelta ennen leikkua aloittamista. Poista myös rikkaruohot alueelta ennen ruohon leikkaamista.

VAROITUS: Käytä sivusuojilla varustettuja suojalaseja aina, kun käytät ruohonleikkuria.

► **Kuva20**

Pidä ruohonleikkurin kahvasta tukevasti molemmin käsin kiinni leikkua aikana.

Etupyörien ulkoreunat toimivat leikkuleveyden oppaana. Käytä etupyörien ulkoreunoja apuna arvioinnissa ja leikkaa kaista kerrallaan siten, että uusi kaista on noin kolmasosasta puoleen väliin liimitään edellisen kaistan kanssa. Näin leikatusta nurmikosta tulee tasainen.

Tarkista aika ajoon ruohosäiliöstä leikattu ruohomäärä.

Tyhjennä ruoho, ennen kuin se on täynnä. Varmista ennen tarkastusta, että ruohonleikkuri on pysäytetty ja lukitusavain ja akkupaketti on irrotettu.

HUOMAA: Jos ruohonleikkuria käytetään täysinäisellä ruohosäiliöllä, terä ei pääse pyörimään esteettä, mikä rasittaa moottoria ja voi vaurioittaa sitä.

Pitkän ruohon leikkaaminen

Älä yritä leikata pitkäksi kasvanutta nurmikkoa kokonaan yhdellä leikkuukerralla. Leikkaa sen sijaan nurmikkoa useammassa vaiheessa. Jätä päivä tai kaksi leikkuukertojen väliin, kunnes nurmikko tulee tasaisen lyhyeksi.

HUOMAA: Pitkän ruohon leikkaaminen lyhyeksi yhdellä kerralla voi aiheuttaa ruohon kuolemisen. Ruoho voi myös tukkia ruohonleikkurin rungon sisäpuolella.

Ruohosäiliön tyhjentäminen

VAROITUS: Onnettomuusriskin pienentämiseksi ruohosäiliön kuntoa tulee valvoa jatkuvasti ja vaurioitunut tai heikentynyt säiliö on tarvittaessa vaihdettava. Vaihda ruohosäiliö tarvittaessa.

1. Vapauta kytkinvipu.
2. Irrota lukitusavain.
3. Avaa takasuojus, tartu ruohosäiliön kahvaan ja vedä se irti kahvasta pidellen.
► **Kuva21:** 1. Takasuojus 2. Kahva
4. Tyhjennä ruohosäiliö.

SÄILYTTÄMINEN JA HUOLTO

VAROITUS: Varmista aina ennen tarkastus- huoltotoimien aloittamista, että lukitusavain ja akkupaketti on irrotettu ruohonleikkurista.

VAROITUS: Poista aina lukitusavain, kun leikkuri ei ole käytössä. Säilytä lukitusavainta turvallisessa paikassa lasten ulottumattomissa.

VAROITUS: Käytä käsineitä tarkastuksen ja huollon aikana.

HUOMAUTUS: Älä koskaan käytä bensiiniä, ohenteita, alkoholia tai tms. aineita. Muutoin pinta voi halkeilla tai sen värit ja muoto voivat muuttua. Muutoin laitteeseen voi tulla värjäytymiä, muodon vääristymiä tai halkeamia.

Huolto

1. Irrota lukitusavain. Säilytä sitä turvallisessa paikassa lasten ulottumattomissa.
2. Puhdista ruohonleikkuri vain kostealla liinalla. Älä ruiskuta tai kaada vettä ruohonleikkurin päälle puhdistuksen aikana.
3. Käännä ruohonleikkuri kyljelleen ja puhdista ruohonleikkurin kotelon pohjaan kerääntynyt ruohosilppu.
4. Tarkista kaikkien Mutterien, pulttien, nupprien, ruuvien, kiinnikkeiden ym. Kireyys.
5. Tarkista, etteivät liikkuvat osat ole vaurioiden, murtumien tai kulumien varalta. Vaurioituneet tai puuttuvat osat tulee korjata tai vaihtaa.

Säilytys

VAROITUS: Älä kanna ruohonleikkuria taivutetuista kahvoista tai säilytä sitä niiden varassa. Käytä niiden sijaan ruohonleikkurin etukahvaa. Ruohonleikkurin nostaminen taivutetuista kahvoista voi vaurioittaa laitetta tai aiheuttaa vakavia vammoja.

Irrota akkupaketti ennen ruoholeikkurin asettamista varastoon.

Säilytä ruohonleikkuria sisätiloissa viileässä, kuivassa ja lukituspaikassa. Älä säilytä työkalua ja laturia paikassa, jossa lämpötila voi nousta yli 40 °C:een tai sitä korkeammaksi.

► **Kuva22:** 1. Etukahva 2. Takakahva

1. Löysää kiristysruuvit ja levitä alakahva molemmille puolille. Siirrä kahvaa alas eteenpäin. Pidä nyt tukevasti kiinni alakahvasta niin, ettei se pääse putoamaan ruohonleikkurin rungon etäisemmälle puolelle.

► **Kuva23:** 1. Kiristysruuvi 2. Alakahva

2. Löysää kiristysmuttereita ja käännä yläkahvaa taakse levittään samalla molemmille puolille.

► **Kuva24:** 1. Kiristysmutteri 2. Yläkahva

3. Säilytä ruohosäiliötä kahvan ja ruohonleikkurin rungon välissä.

► **Kuva25:** 1. Ruohosäiliö

HUOMAA: Kun asetat ruohonleikkurin pystysuoraan asentoon, älä pidä kiinni kahvasta, vaan ruohonleikkurin etukahvasta.

Tuotteen TURVALLISUUDEN ja LUOTETTAVUUDEN takaamiseksi korjaukset, muut huoltotyöt ja säädöt on teetettävä Makitan valtuutetussa huoltopisteessä Makitan varaosia käyttäen.

VIANMÄÄRITYS

Tarkista laite ensin itse, ennen kuin viet sen korjattavaksi. Jos ongelmaan ei löydy ratkaisua käyttöoppaasta, älä kuitenkaan yritä purkaa työkalua osiin. Vie ota sen sijaan yhteyttä Makita-huoltoliikkeeseen. Käytä korjaamiseen aina alkuperäisiä Makita-varaosia.

Epänormaali tila	Todennäköinen syy (toimintahäiriö)	Korjaus
Ruohonleikkuri ei käynnisty.	Kahta akkupakettia ei ole asennettu.	Asenna ladatut akkupaketit paikalleen.
	Akkuongelma (alijännite)	Lataa akkupaketti. Jos lataaminen ei toimi tehokkaasti, vaihda akkupakettia.
	Lukitusavain ei ole paikallaan.	Laita lukitusavain paikalleen.
Moottori pysähtyy lyhyen käytön jälkeen.	Akun varaustila on alhainen.	Lataa akkupaketti. Jos lataaminen ei toimi tehokkaasti, vaihda akkupakettia.
	Leikkuukorkeus on liian alhainen.	Nosta leikkuukorkeutta.
Moottori ei saavuta suurinta kierroslukua.	Akkupaketti on asennettu väärin.	Asenna akkupaketti tämän käyttöohjeen ohjeiden mukaan.
	Akun teho laskee.	Lataa akkupaketti. Jos lataaminen ei toimi tehokkaasti, vaihda akkupakettia.
	Vetojärjestelmä ei toimi oikein.	Pyydä valtuutettua huoltoliikettäsi korjaamaan laite.
Leikkuutyökalu ei pyöri: ⇒ pysäytä ruohonleikkuri välittömästi!	Vieras esine, esimerkiksi oksa, on juuttunut lähelle terää.	Poista vieras esine.
	Vetojärjestelmä ei toimi oikein.	Pyydä valtuutettua huoltoliikettäsi korjaamaan laite.
Epänormaali terinä: ⇒ pysäytä ruohonleikkuri välittömästi!	Terä on epätasapainossa, liiallisesti tai epätasaisesti kulunut.	Vaihda terä.

LISÄVARUSTEET

⚠HUOMIO: Seuraavia lisävarusteita tai laitteita suositellaan käytettäväksi tässä ohjeessa kuvatun Makita-työkalun kanssa. Muiden lisävarusteiden tai laitteiden käyttö voi aiheuttaa henkilövahinkoja. Käytä lisävarusteita ja -laitteita vain niiden käyttötarkoituksen mukaisesti.

Jos tarvitset apua tai yksityiskohtaisempia tietoja seuraavista lisävarusteista, ota yhteys paikalliseen Makitan huoltoon.

- Ruohonleikkurin terä
- Aito Makita-akku ja -laturi

HUOMAA: Jotkin luettelossa mainitut varusteet voivat sisältyä työkalun toimitukseen vakiovarusteina. Ne voivat vaihdella maittain.








SPECIFIKĀCIJAS

Modelis:		DLM431	
Pļaušanas platums (asmens diametrs)		430 mm	
Ātrums bez slodzes		3 600 min ⁻¹	
Izmēri (G × P × A)	lietošanas laikā	Maks. 1 490 mm x 460 mm x 1 020 mm Min. 1 450 mm x 460 mm x 950 mm	
	uzglabājot (bez zāles groza)	490 mm x 460 mm x 910 mm	
Nominālais spriegums		Līdzstrāva 36 V	
Standarta akumulatora kasetne(-es) ▲Brīdinājums: Izmantojiet tikai aprakstīto akumulatora kasetni.		BL1815N/BL1820/BL1820B	BL1830/BL1830B/BL1840/ BL1840B/BL1850/BL1850B/ BL1860B
Tīrsvars		17,8 kg	18,3 kg

- Nepārtrauktās izpētes un izstrādes programmas dēļ šeit uzrādītās specifikācijas var mainīties bez brīdinājuma.
- Specifikācijas un akumulatora kasetne var atšķirties dažādās valstīs.
- Svārs ar akumulatora kasetni saskaņā ar EPTA-Procedure 01/2003

Simboli

Zemāk ir attēloti simboli, kas attiecas uz iekārtu. Pirms darbarīka izmantošanas pārliecinieties, vai pareizi izprotat to nozīmi.

	Esiet īpaši rūpīgs un uzmanīgs.
	Izlasiet lietošanas rokasgrāmatu.
	Bīstami! Sargieties no izviesiem priekšmetiem.
	Attālumam starp darbarīku un apkārtējiem jābūt vismaz 15 m.
	Netuviniet rokas un kājas asmeņiem zem pļaujmašīnas. Asmeņi turpina griezties arī pēc motora izslēgšanas.
	Pirms pļaujmašīnas pārbaudes, regulēšanas, tīrīšanas, apkopes, atstāšanas bez uzraudzības un uzglabāšanas izņemiet bloķēšanas atslēgu.
	Tikai ES valstīm Neizmetiet elektroiekārtas vai akumulatoru mājāsaimniecības atkritumos! Saskaņā ar Eiropas direktīvu par elektrisko un elektronisko iekārtu atkritumiem, kā arī par baterijām un akumulatoriem, un bateriju un akumulatoru atkritumiem un to īstenošanu saskaņā ar valsts likumdošanu lietotais elektriskais aprīkojums, baterijas un akumulators kalpošanas laika beigās jāsavāc atsevišķi un jānogādā otrreizējai pārstrādei vidi saudzējošā veidā.

Paredzētā lietošana

Ierīce paredzēta mauriņa pļaušanai.

Trokšņa līmenis

Tipiskais A svērtais trokšņa līmenis noteikts saskaņā ar EN60335:

Skaņas spiediena līmeni (L_{pA}): 80 dB (A)

Skaņas jaudas līmeni (L_{WA}): 93 dB (A)

Mainīgums (K): 3 dB (A)

Darbības laikā trokšņa līmenis var pārsniegt 80 dB (A).

Vibrācija

Vibrācijas kopējā vērtība (trīsasu vektora summa) noteikta atbilstoši EN60335:

Vibrācijas izmēte (a_h): 2,5 m/s² vai mazāk

Mainīgums (K): 1,5 m/s²

PIEZĪME: Paziņotā vibrācijas emisijas vērtība noteikta atbilstoši standartā pārbaudes metodei un to var izmantot, lai salīdzinātu vienu darbarīku ar citu.

PIEZĪME: Paziņoto vibrācijas emisijas vērtību arī var izmantot iedarbības sākotnējā novērtējumā.

▲BRĪDINĀJUMS: Reāli lietojot elektrisko darbarīku, vibrācijas emisija var atšķirties no paziņotās emisijas vērtības atkarībā no darbarīka izmantošanas veida.

▲BRĪDINĀJUMS: Lai aizsargātu lietotāju, nosakiet drošības pasākumus, kas pamatoti ar iedarbību reālos darba apstākļos (ņemot vērā visus ekspluatācijas cikla posmus, piemēram, laiku, kamēr darbarīks ir izslēgts un kad darbojas tukšgaitā, kā arī palaides laiku).

EK Atbilstības deklarācija

Tikai Eiropas valstīm

Makita paziņo, ka šāds instruments(-i):

Mašīnas nosaukums: Bezvada zāles pļaujmašīna

Modeļa Nr./tips: DLM431

Atbilst sekojošām Eiropas Direktīvām: 2000/14/EC, 2006/42/EC

Ražots saskaņā ar šādu standartu vai normatīvajiem dokumentiem: EN60335

Tehniskā lieta saskaņā ar 2006/42/EC ir pieejama: Makita, Jan-Baptist Vinkstraat 2, 3070, Beļģija
Atbilstības novērtējuma procedūra, ko nosaka direktīva 2000/14/EC atbilstīgi VI pielikumam.

Pieteiktā iestāde: TÜV Rheinland LGA Products GmbH
Am Grauen Stein 29 51105 Köln, Vācija
Identifikācijas numurs 0197

Izmērītais skaņas jaudas līmenis: 93 dB (A)
Garantētais skaņas jaudas līmenis: 94 dB (A)
1.12.2015

Yasushi Fukaya

Direktors

Makita, Jan-Baptist Vinkstraat 2, 3070, Beļģija

SVARĪGI DROŠĪBAS NOTEIKUMI

▲BRĪDINĀJUMS: Izlasiet visus drošības brīdinājumus un visus norādījumus. Brīdinājumu un norādījumu neievērošanas gadījumā var rasties elektriskās strāvas trieciens, ugunsgrēks un/vai nopietnas traumas.

Glabājiet visus brīdinājumus un norādījumus, lai varētu tajos ieskatīties turpmāk.

1. Neievietojiet atslēgu plaujmašīnā, ja tā nav gatava izmantošanai.
2. Bērni ir jāuzrauga, lai tie nerotaļātos ar plaujmašīnu.
3. Nekādā gadījumā nepieļaujiet, ka zāles plaujmašīnu izmanto bērni vai cilvēki, kas nepārzina šos norādījumus plaujmašīnas izmantošanai. Vietējie noteikumi var ierobežot lietotāja vecumu.
4. Nekādā gadījumā nestrādājiet ar plaujmašīnu, ja tuvumā ir cilvēki (īpaši bērni) vai dzīvnieki.
5. Nemiet vērā, ka operators vai lietotājs ir atbildīgs par negadījumiem vai apdraudējumu, kas radīts citiem cilvēkiem vai to īpašumam.
6. Izmantojot plaujmašīnu, vienmēr valkājiet izturīgus apavus un garās bikses. Nelietojiet plaujmašīnu, ja kājas ir basas vai valkājat atvērta sandales. Nevalkājiet apģērbu vai rotaslietas, kas ir vaļīgas vai kam ir auklas vai saites. Tās var iekerties kustīgajās daļās.
7. Plaujmašīnu izmantojiet tikai dienas gaismā vai labā mākslīgajā apgaismojumā.
8. Nelietojiet plaujmašīnu mitrā zālē.
9. Nelietojiet plaujmašīnu lietū.
10. **Bezvada darbarīka lietošana un apkope**
- Uzlādei izmantojiet tikai ražotāja norādītos lādētājus. Vienam akumulatora kasetnes tipam paredzēta lādētāja izmantošana cita tipa akumulatora kasetnes uzlādei var radīt ugunsgrēka bīstamību.
- Izmantojiet mehānizētos darbarīkus tikai ar paredzētajām akumulatora kasetnēm. Jebkura cita tipa akumulatora kasetņu izmantošana var radīt traumu vai aizdegšanās bīstamību.

- Ja akumulatora kasetne netiek izmantota, neļaujiet tai saskarties ar metāla izstrādājumiem, piemēram, skrūvēm, monētām, atslēgām, naglām, skrūvēn un tamlīdzīgiem priekšmetiem, kas var savienot abas spaiļes. Akumulatora spaiļu īssavienojums var izraisīt apdegumus vai aizdegšanos.

- Nepareizas lietošanas gadījumā no akumulatora var iztect šķidrums; nepieskarieties tam. Ja nejausi pieskārties šķidrumam, skarto vietu noskalojiet ar ūdeni. Ja šķidrums nokļūst acīs, papildus iepriekš minētajam, vērsieties pie ārsta. No akumulatora iztecejušais šķidrums var izraisīt kairinājumu vai apdegumus.

11. Rokturi vienmēr turiet cieši.
12. Strādājot nogāzē, pārliecinieties, ka atbalsts kājām ir stabils.
13. Pārvietojieties staigājot, nevis skrienot.
14. Paceļot vai turot plaujmašīnu, nesatveriet to aiz asmeņiem.
15. Fiziskais stāvoklis — nedarbiniet plaujmašīnu, ja esat narkotiku, alkohola vai zāļu ietekmē.
16. Rokas un kājas netuviniet rotējošiem asmeņiem. Uzmanību! Asmeņi turpina griezties arī pēc plaujmašīnas izslēgšanas.
17. Izmantojiet tikai šajā rokasgrāmatā norādītos ražotāja oriģinālos asmeņus.
18. Pirms sākt darbu, uzmanīgi pārbaudiet, vai asmeņiem nav plaisu vai bojājumu. Ieplaisājušus vai bojātos asmeņus nekavējoties nomainiet.
19. Pirms plaušanas pārbaudiet, vai darba zonā nav citu cilvēku. Apturiet plaujmašīnu, ja kāds ienāk darba zonā.
20. Pirms plaušanas atīriet darba zonu no sveškermeņiem, piemēram, akmeņiem, stieplēm, pudelēm, kauliem un lieliem zariem, lai nevienu netraumētu un nesabojātu plaujmašīnu.
21. Ja novērojāt ko neparastu, nekavējoties pārtrauciet plaujmašīnas lietošanu. Izslēdziet plaujmašīnu un izņemiet atslēgu. Pēc tam pārbaudiet plaujmašīnu.
22. Nekad nemēģiniet regulēt riteņu augstumu, ja plaujmašīna darbojas.
23. Pirms piebraucamo ceļu, taku, ceļu un ar granti klātu vietu šķērsošanas atļaidiet slēdža sviru. Atslēgu izņemiet arī tad, ja atstājat plaujmašīnu bez uzraudzības, sniedzaties kaut ko pacelt vai novākt no ceļa, kā arī citā gadījumā, kad varat novērst uzmanību no veicamā darba.
24. Plaujmašīnas asmens aizķertie priekšmeti var izraisīt smagas traumas. Pirms plaušanas vienmēr rūpīgi pārbaudiet, vai zālienā nav sveškermeņu.
25. Ja plaujmašīna trāpa kādam objektam, rīkojieties šādi:
- Apturiet plaujmašīnu, atļaidiet slēdža sviru un uzgaidiet, līdz asmens pilnībā apstājas.
- Izņemiet atslēgu un akumulatora kasetni.
- Rūpīgi pārbaudiet, vai plaujmašīnai nav bojājumu.
- Nomainiet asmeni, ja tas ir bojāts. Bojājumu novērsiet pirms plaujmašīnas atkārtotas iedarbināšanas un turpināšanas.

26. Regulāri pārbaudiet, vai zāles grozs nav nodilis vai nolietojies. Kad ierīci liekat glabāšanā, pārbaudiet, vai zāles grozs ir tukšs. Nodilušu zāles grozu drošības nolūkā nomainiet pret jaunu rūpnīcas rezerves grozu.
27. Īpaši uzmanieties, strādājot atpakaļgaitā vai velkot plaujmašīnu pie sevis.
28. Apturiet asmeni(-ņus), ja plaujmašīna ir jāasver, pārvietojot vai šķērsojot virsmu, kas nav zāle, kā arī pārvietojot plaujmašīnu uz plaušanas vietu un no tās.
29. Nekādā gadījumā nelietojiet plaujmašīnu, ja bojāti tās aizsargi vai vairogi vai ja nav uzstādītas drošības ierīces, piemēram, deflektori un/ vai zāles grozs.
30. Plaujmašīnu iedarbiniet uzmanīgi saskaņā ar norādījumiem un netuvinot pēdas asmenim(-ņiem).
31. Ieslēdzot motoru, nesasveriet plaujmašīnu, ja vien tā nav jāasver, lai iedarbinātu. Šādā gadījumā sasveriet to ne vairāk par nepieciešamo leņķi un paceliet tikai no operatora tālāko daļu.
32. Neiedarbiniet plaujmašīnu, ja stāvat pretī izvades atvērūmam.
33. Plaukstas vai pēdas nelieciet rotējošo detaļu tuvumā vai zem tām. Nekad nestāviet izvades atvērūma tuvumā.
34. Netransportējiet plaujmašīnu, ja tā ir ieslēgta.
35. Apturiet plaujmašīnu un noņemiet atspējošanas ierīci. Pārbaudiet, vai visas kustīgās daļas ir pilnībā apstājušās
- ja atstājat plaujmašīnu bez uzraudzības;
- pirms nosprostojumu tīrīšanas vai izlaides teknes tīrīšanas;
- pirms plaujmašīnas pārbaudīšanas, tīrīšanas vai remontēšanas;
- pēc atsišanās pret svešķermeņiem. Pārbaudiet, vai plaujmašīnai nav bojājumu; remontu veiciet pirms plaujmašīnas atkārtotas iedarbināšanas un lietošanas.
36. Ja plaujmašīna sāk neparasti vibrēt (nekaļējoties pārbaudiet)
- pārbaudiet, vai nav bojājumu;
- nomainiet vai saremontējiet bojātas daļas;
- pārbaudiet un pieskrūvējiet vajīgas detaļas.
37. Uzmanieties, regulējot plaujmašīnu, lai pirksti neiesprīstū starp ierīces kustīgajiem asmeņiem un fiksētājām daļām.
38. Plaujiet slīpi pāri nogāzei, nekad nepļaujiet uz augšu vai uz leju. Mainot virzienu nogāzēs, uzmanieties īpaši. Nepļaujiet pārāk stāvas nogāzes.
39. Nemazgājiet plaujmašīnu ar šļūteni; neļaujiet ūdenim iekļūt motorā un elektriskajos savienojumos.
40. Bieži pārbaudiet, vai stiprinājuma skrūve pievilktā pietiekami cieši.
41. Visus uzgrīzņus, bultskrūves un skrūves uzturiet cieši pievilktus, lai aprīkojums aizvien būtu drošā darba stāvoklī.
42. Pirms novietošanas glabātavā ļaujiet plaujmašīnai atdzist.
43. Veicot asmeņu apkopi, ņemiet vērā, ka, lai gan barošanas avots ir izslēgts, asmeņus joprojām var pārvietot.
44. Drošības nolūkā nomainiet nodilušas vai nolietotas daļas. Izmantojiet tikai oriģinālās rezerves daļas un piederumus.

SAGLABĀJIET ŠOS NORĀDĪJUMUS.

▲BRĪDINĀJUMS: NEPIEĻAUJIET to, ka labu iemaņu vai izstrādājuma labas pārzināšanas (darbarīku atkārtoti ekspluatējot) rezultātā vairs stingri neievērojāt šī izstrādājuma drošības noteikumus.

NEPAREIZI LIETOJOT darbarīku vai neievērojot šajā instrukcijā rokasgrāmātā minētos drošības noteikumus, var tikt gūtas smagas traumas.

Svarīgi drošības norādījumi par akumulatoru kasetni

1. Pirms akumulatora lietošanas izlasiet visus norādījumus un brīdinājumus, kuri attiecas uz (1) akumulatora lādētāju, (2) akumulatoru un (3) ierīci, kurā tiek izmantots akumulators.
2. Neizjauciet akumulatoru.
3. Ja akumulatora darbības laiks kļūva ievērojami īsāks, nekavējoties pārtrauciet to izmantot. Citādi, tas var izraisīt pārkarsējumu, uzliesmojumu vai pat sprādzienu.
4. Ja elektrolīts nonāk acīs, izskalojiet tās ar tīru ūdeni un nekavējoties griezieties pie ārsta. Tas var izraisīt redzes zaudēšanu.
5. Neradiet īssavienojumu akumulatora kasetnē:
 - (1) Nepieskarieties spaiļēm ar elektrību vadošiem materiāliem.
 - (2) Neuzglabājiet akumulatoru kasetni kopā ar citiem metāla priekšmetiem, tādiem kā naglas, monētas u. c.
 - (3) Nepakļaujiet akumulatora kasetni ūdens vai lietus iedarbībai.

Akumulatora īssavienojums var radīt spēcīgu strāvas plūsmu, pārkarsānu, uzliesmojumu un pat sabojāt akumulatoru.
6. Neglabājiet darbarīku un akumulatora kasetni vietās, kur temperatūra var sasniegt vai pārsniegt 50 °C (122 °F).
7. Nededziniet akumulatora kasetni, pat ja tā ir stipri bojāta vai pilnībā nolietota. Akumulatora kasetne ugunī var eksplodēt.
8. Uzmanieties, lai neļautu akumulatoram nokrist un nepakļautu to sitienam.
9. Neizmantojiet bojātu akumulatoru.
10. Uz izmantotajiem litija jonu akumulatoriem attiecas likumdošanas prasības par bīstamiem izstrādājumiem. Komerciālā transportēšanā, ko veic, piemēram, trešās puses, transporta uzņēmumi, jāievēro uz iesaiņojuma un marķējuma norādītās īpašās prasības.

Lai izstrādājumu sagatavotu nosūtīšanai, jāasaziņās ar bīstamo materiālu speciālistu. Ievērojiet arī citus attiecināmos valsts normatīvus. Vajējus kontaktus nosedziet ar līmlenti vai citādi pārklājiet, bet akumulatoru iesaiņojiet tā, lai sainīt tas nevarētu izkustēties.

11. Ievērojiet vietējos noteikumus par akumulatora likvidēšanu.

SAGLABĀJIET ŠOS NORĀDĪJUMUS.

⚠UZMANĪBU: Lietojiet tikai oriģinālos Makita akumulatorus. Ja lietojat neoriģinālus Makita akumulatorus vai pārveidotus akumulatorus, tie var uzsprāgt un izraisīt aizdegšanos, traumas un materiālos zaudējumus. Tiks anulēta arī Makita darbarīka un lādētāja garantija.

Ieteikumi akumulatora kalpošanas laika pagarināšanai

1. Uzlādējiet akumulatora kasetni, pirms tā ir pilnībā izlādējusies. Vienmēr, kad ievērojat, ka darbarīka darba jauda zudusi, apturiet darbarīku un uzlādējiet akumulatora kasetni.
2. Nekad neuzlādējiet pilnībā uzlādētu akumulatora kasetni. Pārmērīga uzlāde saīsina akumulatora kalpošanas laiku.
3. Uzlādējiet akumulatora kasetni istabas temperatūrā 10 °C - 40 °C. Karstai akumulatora kasetnei pirms uzlādes ļaujiet atdzist.
4. Uzlādējiet litija jonu akumulatora kasetni, ja to ilgstoši nelietosit (vairāk nekā sešus mēnešus).

FUNKCIJU APRAKSTS

Akumulatora kasetnes uzstādīšana un izņemšana

⚠UZMANĪBU: Pirms akumulatora kasetnes uzstādīšanas vai noņemšanas vienmēr izslēdziet darbarīku.

⚠UZMANĪBU: Pirms lietošanas pārbaudiet, vai akumulatora vāks ir bloķēts. Citādi dubļi, netīrumi vai ūdens var izraisīt izstrādājuma vai akumulatora kasetnes bojājumus.

⚠UZMANĪBU: Vienmēr ievietojiet akumulatora kasetni līdz galam, lai sarkanās krāsas indikators nebūtu redzams. Pretējā gadījumā tā var nejauši izkrist no darbarīka un izraisīt jums vai apkārtējiem traumas.

⚠UZMANĪBU: Neievietojiet akumulatora kasetni ar spēku. Ja kasetne neslīd ietvarā viegli, tā nav pareizi ielikta.

PIEZĪME: Darbarīks nedarbojas ar tikai vienu akumulatora kasetni.

Darbības akumulatora kasetnes uzstādīšana

1. Pabīdiet akumulatora vāka fiksācijas sviru un atveriet akumulatora vāku.
- ▶ **Att.1:** 1. Akumulatora vāks 2. Akumulatora vāka fiksācijas svira

2. Salāgojiet akumulatora kasetnes mēlīti ar plaujmašīnas līgzdu, tad bīdīet kasetni, līdz tā ar klikšķi nofiksējas paredzētajā vietā. Ja pogas augšdaļā redzams sarkanās krāsas indikators, akumulatora kasetne nav pilnībā fiksēta.

▶ **Att.2:** 1. Akumulatora kasetne

3. Bloķēšanas atslēgu ievietojiet attēlā redzamajā vietā līdz galam.

▶ **Att.3:** 1. Bloķēšanas atslēga

4. Aizveriet akumulatora vāku un bīdīet, līdz to nofiksē fiksācijas svira.

Darbības akumulatora kasetnes izņemšana no plaujmašīnas

1. Pabīdiet akumulatora vāka fiksācijas sviru un atveriet akumulatora vāku.
2. Akumulatora kasetni izņemiet no plaujmašīnas, vienlaikus bīdot pogu kasetnes priekšpusē.
3. Izvelciet bloķēšanas atslēgu.
4. Aizveriet akumulatora vāku.

Darbarīka/akumulatora aizsardzības sistēma

Darbarīks ir aprīkots ar darbarīka/akumulatora aizsardzības sistēmu. Šī sistēma automātiski izslēdz jaudas padevi motoram, lai pagarinātu darbarīka un akumulatora kalpošanas laiku. Darbarīks automātiski pārstās darboties ekspluatācijas laikā, ja darbarīku vai akumulatoru pakļaus kādam no šiem apstākļiem. Dažu apstākļu gadījumā izgaismojas indikatori.

Aizsardzība pret pārslodzi

Ja darbarīku ekspluatācijas laikā lieto tādā veidā, ka tas saista pārmērīgu strāvu, darbarīks automātiski pārstāj darboties bez jebkādam norādēm. Šādā gadījumā izslēdziet darbarīku un pārtrauciet darbību, kas izraisīja darbarīka pārslodzi. Tad ieslēdziet darbarīku, lai atsāktu darbu.

Aizsardzība pret pārkaršanu

Kad darbarīks ir pārkaršis, tas automātiski pārstāj darboties. Pirms atkārtotas ieslēgšanas ļaujiet darbarīkam atdzist.

Aizsardzība pret akumulatora pārmērīgu izlādi

Kad akumulatora jauda ir zema, darbarīks automātiski pārstāj darboties. Ja darbarīks nedarbojas, pat ieslēdzot slēdzus, no darbarīka izņemiet akumulatoru un veiciet akumulatoram uzlādi.

Atlikušās akumulatora jaudas indikators

- ▶ **Att.4:** 1. Akumulatora indikators 2. Pārbaudes poga
- Nospiediet pārbaudes pogu, lai pārbaudītu akumulatora atlikušo jaudu. Akumulatora indikatori atbilst katram akumulatoram.

Akumulatora indikatora stāvoklis		Atlikusī akumulatora jauda
ieslēgts	izslēgts	
		50% - 100%
		20% - 50%
		0% - 20%

Atlikušās akumulatora jaudas indikators

Tikai akumulatoru kasetnēm, kuru modeļa numura beigās ir burts „B”

► **Att.5:** 1. Indikatora lampas 2. Pārbaudes poga

Nospiediet akumulatora kasetnes pārbaudes pogu, lai pārbaudītu akumulatora atlikušo uzlādes līmeni. Indikatoru iedegsies uz dažām sekundēm.

Indikatora lampas			Atlikusī jauda
lededzies	izslēgts	Mirgo	
			No 75% līdz 100%
			No 50% līdz 75%
			No 25% līdz 50%
			No 0% līdz 25%
			Uzlādējiet akumulatoru.
			Iespējama akumulatora kļūme.

PIEZĪME: Reālā jauda var nedaudz atšķirties no norādītās atkarībā no lietošanas apstākļiem un apkārtējās temperatūras.

Slēdža darbība

BRĪDINĀJUMS: Pirms akumulatora kasetnes uzstādīšanas vienmēr pārbaudiet, vai slēdža svira darbojas pareizi un pēc atlaišanas atgriežas sākotnējā stāvoklī. Lietojot darbarīku, kura slēdzis nedarbojas pareizi, var zaudēt kontroli un gūt smagu traumu.

PIEZĪME: Pļaujmašīna nesāk darboties bez slēdža pogas nospiešanas pat tad, ja ir pārbīdīta slēdža svira.

PIEZĪME: Mēģinot pļaut garu, mitru zāli, pārslodzes dēļ pļaujmašīnu var neizdoties iedarbināt. Šādā gadījumā palieliniet pļaušanas augstumu.

Šī pļaujmašīna ir aprīkota ar bloķēšanas slēdzi un roktura slēdzi. Ja konstatējat, ka kāds no šiem slēdžiem darbojas nepareizi, nekavējoties pārtrauciet lietošanu un nododiet mašīnu pārbaudei tuvākajā pilnvarotajā Makita apkopes centrā.

1. Uzstādiet akumulatora kasetnes. Bloķēšanas atslēgu ievietojiet bloķēšanas slēdzī, tad aizveriet akumulatora vāku.

► **Att.6:** 1. Akumulatora kasetne 2. Bloķēšanas atslēga

2. Nospiediet un turiet slēdža pogu.

3. Satveriet augšējo rokturi un pavelciet slēdža sviru.

► **Att.7:** 1. Slēdža poga 2. Slēdža svira

4. Kad motors iedarbināts, atlaidiet slēdža pogu. Pļaujmašīna turpinās darboties, līdz atlaidīsiet slēdža sviru.

5. Lai apturētu motoru, atlaidiet slēdža sviru.

Pļaušanas augstuma regulēšana

BRĪDINĀJUMS: Nekad nelieciet rokas un kājas zem pļaujmašīnas, kad regulējat pļaušanas augstumu.

BRĪDINĀJUMS: Pirms lietošanas vienmēr pārbaudiet, vai svira pilnībā nofiksējusies rievā.

Pļaušanas augstumu var regulēt diapazonā 20 mm—75 mm.

1. Izņemiet bloķēšanas atslēgu.

2. Pļaušanas augstuma regulēšanas sviru pavelciet pret pļaujmašīnas korpusu un pārbīdiet vajadzīgajā pļaušanas augstumā.

► **Att.8:** 1. Pļaušanas augstuma regulēšanas svira

PIEZĪME: Pļaušanas augstumu norādošie skaitļi jāuzskata tikai par informatīviem. Mauriņa vai grunts stāvokļa dēļ faktiskais zāliena augstums var nedaudz atšķirties no iestatītā augstuma.

PIEZĪME: Lai noregulētu nepieciešamo augstumu, zāles pļaušanu izmēģiniet mazāk redzamā vietā.

Zāles līmeņa indikators

► **Att.9:** 1. Zāles līmeņa indikators

Zāles līmeņa indikators rāda nopļautās zāles daudzumu.

- Ja zāles grozs nav pilns, indikators pļaušanas laikā pārvietojas.
- Ja zāles grozs ir pilns, indikators pļaušanas laikā nepārvietojas. Šādā gadījumā nekavējoties pārtrauciet pļaut un iztukšojiet grozu. Pēc groza iztukšošanas to iztīriet, lai tā siets laistu cauri gaisu.

PIEZĪME: Šā indikatora rādījumus ir aptuveni. Groza iekšpuses stāvokļa dēļ indikators var nedarboties pareizi.

MONTĀŽA

▲BRĪDINĀJUMS: Pirms darbošanās ap plaujmašīnu vienmēr pārbaudiet, vai bloķēšanas atslēga un akumulatora kasetne ir izņemta. Ja bloķēšanas atslēgu un akumulatora kasetni neizņem, tad plaujmašīnai nejauši ieslēdzoties, var gūt smagas traumas.

▲BRĪDINĀJUMS: Nekādā gadījumā neiedarbiniet plaujmašīnu, ja tā nav pilnībā samontēta. Daļēji samontēta darbarīka nejauša iedarbināšana var radīt smagas traumas.

Akumulatora vāka uzstādīšana

▲BRĪDINĀJUMS: Bloķēšanas atslēgu un akumulatora kasetni neievietojiet pirms akumulatora vāka uzstādīšanas. Neievērojot šo nosacījumu, var gūt smagas traumas.

Pirms plaujmašīnas lietošanas pilnībā uzstādiet akumulatora vāku. Akumulatora vāks plaujmašīnu un akumulatora kasetni aizsargā pret dubļiem, netīrumiem un ūdeni.

1. Uzlieciet akumulatora vāku, plaujmašīnas izvirdījumu salāgojot ar akumulatora vāka atverēm.

► **Att.10:** 1. Izvirdījums 2. Atvere 3. Akumulatora vāks

2. Akumulatora vāka vidū uzlieciet plaukstu piespiediet vāku.

► **Att.11**

3. Pirms pirmās lietošanas reizes pārbaudiet, vai akumulatora vāka pagriešanas punkts ir piestiprināts pareizi. Ja akumulatora vāks uzstādīts pareizi, to nevarēs atvērt, nepavelkot akumulatora vāka fiksācijas sviru.

► **Att.12:** 1. Pagriešanas punkts 2. Akumulatora vāka fiksācijas svira

Roktura uzstādīšana

IEVĒRĪBAI: Uzstādot rokturus, vadus novietojiet tā, lai tie nevarētu iekerties starp rokturiem. Ja vads ir bojāts, plaujmašīnas slēdzis var nedarboties.

1. Abus apakšējā roktura galus iebīdīet plaujmašīnas rievās, tad pilnībā pievelciet saspiedēja skrūves.

► **Att.13:** 1. Saspiedēja skrūve 2. Apakšējais rokturis

2. Salāgojiet augšējā un apakšējā roktura skrūvju atveres. Rokturus nostipriniet ar saspiedēja skrūvēm un uzgriežņiem.

► **Att.14:** 1. Stiprinājuma uzgriežnis 2. Saspiedēja skrūve

PIEZĪME: Lai augšējais rokturis neizkristu jums no rokām, turiet to cieši.

3. Rokturim piestipriniet turētājus. Barošanas kabeli novietojiet tā, kā parādīts attēlā.

► **Att.15:** 1. Turētājs

Plaujmašīnas asmens noņemšana vai uzstādīšana

▲BRĪDINĀJUMS: Uzstādot vai noņemot asmeni, vienmēr izņemiet bloķēšanas atslēgu un akumulatora kasetni. Neizņemot bloķēšanas atslēgu un akumulatora kasetni, var gūt smagas traumas.

▲BRĪDINĀJUMS: Asmens pēc slēdža atlaišanas turpina kustēties pēc inerces. Neveiciet nekādas darbības, kamēr asmens nav pilnībā apstājies.

▲BRĪDINĀJUMS: Rīkojoties ar asmeni, vienmēr valkājiet cimdus.

Lai noņemtu plaujmašīnas asmeni, rīkojieties šādi.

1. Plaujmašīnu novietojiet uz sāniem tā, lai plaušaņas augstuma regulēšanas svira atrastos augšpusē.

2. Lai bloķētu asmens griešanos, asmens pamatnes atverē ievietojiet skrūvgriezi vai līdzīgu instrumentu.

3. Ar uzgriežņu atslēgu grieziet skrūvi pretēji pulksteņrādītāju kustības virzienam.

► **Att.16:** 1. Plaujmašīnas asmens 2. Skrūvgriezis 3. Uzgriežņu atslēga

4. Secīgi izskrūvējiet skrūvi, noņemiet ārējo atloku, plaujmašīnas asmeni un iekšējo atloku.

► **Att.17:** 1. Iekšējais atloks 2. Griešanās virziena bultīņa 3. Ārējais atloks 4. Skrūve 5. Plaujmašīnas asmens

Lai uzstādītu plaujmašīnas asmeni, noņemšanas darbības izpildiet pretējā secībā.

▲BRĪDINĀJUMS: Uzmanīgi uzstādiet asmeni. Tā augšpuse un apakšpuse atšķiras. Asmeni novietojiet tā, lai griešanās virziena bultīņa būtu ārpusē.

▲BRĪDINĀJUMS: Lai asmeni nostiprinātu, skrūvi pievelciet pulksteņrādītāju kustības virzienā.

▲BRĪDINĀJUMS: Pārliecinieties, ka asmens un visas fiksējošās daļas uzstādītas pareizi un pievilktas cieši.

▲BRĪDINĀJUMS: Nomainot asmeņus, vienmēr izpildiet norādījumus šajā rokasgrāmatā.

Zāles groza uzstādīšana

1. Izņemiet bloķēšanas atslēgu.

2. Paceliet plaujmašīnas korpusa aizmugurējo aizsargu.

► **Att.18**

3. Zāles grozu plaujmašīnas korpusa rievā ieāķējiet tā, kā parādīts attēlā.

► **Att.19:** 1. Āķis 2. Rieva 3. Zāles grozs

EKSPLUATĀCIJA

Pļaušana

▲BRĪDINĀJUMS: Pirms pļaušanas no pļaušanas vietas aizvāciet žaģarus un akmeņus. Pļaušanas vietu attīriet arī no nezālēm.

▲BRĪDINĀJUMS: Lietojot pļaujmašīnu, vienmēr valkājiet aizsargbrilles vai brilles ar sānu aizsargiem.

► Att.20

Pļaušanas laikā ar abām rokām cieši turiet zāles pļaujmašīnas rokturi.

Priekšējo riteņu ārmalas ir pļaušanas platuma norāde. Lai zālienu nopļautu līdzeni, izmantojot abas priekšējo riteņu ārmalas kā norādi, pļaujiet līnijās, ļaujot tām pārklāties par pusi vai vienu trešdaļu.

Periodiski pārbaudiet zāles groza saturu. Iztukšojiet grozu, pirms tas ir pilns. Pirms regulārās pārbaudes apturiet pļaujmašīnu, tad izņemiet bloķēšanas atslēgu un akumulatora kasetni.

PIEZĪME: Izmantojot pļaujmašīnu ar pilnu zāles grozu, asmeņi nevarēs brīvi griezties un motoram radīsies papildu slodze, kas var izraisīt bojājumus.

Pļaujot zālienu ar garu zāli

Nemēģiniet nopļaut garu zāli vienā paņēmiēnā. Labāk pļaujiet to vairākos piegājienos. Lai mauriņu nopļautu vienmērīgi īsi, pļaujiet ik pēc dienas vai divām.

PIEZĪME: Ja garu zāli vienā reizē nopļauj pavisam īsu, tā var iznikt. Nopļautā zāle var iesprūst pļaujmašīnas korpusā.

Zāles groza iztukšošana

▲BRĪDINĀJUMS: Lai nepieļautu negadījumus, regulāri pārbaudiet, vai zāles grozs nav bojāts vai nodilis. Ja nepieciešams, nomainiet zāles grozu.

1. Atlaidiet slēdža sviru.
2. Izņemiet bloķēšanas atslēgu.
3. Paceliet aizmugurējo aizsargu un, turot aizrokturu, izņemiet zāles grozu.
► **Att.21:** 1. Aizmugurējais aizsargs 2. Rokturis
4. Iztukšojiet zāles grozu.

APKOPE UN GLABĀŠANA

▲BRĪDINĀJUMS: Pirms pārbaudes vai apkopes vienmēr no pļaujmašīnas izņemiet bloķēšanas atslēgu un akumulatora kasetni.

▲BRĪDINĀJUMS: Ja pļaujmašīnu nelietojat, vienmēr izņemiet bloķēšanas atslēgu. Bloķēšanas atslēgu glabājiet drošā, bērniem neaizsniežamā vietā.

▲BRĪDINĀJUMS: Veicot pārbaudi vai apkopi, valkājiet cimdus.

IEVĒRĪBAI: Nekad neizmantojiet gazolinu, benzīnu, atšķaidītāju, spirtu vai līdzīgus šķidrumus. Tas var radīt izbalēšanu, deformāciju vai plaisas.

Apkope

1. Izņemiet bloķēšanas atslēgu. Glabājiet to drošā, bērniem neaizsniežamā vietā.
2. Pļaujmašīnu tīriet tikai ar mitru drānu. Tīrīšanas laikā nesmidziniet un neļieiet uz pļaujmašīnas ūdeni.
3. Pļaujmašīnu nolieciet uz sāniem un iztīriet atgriezumus, kas uzkrājušies pļaujmašīnas apakšā.
4. Pārbaudiet, vai uzgriežņi, bultskrūves, regulatori, skrūves, aizslēgi u.c. pievilkti cieši.
5. Pārbaudiet, vai kustīgās daļas nav bojātas, salūzušas vai nodilušas. Bojātās vai trūkstošās daļas jāremontē vai jāaizvieto.

Glabāšana

▲BRĪDINĀJUMS: Kad pļaujmašīnu pārnesat vai novietojat glabātavā, turiet to nevis aiz salokāmā roktura, bet gan priekšējā roktura. Turot aiz salokāmajiem rokturiem, var gūt smagas traumas vai sabojāt pļaujmašīnu.

Pirms pļaujmašīnas novietošanas glabātavā izņemiet no tās akumulatora kasetni.

Pļaujmašīnu glabājiet vēsā, sausā un aizslēdzamā telpā. Pļaujmašīnu un lādētāju neglabājiet vietā, kur temperatūra var sasniegt vai pārsniegt 40 °C (104 °F).

► **Att.22:** 1. Priekšējais rokturis 2. Aizmugurējais rokturis

1. Atlaidiet saspiedēja skrūves un izvērsiet apakšējo rokturi uz abām pusēm. Rokturi nolaidiet uz priekšu. Tajā pašā laikā stingri turiet apakšējo rokturi, lai tas nenokristu pļaujmašīnas korpusa tālākajā pusē.
► **Att.23:** 1. Saspiedēja skrūve 2. Apakšējais rokturis
2. Atlaidiet stiprinājuma uzgriežņus un pagrieziet augšējo rokturi atpakaļ, vienlaikus izvēršot abas puses.
► **Att.24:** 1. Stiprinājuma uzgrieznis 2. Augšējais rokturis
3. Zāles grozu glabājiet starp rokturi un pļaujmašīnas korpusu.
► **Att.25:** 1. Zāles grozs

PIEZĪME: Novietojot pļaujmašīnu vertikālā stāvoklī, neturiet rokturi, bet izmantojiet pļaujmašīnas priekšējo rokturi.

Lai saglabātu izstrādājuma DROŠU un UZTICAMU darbību, remontdarbus, apkopi un regulēšanu uzticiet veikt tikai Makita pilnvarotam vai rūpnīcas apkopes centram, un vienmēr izmantojiet tikai Makita rezerves daļas.

PROBLĒMU NOVĒRŠANA

Pirms nodošanas remontā vispirms veiciet pārbaudi pats. Ja konstatējat kļūmi, kas nav aprakstīta rokasgrāmatā, nemēģiniet darbarīku izjaukt. Dodieties uz Makita pilnvarotu apkopes centru un remontam vienmēr izmantojiet tikai Makita rezerves daļas.

Neatbilstošas darbības stāvoklis	Iespējamais iemesls (kļūme)	Risinājums
Pļaujmašīna nesāk darboties.	Nav uzstādītas divas akumulatora kasetnes.	Uzstādiet uzlādētas akumulatora kasetnes.
	Akumulatora kļūme (zems spriegums)	Uzlādējiet akumulatora kasetni. Ja uzlāde nav veiksmīga, nomainiet akumulatora kasetni.
	Nav ievietota bloķēšanas atslēga.	Ievietojiet bloķēšanas atslēgu.
Motors izslēdzas pēc neilgas darbināšanas.	Akumulatora uzlādes līmenis ir par zemu.	Uzlādējiet akumulatora kasetni. Ja uzlāde nav veiksmīga, nomainiet akumulatora kasetni.
	Griešanas augstums ir par mazu.	Palieliniet griešanas augstumu.
Motors nesasniedz maksimālo apgriezīgu skaitu minūtē.	Akumulatora kasetne nav uzstādīta pareizi.	Akumulatora kasetni uzstādiet pēc norādījumiem šajā rokasgrāmatā.
	Samazinās akumulatora jauda.	Uzlādējiet akumulatora kasetni. Ja uzlāde nav veiksmīga, nomainiet akumulatora kasetni.
	Piedziņas sistēma nedarbojas pareizi.	Ierīci aizgādājiet uz remontu vietējā pilnvarotā apkopes centrā.
Griezējinstrumenti negriežas: ⇒ nekavējoties apturiet pļaujmašīnu!	Pie asmens iesprūdis kāds svešķermenis, piemēram, zars.	Izņemiet svešķermeni.
	Piedziņas sistēma nedarbojas pareizi.	Ierīci aizgādājiet uz remontu vietējā pilnvarotā apkopes centrā.
Pārmērīga vibrācija: ⇒ nekavējoties apturiet pļaujmašīnu!	Asmens nav nolīmeņots, ir pārmērīgi vai nevienmērīgi nodilis.	Nomainiet asmeni.

PAPILDU PIEDERUMI

⚠ UZMANĪBU: Šādi piederumi un papildierīces tiek ieteiktas lietošanai ar šajā rokasgrāmatā aprakstīto Makita darbarīku. Izmantojot citus piederumus vai papildierīces, var tikt radīta trauma gūšanas bīstamība. Piederumu vai papildierīci izmantojiet tikai paredzētajam mērķim.

Ja jums vajadzīga palīdzība vai precīzāka informācija par šiem piederumiem, vērsieties savā tuvākajā Makita apkopes centrā.

- Pļaujmašīnas asmens
- Makita oriģinālais akumulators un lādētājs

PIEZĪME: Daži sarakstā norādītie izstrādājumi var būt iekļauti instrumenta komplektācijā kā standarta piederumi. Tie dažādās valstīs var būt atšķirīgi.






SPECIFIKACIJOS

Modelis:		DLM431	
Pjovimo plotis (peilio skersmuo)		430 mm	
Be apkrovos		3 600 min. ⁻¹	
Matmenys (I x P x A)	veikimo metu	Maks. 1 490 mm x 460 mm x 1 020 mm Min. 1 450 mm x 460 mm x 950 mm	
	laikant (be žolės surinkimo krepšio)	490 mm x 460 mm x 910 mm	
Vardinė įtampa		Nuol. sr. 36 V	
Standartinė (-ės) akumuliatoriaus kasėtė (-ės) ▲Perspėjimas: naudokite tik aprašytą (-as) akumuliatoriaus kasėtę (-es).		BL1815N/BL1820/BL1820B	BL1830/BL1830B/BL1840/ BL1840B/BL1850/BL1850B/ BL1860B
Grynasis svoris		17,8 kg	18,3 kg

- Atliekame tęstinius tyrimus ir nuolat tobuliname savo gaminius, todėl čia pateikiamos specifikacijos gali būti keičiamos be įspėjimo.
- Įvairiose šalyse specifikacijos ir akumuliatoriaus kasėtė gali skirtis.
- Svoris su akumuliatoriaus kasėte pagal 2003-01 EPTA procedūrą

Simboliai

Toliau yra nurodyti įrangai naudojami simboliai. Prieš naudodami įsitikinkite, ar suprantate jų reikšmę.

	Būkite itin atsargūs ir dėmesingi.
	Perskaitykite instrukcijų vadovą.
	Pavojus; saugokitės skriejančių objektų.
	Tarp įrankio ir šalia esančių žmonių turi būti bent 15 m atstumas.
	Laikykite rankas ir pėdas atokiai nuo vejąplovės apacioje esančių peilių. Išjungus variklį, peiliai dar kurį laiką sukasi.
	Prieš atlikdami tikrinimo, reguliavimo, valymo ir techninės priežiūros darbus, taip pat prieš palikdami vejąplovę be priežiūros ir pastatydami ją į saugojimo vietą, ištraukite spygnos raktą.
	Cd Ni-MH Li-Ion Taikoma tik ES šalims Neišmeskite elektros įrangos arba akumuliatoriaus bloko į buitinius šiukšlynus! Atsižvelgiant į ES direktyvas dėl elektros ir elektroninės įrangos atliekų, dėl baterijų ir akumuliatorių bei baterijų ir akumuliatorių atliekų ir šių direktyvų siekių įgyvendinimą pagal nacionalinius įstatymus, elektros įrangos ir baterijų bei akumuliatorių atliekas būtina surinkti atskirai nuo kitų buitinių atliekų ir atiduoti į atnirinių žaliavų perdirbimo aplinkai nekenksmingu būdu punktą.

Numatytoji naudojimo paskirtis

Šis įrankis skirtas vejai pjauti.

Triukšmas

Įprastas triukšmo A lygis, nustatytas pagal EN60335:
Garso slėgio lygis (L_{pA}): 80 dB (A)
Garso galios lygis (L_{WA}): 93 dB (A)
Paklaida (K): 3 dB (A)

Dirbant triukšmo lygis gali viršyti 80 dB (A).

Vibracija

Vibracijos bendroji vertė (triašio vektorius suma) nustatyta pagal EN60335 standartą:
Vibracijos emisija (a_{hV}): 2,5 m/s² arba mažiau
Paklaida (K): 1,5 m/s²

PASTABA: Paskelbtasis vibracijos emisijos dydis nustatytas pagal standartinį testavimo metodą ir jį galima naudoti vienam įrankiui palyginti su kitu.

PASTABA: Paskelbtasis vibracijos emisijos dydis taip pat gali būti naudojamas preliminariai įvertinti vibracijos poveikį.

ĮSPĖJIMAS: Faktiškai naudojant elektrinį įrankį, keliamos vibracijos dydis gali skirtis nuo paskelbtojo dydžio, priklausomai nuo būdų, kuriais yra naudojamas šis įrankis.

ĮSPĖJIMAS: Siekdami apsaugoti operatorių, būtina įvertinkite saugos priemones, remdamiesi vibracijos poveikio įvertinimu esant faktinėms naudojimo sąlygoms (atsižvelgdami į visas darbo ciklo dalis, pavyzdžiui, ne tik kiek laiko įrankis veikia, bet ir kiek kartų jis yra išjungiamas bei kai jis veikia be apkrovų).

ES atitikties deklaracija

Tik Europos šalims

Bendroves „Makita“ atsakingai pareiškia, kad šis įrenginys (-iai):

Mechanizmo pavadinimas: Belaidė vejapjovė
Modelio Nr. / tipas: DLM431

Atitinka šias Europos direktyvas: 2000/14/EC,
2006/42/EC

Yra pagaminti pagal šį standartą arba normatyvinius dokumentus: EN60335

Techninį dokumentą pagal 2006/42/EC galima gauti iš:
Makita, Jan-Baptist Vinkstraat 2, 3070, Belgium
(Belgija)

Atitikties įvertinimo procedūra, būtina pagal Tarybos
Direktyvą 2000/14/EC, atlikta atsižvelgiant į VI priedą.

Paskelbtoji įstaiga: „TÜV Rheinland LGA Products“
GmbH

Am Grauen Stein 29 51105 Köln, Vokietija
Identifikacijos numeris 0197

Nustatytas garso galios lygis: 93 dB (A)

Garantuotas garso galios lygis: 94 dB (A)

1.12.2015

Yasushi Fukaya

Direktorius

Makita, Jan-Baptist Vinkstraat 2, 3070, Belgium
(Belgija)

SVARBIOS SAUGOS INSTRUKCIJOS

⚠️ ĮSPĖJIMAS: Perskaitykite visus saugos
įspėjimus ir visą instrukciją. Nesilaikydami toliau
pateiktų įspėjimų ir instrukcijų galite patirti elektros
smūgį, gaisrą ir (arba) sunkų sužeidimą.

Išsaugokite visus įspėjimus ir instrukcijas, kad galėtumėte jas peržiūrėti ateityje.

1. Nekiškite rakto į vejapjovę, kol ji nebus paruošta naudoti.
2. Būtina prižiūrėti vaikus, kad jie nežaistų su vejapjove.
3. Niekuomet neleiskite vejapjovės naudoti vaikams arba su šia instrukcija nesusipažinusiems žmonėms. Operatoriaus amžius gali būti reglamentuojamas vietinių įstatymų.
4. Niekuomet nenaudokite vejapjovės, jei netoliese yra žmonių, ypač vaikų ar naminių gyvūnų.
5. Atminkite, kad operatorius yra atsakingas už nelaimingus atsitikimus ar nelaimes, atsitikusius kitiems žmonėms, arba jų turtui padarytą žalą.
6. Naudojami vejapjovę, visuomet avėkite tvirtą avalynę ir mūvėkite ilgas kelnes. Niekuomet nedirbkite vejapjove, jeigu esate basi arba avite atvirus sandalus. Nedėvėkite laisvų drabužių ir kabančių papuošalų, nesurištų virvelių arba kaklaraiščių. Juos gali įtraukti judančios dalys.

7. Vejapjovę naudokite tik dienos metu arba esant geram dirbtiniam apšvietimui.
8. Vejapjove nepjaukite šlapios žolės.
9. Niekuomet nenaudokite vejapjovės lietuvių lyant.
10. Akumuliatorinio įrankio naudojimas ir priežiūra
- Įkraukite tik gamintojo nurodytus kroviklius. Kroviklis, kuris tinka vienam akumuliatorių kasečių tipui įkrauti, gali kelti gaisro pavojų naudojant su kito tipo akumuliatorių kasetėmis.
- Elektrinius įrankius naudokite tik su jiems skirtomis akumuliatorių kasetėmis. Naudojant kitokias akumuliatorių kasetes, gali kilti sužeidimų ir gaisro pavojų.
- Kai akumuliatoriaus kasetės nenaudojate, laikykite ją toliau nuo kitų metalinių daiktų, pavyzdžiui, popieriaus sąvaržėlių, monetų, raktų, vinių, varžtų ir kitų mažų metalinių daiktų, kurie gali trumpai sujungti kontaktus. Akumuliatorių kontaktų trumpasis jungimas gali būti nudegimų arba gaisro priežastis.
- Netinkamai naudojant, iš akumuliatorių gali ištekėti skystis; venkite sąlyčio su juo. Jei sąlytis atsitiktinai įvyko, gausiai nuplaukite vandeniu. Jei skysčio pateko į akis, kreipkitės į gydytoją. Iš akumuliatoriaus išbėgęs skystis gali sudirginti arba nudeginti odą.
11. Visada tvirtai laikykite rankeną.
12. Dirbdami nuokalnėse, visada tvirtai stovėkite ant žemės.
13. Visada vaikščiokite, nebėgiokite.
14. Paimdami arba laikydami vejapjovę, neimkite už atvirų pjovimo peilių arba pjovimo briaunų.
15. Fizinės sąlygos – nenaudokite vejapjovės, jeigu esate apsvaigę nuo alkoholio, narkotikų arba kokių nors vaistų.
16. Laikykite pėdas ir rankas atokiai nuo besisukančių peilių. Dėmesio – išjungus vejapjovę, pjovimo peiliai dar sukasi iš inercijos.
17. Naudokite tik šioje instrukcijoje nurodytus originalius peilius.
18. Prieš naudodami patikrinkite peilius, ar nėra įtrūkimų arba pažeidimų. Nedelsdami pakeiskite įtrūkusius arba pažeistus peilius.
19. Prieš padėdami pjauti žolę, įsitikinkite, ar toje vietoje nėra kitų žmonių. Išjunkite vejapjovę, jeigu į darbo vietą gas nors ateina.
20. Prieš pradėdami pjauti žolę, surinkite nuo vejos pašalinius daiktus, pavyzdžiui, akmenis, laidus, butelius, kaulus ir dideles šakas, kad nesužeistumėte ir nesugadintumėte vejapjovės.
21. Pastebėję ką nors neįprasto, tučtuojau nutraukite darbą. Išjunkite vejapjovę ir ištraukite raktą. Tada apžiūrėkite vejapjovę.
22. Niekada nebandykite reguliuoti ratukų aukščio vejapjovei veikiant.
23. Prieš kirsdami kelius, takus, vieškelius ir bet kokias žvyru padengtas vietas, atleiskite svirtinį jungiklį ir palaukite, kol peiliai nebesisuks. Taip pat ištraukite raktą, jeigu vejapjovę paliekate be priežiūros, norite kažką pakelti arba patraukti iš kelio ar dėl bet kurios kitos priežasties, galinčios atitraukti jus nuo atliekamo darbo.

24. Vejapjovės peilio užkliudyti objektai gali sunaikinti sužaloti. Prieš kiekvieną vejų pjovimą, vejų visada reikia atidžiai apžiūrėti ir surinkti nuo jos visus daiktus.
25. Jeigu vejapjovė užkliudo pašalinį objektą, atlikite šiuos veiksmus:
 - Išjunkite vejapjovę, atleiskite svirtinį jungiklį ir palaukite, kol peilis visiškai sustos.
 - Ištraukite raktą ir išimkite akumulatoriaus kasetę.
 - Apžiūrėkite vejapjovę, ar ji neapgadinta.
 - Pakeiskite peilį, jeigu jis kaip nors apgadintas. Prieš užvesdami ir toliau naudodami vejapjovę, pašalinkite bet kokius gedimus.
26. Dažnai tikrinkite, ar žolės surinkimo krepšys nesusidėvėjęs ir yra tinkamos būklės. Prieš pastatydami įrenginį, būtina ištuštinkite žolės surinkimo krepšį. Norėdami užtikrinti saugą, nusidėvėjusį žolės surinkimo krepšį pakeiskite nauju originaliu atsarginiu krepšiu.
27. Būkite itin atsargūs, važiuodami atbuline eiga arba traukdami vejapjovę savęs link.
28. Sustabdykite peilį (-ius), jeigu vejapjovę reikia paversti, kad ją galima būtų perkelti per žolę neapaugusius paviršius, ir gabendami vejapjovę iš vietos, kurioje ji buvo naudojama, ir į tą vietą, kurioje ji bus naudojama.
29. Niekada nenaudokite vejapjovės su pažeistais apsauginiais skydais arba gaubtais ar be tinkamai sumontuotų saugos įtaisų, pavyzdžiui, kreiptuvų ir (arba) žolės surinkimo krepšio.
30. Atsargiai įjunkite vejapjovę, kaip nurodyta instrukcijoje; pėdos turi būti pakankamu atstumu nuo peilio (-ių).
31. Užvesdami variklį nepakreipkite vejapjovės, išskyrus tuomet, jeigu užvedant variklį ji turi būti pakreipta. Tokiu atveju pakreipkite ją tik tiek, kiek tai būtina, ir kelkite tik tą dalį, kuri yra atokiau nuo jūsų.
32. Neužveskite vejapjovės variklio, stovėdami priešais išmetimo angą.
33. Nekiškite rankų ar kojų artyn prie besisukančių dalių arba po jomis. Visada stovėkite atokiau nuo išmetimo angos.
34. Negabenkite veikiančios vejapjovės.
35. Išjunkite vejapjovę ir ištraukite išjungimo įtaisą. Įsitikinkite, ar visos judančios dalys visiškai sustojo
 - kai paliekate vejapjovę be priežiūros,
 - prieš pradėdami valyti užsikimšimus arba prieš atkimšdami išmetimo lataką,
 - prieš tikrindami, valydami arba dirbdami vejapjovę,
 - užkliudę pašalinį objektą. Prieš įjungdami vejapjovę ir vėl pradėdami dirbti, ją apžiūrėkite, ar nėra gedimų, ir juos pašalinkite;
36. Jeigu vejapjovė pradeda neįprastai vibruoti, nedelsdami
 - patikrinkite, ar nėra gedimo;
 - pakeiskite arba pataisykite bet kurias sugadintas dalis;
 - patikrinkite ir priveržkite visas atsilaisvinusias dalis.
37. Reguluodami vejapjovę būkite atsargūs, kad pirštų neįtrauktų judantys peiliai ir nejudančios jos dalys.
38. Pjaukite žolę, važiuodami nuokalnėmis aukštyrų ir žemyn, o ne skersai. Keisdami kryptis nuokalnėse, būkite itin atsargūs. Neįjunkite žolės pelynų stacijoje nuokalnėse.
39. Neplaukite įrenginio vandens žarna; stenkitės, kad į variklį ir ant elektrinių jungčių nepatektų vandens.
40. Dažnai tikrinkite, ar tinkamai priveržti peilių montavimo varžtai.
41. Visos veržlės, varžtai ir sraigčiai turi būti tvirtai prisukti, kad būtų užtikrintos saugios įrenginio darbo sąlygos.
42. Prieš pastatydami vejapjovę į saugojimo vietą, palaukite, kol ji visiškai atvės.
43. Prieš pradėdami peilių techninės priežiūros darbus, nepamirškite, kad nors maitinimo šaltinis yra išjungtas, peiliai vis tiek gali sukilti.
44. Saugumo sumetimais pakeiskite nusidėvėjusias arba sugadintas dalis. Prirėikus priedų arba atsarginių dalių, naudokite tik originalias dalis.

SAUGOKITE ŠIAS INSTRUKCIJAS.

⚠️ ĮSPĖJIMAS: NELEISKITE, kad patogumas ir gaminio pažinimas (įgyjamas pakartotinai naudojant) susilpnintų griežtą saugos taisyklių, taikytinų šiam gaminiui, laikymąsi.

Dėl NETINKAMO NAUDOJIMO arba saugos taisyklių, kurios pateiktos šioje instrukcijoje, nesilaikymo galima rimtai susižeisti.

Svarbios saugos instrukcijos, taikomos akumulatoriaus kasetei

1. Prieš naudodami akumulatoriaus kasetę, perskaitykite visas instrukcijas ir perspėjimus ant (1) akumuliatorių įkroviklio, (2) akumuliatorių ir (3) akumuliatorių naudojančio gaminio.
2. Neardykite akumulatoriaus kasetės.
3. Jei įrankio darbo laikas žymiai sutrumpėjo, nedelsdami nutraukite darbą su įrankiu. Tai gali kelti perkaitimo, nudegimų ar net sprogdimo pavojų.
4. Jei elektrolitas pateko į akis, plaukite jas tyru vandeniu ir nedelsdami kreipkitės į gydytoją. Gali kilti regėjimo praradimo pavojus.
5. Neužtrumpinkite akumulatoriaus kasetės:
 - (1) Neliaskite kontaktų degiomis medžiagomis.
 - (2) Venkite laikyti akumulatoriaus kasetę kartu su kitais metaliniais daiktais, pavyzdžiui, vinimis, monetomis ir pan.
 - (3) Saugokite akumulatoriaus kasetę nuo vandens ir lietaus.
 Trumpasis jungimas akumulatoriuje gali sukelti stiprią srovę, perkaitimą, galimus nudegimus ar net akumulatoriaus gedimą.
6. Nelaikykite įrankio ir akumulatoriaus kasetės vietose, kur temperatūra gali pasiekti ar viršyti 50 °C.

7. Nedeginkite akumulatoriaus kasetės, net jei yra stipriai pažeista ar visiškai susidėvėjusi. Ugnyje akumulatoriaus kasetė gali sprogti.
8. Saugokite akumuliatorių nuo kritimo ir smūgių.
9. Nenaudokite pažeisto akumulatoriaus.
10. Įdėtoms ličio jonų akumuliatoriams taikomi Pavojingų prekių teisės akto reikalavimai. Komercinis transportas, pvz., trečiųjų šalių, prekių vežimo atstovų, turi laikytis specialaus reikalavimo ant pakuotės ir ženklavimo. Norėdami paruošti siūstąją prekę, pasitarkite su pavojingų medžiagų specialistu. Be to, laikykitės galimai išsamesnių nacionalinių reglamentų. Užklijuokite juosta arba padenkite atvirus kontaktus ir supakuokite akumuliatorių taip, kad ji pakuotėje nejudėtų.
11. Vadovaukitės vietos įstatymais dėl akumuliatorių išmetimo.

SAUGOKITE ŠIAS INSTRUKCIJAS.

▲PERSPĖJIMAS: Naudokite tik originalų „Makita“ akumuliatorių. Neoriginalaus „Makita“ arba pakeisto akumulatoriaus naudojimas gali nulemti gaisrą, asmens sužalojimą ir pažeidimą. Tai taip pat panaikina „Makita“ suteikiamą „Makita“ įrankio ir įkroviklio garantiją.

Patarimai, ką daryti, kad akumulatorius veiktų kuo ilgiau

1. Pakraukite akumulatoriaus kasetę prieš jai visiškai išsikraunant. Visuomet nustokite naudoti įrankį ir pakraukite akumulatoriaus kasetę, kai įrankio galia sumažėjo.
2. Niekada nekraukite iki galo įkrautos akumulatoriaus kasetės. Perkraunant trumpėja akumulatoriaus eksploatacijos laikas.
3. Akumulatoriaus kasetę kraukite esant kambario temperatūrai 10 - 40 °C. Prieš pradėdami krauti, leiskite įkaitusiai akumulatoriaus kasetei atvėsti.
4. Įkraukite akumulatoriaus kasetę, jei jos nenaudojate ilgą laiką (ilgiau nei šešis mėnesius).

VEIKIMO APRAŠYMAS

Akumulatoriaus kasetės uždėjimas ir nuėmimas

▲PERSPĖJIMAS: Prieš įdėdami arba išimdami akumulatoriaus kasetę, visada išjunkite įrankį.

▲PERSPĖJIMAS: Prieš pradėdami naudoti, įsitikinkite, ar akumulatoriaus dangtelis užfiksuotas. Kitaip gali patekti purvo, nešvarumų arba vandens ir gaminyje arba akumulatoriaus kasetėje gali sugesti.

▲PERSPĖJIMAS: Akumulatoriaus kasetę visada įkiškite iki galo, kol nebematysite raudono indikatoriaus. Priešingu atveju ji gali atsitiktinai iškristi iš įrankio, sužeisti jus arba aplinkinius.

▲PERSPĖJIMAS: Nekiškite akumulatoriaus kasetės jėga. Jeigu kasetė sunkiai lenda, ją kišate netinkamai.

PASTABA: Įrankis neveikia tik su viena akumulatoriaus kasete.

Norėdami įdėti akumulatoriaus kasetę;

1. Slinkite akumulatoriaus skyriaus dangtelio svirtį savęs link ir atidarykite akumulatoriaus skyriaus dangtelį.
 - ▶ **Pav.1:** 1. Akumulatoriaus skyriaus dangtelis
 - 2. Akumulatoriaus skyriaus dangtelio svirtis
2. Centruokite liežuvelį ant akumulatoriaus kasetės su anga vejjapovėje, tada stumkite kasetę, kol ji lengvai spragtelėdama užsifiksuos. Jeigu matote raudoną indikatorių viršutinėje mygtuko pusėje, akumulatoriaus kasetė nėra visiškai užfiksuota.
 - ▶ **Pav.2:** 1. Akumulatoriaus kasetė
3. Iki galo įkiškite fiksavimo raktą į paveikslėlyje parodytą vietą.
 - ▶ **Pav.3:** 1. Fiksavimo raktas
4. Uždarykite akumulatoriaus skyriaus dangtelį ir spauskite jį tol, kol fiksavimo svirtis jį užsklės.

Norėdami ištraukti akumulatoriaus kasetę iš vejjapovės;

1. Slinkite akumulatoriaus skyriaus dangtelio svirtį savęs link ir atidarykite akumulatoriaus skyriaus dangtelį.
2. Stumdami mygtuką, esantį kasetės priekyje, ištraukite akumulatoriaus kasetę iš vejjapovės.
3. Ištraukite fiksavimo raktą.
4. Uždenkite akumulatoriaus skyriaus dangtelį.

Įrankio / akumulatoriaus apsaugos sistema

Įrankyje įrengta įrankio / akumulatoriaus apsaugos sistema. Ši sistema automatiškai atjungia variklio maitinimą, kad įrankis ir akumulatorius ilgiau veiktų. Įrankis automatiškai išsijungs darbo metu esant vienai iš toliau nurodytų įrankio arba akumulatoriaus darbo sąlygų. Esant tam tikroms sąlygoms užsidega indikatoriai.

Apsauga nuo perkrovos

Kai įrankis naudojamas taip, kad neįprastai padidėja elektros srovė, įrankis automatiškai išsijungia be jokių indikatorių įspėjimų. Tokiu atveju atleiskite įrankio gaiduką ir nutraukite darbą, dėl kurio kilo įrankio perkrova. Po to vėl įjunkite įrankį.

Apsauga nuo perkaitimo

Įrankiu perkaitus, jis automatiškai išsijungia. Prieš vėl įjungdami įrankį, leiskite jam atvėsti.

Apsauga nuo visiško išsikrovimo

Žymiai sumažėjus akumuliatoriaus galiai, įrankis automatiškai išsijungia. Jeigu gaminyje neveikia net ir spaudžiant jungiklius, išimkite akumuliatorių iš įrankio ir įkraukite.

Likusios akumuliatoriaus galios rodymas

► **Pav.4:** 1. Akumuliatoriaus indikatorius 2. Tikrinimo mygtukas

Paspauskite tikrinimo mygtuką, kad būtų rodoma likusi akumuliatoriaus energija. Akumuliatorių indikatoriai parodo atitinkamo akumuliatoriaus galią.

Akumuliatoriaus indikatorius būseną		Likusi akumuliatorių galia
Šviečia	Nešviečia	
		50–100 %
		20 - 50 %
		0 - 20 %

Likusios akumuliatoriaus galios rodymas

Taikoma tik akumuliatorių kasetėms, kurių modelio numerio gale yra „B“

► **Pav.5:** 1. Indikatorius lemputės 2. Tikrinimo mygtukas

Paspauskite akumuliatoriaus kasetės tikrinimo mygtuką, kad būtų rodoma likusi akumuliatoriaus energija. Maždaug trims sekundėms užsidegs indikatorius lemputės.

Indikatorių lemputės			Likusi galia
Šviečia	Nešviečia	Blyksti	
			75 - 100 %
			50 - 75 %
			25 - 50 %
			0 - 25 %
			Įkraukite akumuliatorių.
			Galimai įvyko akumuliatoriaus veikimo triktis.

PASTABA: Rodmuo gali šiek tiek skirtis nuo faktinės energijos lygio – tai priklauso nuo naudojimo sąlygų ir aplinkos temperatūros.

Jungiklio veikimas

ĮSPĖJIMAS: Prieš įdėdami akumuliatoriaus kasetę, visada patikrinkite, ar svirtinis jungiklis veikia tinkamai, o atleistas sugrįžta į pradinę padėtį. Naudojant įrankį, kurio gaidukas netinkamai veikia, galima prarasti kontrolę ir sunkiai susižaloti.

PASTABA: Nepaspaudus įjungimo mygtuko, vejąpjavė nepasileidžia net ir patraukus už svirtinio jungiklio.

PASTABA: Vejąpjavės variklis gali būti neužvestas dėl perkrovos, kai vienu metu pjaunate ilgai ar tankią žolę. Tokiu atveju padidinkite pjovimo aukštį.

Šioje vejąpjavėje įrengtas blokavimo jungiklis ir rankenos jungiklis. Jeigu pastebėtumėte, kad kuris nors iš šių jungiklių veikia neįprastai, tuoj pat nutraukite darbą ir pasirūpinkite, kad jie būtų patikrinti artimiausiame „Makita“ įgaliotajame techninės priežiūros centre.

1. Įdėkite akumuliatoriaus kasetes. Įkiškite fiksavimo raktą į blokavimo jungiklį, tada uždenkite akumuliatoriaus skyriaus gaubtą.

► **Pav.6:** 1. Akumuliatoriaus kasetė 2. Fiksavimo raktas

2. Paspauskite mygtuką ir jį palaikykite.

3. Suimkite už viršutinės rankenos ir patraukite už svirtinio jungiklio.

► **Pav.7:** 1. Mygtukas 2. Svirtinis jungiklis

4. Kai tik variklis pasileidžia, įjungimo mygtuką atleiskite. Vejąpjavė veiks, kol neatleisite svirtinio jungiklio.

5. Jeigu norite išjungti variklį, atleiskite svirtinį jungiklį.

Žolės pjovimo aukščio reguliavimas

⚠ JSPĖJIMAS: Reguluodami žolės pjovimo aukštį, niekada nekiškite rankų ar kojų po vejjapjovės korpusu.

⚠ JSPĖJIMAS: Prieš pradėdami darbą, visada išitikinkite, ar svirtis tinkamai įtaisyta griovelyje.

Žolės pjovimo aukštį galima reguliuoti nuo 20 mm iki 75 mm.

1. Ištraukite fiksavimo raktą.
2. Patraukite žolės pjovimo aukščio reguliavimo svirtį vejjapjovės korpuso išorės link ir nustatykite ją teisingu žolės pjovimo aukščiu.

► **Pav.8:** 1. Žolės pjovimo aukščio reguliavimo svirtis

PASTABA: Žolės pjovimo aukščio paveikslėliai yra tik orientacinio pobūdžio. Atsižvelgiant į vejos ar žemės paviršiaus sąlygas, faktinis vejos aukštis gali šiek tiek skirtis nuo nustatytojo.

PASTABA: Pradžioje pabandykite pjauti žolę mažiau pastebimoje vietoje, kad nustatytumėte pageidaujamą aukštį.

Žolės lygio indikatorius

► **Pav.9:** 1. Žolės lygio indikatorius

Žolės lygio indikatorius rodo nupjautos žolės kiekį.

- Kai žolės surinkimo krepšys nepilnas, pjaunant žolę indikatorius juda.
- Kai žolės surinkimo krepšys pilnas, pjaunant žolę indikatorius nejuda. Tokiu atveju tuoj pat liaukitės pjovę žolę ir ištuštinkite krepšį. Ištuštinę krepšį, išvalykite jį, kad pro tinklę galėtumėte išseiti oras.

PASTABA: Šis indikatorius nėra tikslus kontrolinis įtaisas. Atsižvelgiant į krepšio viduje esančias sąlygas, šis indikatorius gali veikti netinkamai.

SURINKIMAS

⚠ JSPĖJIMAS: Prieš pradėdami bet kokius vejjapjovės techninės priežiūros, valymo arba reguliavimo darbus, visuomet būtinai ištraukite fiksavimo raktą ir išimkite akumuliatoriaus kasetę. Neištraukus fiksavimo raktą ir neišėmus akumuliatoriaus kasetės, galima sunkiai susižeisti dėl atsitiktinio įrenginio paleidimo.

⚠ JSPĖJIMAS: Niekada nepaleiskite vejjapjovės, kol ji nebus visiškai sumontuota. Naudojant iš dalies sumontuotus įrankius, jie gali netyčia pasileisti ir sunkiai sužeisti.

Akumuliatoriaus skyriaus dangtelio montavimas

⚠ JSPĖJIMAS: Neįkiškite blokavimo raktą ir akumuliatoriaus kasetės, kol nesumontuosite akumuliatoriaus skyriaus dangtelio. Nesilaikant šių nurodymų, kyla pavojus sunkiai susižeisti.

Prieš darbą visiškai uždarykite akumuliatoriaus skyriaus dangtelį. Akumuliatoriaus skyriaus dangtelis apsaugo vejjapjovę ir akumuliatoriaus kasetę nuo purvo, nešvarumų ir vandens.

1. Uždėkite akumuliatoriaus skyriaus dangtelį, vejjapjovės iškyšas lygiuodami pagal ant akumuliatoriaus skyriaus dangtelio esančias skylutes.

► **Pav.10:** 1. Iškyša 2. Skylutė 3. Akumuliatoriaus skyriaus dangtelis

2. Dėkite rankas ant akumuliatoriaus skyriaus dangtelio vidurio ir paspauskite jį.

► **Pav.11**

3. Prieš naudodami pirmą kartą, patikrinkite, ar tinkamai pritvirtinta akumuliatoriaus skyriaus dangtelio sukimosi ašis. Jei akumuliatoriaus skyriaus dangtelis uždėtas tinkamai, jis atsідarys tik patraukus už akumuliatoriaus skyriaus dangtelio svirties.

► **Pav.12:** 1. Sukimosi ašis 2. Akumuliatoriaus skyriaus dangtelio svirtis

Rankenos montavimas

PASTABA: Montuodami rankenas, laidus nutieskite taip, kad niekas jų neįtrauktų tarp rankenų. Jei laidas pažeistas, vejjapjovės jungiklis gali neveikti.

1. Abu apatinės rankenos galus stumkite į vejjapjovės griovelius, tada visiškai priveržkite suveržimo varžtais.

► **Pav.13:** 1. Suveržimo varžtas 2. Apatinė rankena

2. Sulygiuokite viršutinės ir apatinės rankenų skylutes varžtams. Fiksuokite jas suveržimo varžtais ir veržlėmis.

► **Pav.14:** 1. Suveržimo veržlė 2. Suveržimo varžtas

PASTABA: Tvirtai laikykite už viršutinės rankenos, kad ji neiškristų jums iš rankos.

3. Pritvirtinkite laikiklius prie rankenos. Maitinimo tiekimo laidą nustatykite, kaip parodyta paveikslėlyje.

► **Pav.15:** 1. Laikiklis

Vejapjovės peilio uždėjimas ir nuėmimas

▲JSPĖJIMAS: Nuimdami arba montuodami peilį, visada ištraukite fiksavimo raktą ir akumuliatoriaus kasetę. Neištraukus fiksavimo rakto ir akumuliatoriaus kasetės, galima sunkiai susižeisti.

▲JSPĖJIMAS: Atleidus jungiklį, peilis sukasi iš inercijos dar kelias sekundes. Kol peilis visiškai nesustojo, nepradėkite dirbti.

▲JSPĖJIMAS: Montuodami peilį, visuomet mūvėkite pirštines.

Norėdami nuimti vejapjovės peilį, atlikite šiuos veiksmus.

1. Paverskite vejapjovę ant šono taip, kad žolės pjovimo aukščio reguliavimo svirtis būtų viršuje.
2. Norėdami blokuoti peilį, kad jis nesisuktų, į peilio pagrindo skylutę įkiškite atsuktuvą ar panašų įrankį.
3. Veržliarakčiu sukite varžtą prieš laikrodžio rodyklę.
► **Pav.16:** 1. Vejapjovės peilis 2. Atsuktuvas
3. Veržliaraktis
4. Išsukite varžtą, paeilui nuimkite šoninę jungę, vejapjovės peilį ir vidinę jungę.
► **Pav.17:** 1. Vidinė jungė 2. Sukimosi krypties rodyklė 3. Išorinė jungė 4. Varžtas 5. Vejapjovės peilis

Jei norite sumontuoti vejapjovės peilį, vykdykite nuėmimo procedūrą atvirkščia tvarka.

▲JSPĖJIMAS: Atsargiai sumontuokite peilį. Jis turi viršutinę ir apatinę puses. Nustatykite peilį taip, kad sukimosi krypties rodyklė būtų nukreipta į išorę.

▲JSPĖJIMAS: Tvirtai užveržkite sraigta, sukdamai jį pagal laikrodžio rodyklę, kad užtvirtintumėte peilį.

▲JSPĖJIMAS: Įsitikinkite, ar peilis ir visos fiksavimo dalys pritvirtinti tinkamai ir gerai priveržti.

▲JSPĖJIMAS: Peilius visada keiskite laikydami šią vadovę pateiktą instrukcijų.

Žolės surinkimo krepšio montavimas

1. Ištraukite fiksavimo raktą.
2. Nuimkite galinį gaubtą nuo vejapjovės korpuso.
► **Pav.18**
3. Užkabinkite žolės surinkimo krepšį ant vejapjovės korpuso esančio griovelio, kaip parodyta paveikslėlyje.
► **Pav.19:** 1. Kablys 2. Griovelis 3. Žolės surinkimo krepšys

NAUDOJIMAS

Žolės pjovimas

▲JSPĖJIMAS: Prieš pradėdami pjauti žolę, surinkite nuo vejos šakas ir akmenis. Prieš pradėdami pjauti žolę, taip pat ištraukite visas piktžoles.

▲JSPĖJIMAS: Naudodami vejapjovę, visada dėvėkite apsauginius akinius arba apsauginius akinius su šoniniais apsauginiais skydais.

► Pav.20

Pjaudami žolę, tvirtai abiem rankomis laikykite vejapjovės rankeną.

Išoriniai priekinių ratukų kraštai yra pjovimo pločio gairės. Norėdami tolygiai nupjauti veją, vadovaudamiesi dviejų priekinių ratukų išoriniais kraštais kaip pločio nuoroda, pjaukite žolę režiais, užleisdami pusę vienos trečiosios ankstesnio režio.

Reguliariai tikrinkite nupjautos žolės surinkimo krepšį. Ištuštinkite krepšį, kol jis dar nėra pilnas. Prieš kiekvieną reguliarią patikrinimą būtinai sustabdykite vejapjovę, tada ištraukite fiksavimo raktą ir akumuliatoriaus kasetę.

PASTABA: Naudojant vejapjovę su pilnu žolės surinkimo krepšiu, peiliai negali tolygiai suktis, o varikliai tenka papildoma apkrova, todėl jis gali sugesti.

Aukštos žolės pjovimas

Nebandykite nupjauti žolės per vieną kartą. Ją pjaukite tam tikrais etapais. Tarp pjovimų palaukite dieną ar dvi, kol veją nupjausite tolygiai.

PASTABA: Nupjovus ilgą žolę iki trumpo ilgio per vieną kartą, ji gali nuvysti. Nupjauta žolė taip pat gali susikaupti vejapjovės korpuse.

Žolės surinkimo krepšio ištuštinimas

▲JSPĖJIMAS: Norėdami sumažinti nelaimingų atsitikimų pavojų, reguliariai tikrinkite žolės surinkimo krepšį, ar jis nesugadintas arba nesusilpnėjęs. Jei reikia, pakeiskite žolės surinkimo krepšį.

1. Atleiskite svirtinį jungiklį.
2. Ištraukite fiksavimo raktą.
3. Pakelkite galinį apsauginį gaubtą ir, laikydami už rankenos, nuimkite žolės surinkimo krepšį.
► **Pav.21:** 1. Galinis gaubtas 2. Rankena
4. Išpilkite žolę iš žolės surinkimo krepšio.

TECHNINĖ PRIEŽIŪRA IR SAUGOJIMAS

▲JSPĖJIMAS: Prieš pastatydami vejamą į vietą arba prieš pradėdami jos tikrinimo arba techninės priežiūros darbus, visuomet įsitikinkite, ar blokavimo raktas ištrauktas, o akumuliatoriaus kasetė išimta.

▲JSPĖJIMAS: Kai vejamą nenaudojate, visada išimkite fiksavimo raktą. Fiksavimo raktą laikykite saugioje, vaikams nepasiekiamoje vietoje.

▲JSPĖJIMAS: Atlikdami patikrinimo arba techninės priežiūros darbus, mūvėkite pirštines.

PASTABA: Niekada nenaudokite gazolino, benzino, tirpiklio, spirito arba panašių medžiagų. Gali atsirasti išblukimų, deformacijų arba įtrūkimų.

Priežiūra

1. Ištraukite fiksavimo raktą. Laikykite jį saugioje, vaikams nepasiekiamoje vietoje.
2. Nuvalykite vejamą drėgnu skudurėliu. Valydami vejamą, nepurškite ir nepilkite ant jos vandens.
3. Padėkite vejamą ant šono ir nuvalykite žolės nuopjovas, susikaupusias vejamą dugno apačioje.
4. Patikrinkite, ar tvirtai priveržtos visos veržlės, sraigčiai, rankenėlės, varžtai, tvirtinimo dalys ir pan.
5. Apžiūrėkite visas judamąsias dalis, ar jos nėra sugadintos, sulūžusios ar nusidėvėjusios. Sugadintas arba trūkstamas dalis reikia remontuoti arba keisti naujomis.

Laikymas

▲JSPĖJIMAS: Nešdami arba gabendami vejamą saugoti, laikykite ne už sudedamų rankenų, o už vejamą priekinės rankenos. Laikant už sudedamų rankenų galima sunkiai susižeisti arba sugadinti vejamą.

Prieš pastatydami vejamą į vietą, ištraukite iš jos akumuliatoriaus kasetę. Laikykite vejamą vėsioje, sausoje, rakinamoje patalpoje. Nelaikykite vejamą ir akumuliatoriaus kasetės vietose, kur temperatūra gali pasiekti ar viršyti 40 °C (104 °F).

► **Pav.22:** 1. Priekinė rankena 2. Galinė rankena

1. Atlaisvinkite suveržimo varžtus ir į abi puses ištieskite apatinę rankeną. Stumkite rankeną į priekį. Tuo metu tvirtai laikykite suėmę už apatinės rankenos, kad ji nenukristų į tolimąją vejamą korpuso pusę.

► **Pav.23:** 1. Suveržimo varžtas 2. Apatinė rankena

2. Atlaisvinkite suveržimo varžtus ir pakreipkite viršutinę rankeną atgal, tuo pačiu metu ją plėskite į abi puses.

► **Pav.24:** 1. Suveržimo veržlė 2. Viršutinė rankena

3. Žolės surinkimo krepšį laikykite tarp rankenos ir vejamą korpuso.

► **Pav.25:** 1. Žolės surinkimo krepšys

PASTABA: Statydami vejamą vertikaloje padėtyje, laikykite ne už rankenos, o už vejamą priekinės rankenos.

Kad gaminyt būtų SAUGUS ir PATIKIMAS, jį taisyti, apžiūrėti ar vykdyti bet kokią kitą priežiūrą ar derinimą turi įgaliotasis kompanijos „Makita“ techninės priežiūros centras; reikia naudoti tik kompanijos „Makita“ pagamintas atsargines dalis.

GEDIMŲ ŠALINIMAS

Prieš kreipdamiesi dėl remonto darbų, pirmiausia patikrinkite gedimus patys. Kilus problemų, apie kurias nepaaiškinta vartotojo vadove, nemėginkite ardyti įrankio. Kreipkitės į įgaliotuosius „Makita“ techninės priežiūros centrus, kuriuose remontui visuomet naudojamos originalios „Makita“ keičiamosios dalys.

Neįprasta būklė	Tikėtina priežastis (triktis)	Ištaisomoji priemonė
Vejapjovė nepaleidžiama.	Neįdėtos dvi akumuliatoriaus kasetės.	Įdėkite įkrauto akumuliatoriaus kasetes.
	Akumuliatoriaus problema (per maža įtampa)	Įkraukite akumuliatoriaus kasetę. Jei įkrauti nepavyksta, pakeiskite akumuliatoriaus kasetę.
	Neįdėtas fiksavimo raktas.	Įkiškite fiksavimo raktą.
Po trumpo naudojimo variklis nustoja veikti.	Žemas akumuliatoriaus įkrovos lygis.	Įkraukite akumuliatoriaus kasetę. Jei įkrauti nepavyksta, pakeiskite akumuliatoriaus kasetę.
	Pjovimo aukštis per mažas.	Padidinkite pjovimo aukštį.
Variklis nepasiekia didžiausių apsisukimų per minutę.	Netinkamai įdėta akumuliatoriaus kasetė.	Akumuliatoriaus kasetę įdėkite, kaip aprašyta šiame vadove.
	Akumuliatoriaus galia mažėja.	Įkraukite akumuliatoriaus kasetę. Jei įkrauti nepavyksta, pakeiskite akumuliatoriaus kasetę.
	Netinkamai veikia pavaros sistema.	Dėl remonto kreipkitės į vietinį įgaliotąjį techninės priežiūros centrą.
Nesisuka pjovimo įrankis: ⇒ nedelsdami sustabdykite vejapjovę!	Šalia peilio įstrigo pašalinis objektas, pvz., šaka.	Pašalinkite pašalinį objektą.
	Netinkamai veikia pavaros sistema.	Dėl remonto kreipkitės į vietinį įgaliotąjį techninės priežiūros centrą.
Neįprasta vibracija: ⇒ nedelsdami sustabdykite vejapjovę!	Peilis nesubalansuotas, pernelyg ar netolygiai nusidėvėjęs.	Pakeiskite peilį.

PASIRENKAMI PRIEDAI

⚠ PERSPĖJIMAS: Šiuos papildomus priedus arba įtaisus rekomenduojama naudoti su šioje instrukcijoje nurodytu „Makita“ bendrovės įrankiu. Naudojant bet kokius kitus papildomus priedus arba įtaisus, gali kilti pavojus sužeisti žmones. Naudokite tik nurodytam tikslui skirtus papildomus priedus arba įtaisus.

Jeigu norite daugiau sužinoti apie tuos priedus, kreipkitės į artimiausią „Makita“ techninės priežiūros centrą.

- Vejapjovės peilis
- Originalūs „Makita“ akumuliatoriai ir įkroviklis

PASTABA: Kai kurie sąrašė esantys priedai gali būti pateikti įrankio pakuotėje kaip standartiniai priedai. Jie įvairiose šalyse gali skirtis.








TEHNILISED ANDMED

Mudel:		DLM431	
Niitmislaius (tera läbimõõt)		430 mm	
Koormuseta kiirus		3 600 min ⁻¹	
Mõõtmised (P × L × K)	töötamise ajal	Max. 1 490 mm × 460 mm × 1 020 mm Min. 1 450 mm × 460 mm × 950 mm	
	hoiustatult (ilma murukogurita)	490 mm × 460 mm × 910 mm	
Nimipinge		Alalisvool 36 V	
Standardne akukassett ▲Hoiatus! Kasutage ainult kirjeldatud akukassetti.		BL1815N/BL1820/BL1820B	BL1830/BL1830B/BL1840/ BL1840B/BL1850/BL1850B/ BL1860B
Netokaal		17,8 kg	18,3 kg

- Meie pideva uuringu- ja arendusprogrammi tõttu võidakse tehnilisi andmeid muuta ilma sellest ette teatamata.
- Tehnilised andmed ja akukassett võivad riigiti erineda.
- Kaal koos akukassettiga, EPTA-protseduuri 01/2003 kohaselt

Sümbolid

Alljärgnevalt kirjeldatakse seadmetel kasutatavaid tingimärke. Veenduge, et olete nende tähendusest aru saanud enne seadme kasutamist.

	Olge äärmiselt ettevaatlik ja tähelepanelik.
	Lugege juhendit.
	Ohtlik; pidage silmas õhkupaiskuvaid objekte.
	Seadme ja kõrvalseisjate vaheline vahekaugus peab olema vähemalt 15 m.
	Ärge pange kunagi käsi või jalgu niiduki all oleva tera lähedusse. Terad jätkavad pöörlemist ka pärast mootori väljalülitamist.
	Eemaldage lukustusvõti enne niiduki kontrollimist, reguleerimist, puhastamist, hooldamist, järelevalveta jätmist ja hoiustamist.
	Ainult EL-i riikide puhul Ärge visake elektriseadmeid ja akusid ära koos majapidamisjätmetega! Vastavalt Euroopa Parlamendi ja Nõukogu direktiividele elektri- ja elektroonikaseadmete jätmete kohta ning patareide ja akude ning patarei- ja akujätmete kohta ning nende nõuete kohaldamisele liikmesriikides tuleb kasutuskohtmatuks muutunud elektriseadmed ja akud koguda eraldi ning keskkonnasäästlikult korduv kasutada või ringlusse võtta.

Kavandatud kasutus

Tööriist on ette nähtud muru niitmiseks.

Müra

Tüüpiiline A-korrigeeritud müratase, määratud standardi EN60335 kohaselt:

Helirõhutase (L_{pA}): 80 dB (A)
Helivõimsuse tase (L_{WA}): 93 dB (A)
Määramatus (K): 3 dB (A)

Töötamisel võib müratase ületada 80 dB (A).

Vibratsioon

Vibratsiooni koguväärtus (kolmeteljeliste vektorite summa) määratud standardi EN60335 kohaselt:

Vibratsiooniheide (a_{h1}): 2,5 m/s² või vähem
Määramatus (K): 1,5 m/s²

MÄRKUS: Deklareeritud vibratsiooniheite väärtus on mõõdetud kooskõlas standardse testimismeetodiga ning seda võib kasutada ühe seadme võrdlemiseks teisega.

MÄRKUS: Deklareeritud vibratsiooniheite väärtust võib kasutada ka mürataseme esmaseks hindamiseks.

▲HOIATUS: Vibratsioonitase võib elektritööriista tegelikuses kasutamise ajal erineda deklareeritud väärtusest olenevalt tööriista kasutamise viisidest.

▲HOIATUS: Rakendage operaatori kaitsmiseks kindlasti piisavaid ohutusabinõusid, mis põhinevad hinnangulisel müratasemel tegelikul töösituatsioonil (võttes arvesse tööperioodi kõiki osasid, nagu näiteks korrad, kui seade lülitatakse välja ja seade töötab tühikäigul, lisaks tööajale).

EÜ vastavusdeklaratsioon

Ainult Euroopa riikide puhul

Makita deklareerib, et alljärgnev(ad) masin(ad):
Masina nimetus: Akutoitega elektriline muruniiduk
Mudeli nr/tüüp: DLM431

Vastavad alljärgnevatele Euroopa Parlamendi ja Nõukogu direktiividele: 2000/14/EC, 2006/42/EC
Need on toodetud järgmistele standardite või standardiseeritud dokumentide kohaselt: EN60335
Tehniline fail, mis on kooskõlas direktiiviga 2006/42/EC, on saadaval ettevõttes:

Makita, Jan-Baptist Vinkstraat 2, 3070, Belgia
Vastavushindamise protseduur direktiivi 2000/14/EC alusel oli kooskõlas lisaga VI.

Informeeritud organ: TÜV Rheinland LGA Products GmbH

Am Grauen Stein 29 51105 Köln Saksamaa
Identifitseerimisnumber 0197

Mõõdetud müravõimsustase: 93 dB (A)
Garanteeritud müravõimsustase: 94 dB (A)

1.12.2015



Yasushi Fukaya

Direktor

Makita, Jan-Baptist Vinkstraat 2, 3070 Belgia

TÄHTSAD OHUTUSJUHISED

▲HOIATUS: Lugege läbi kõik ohutushoiatused ja juhtnõõrid. Hoiatuste ja juhtnõõride mittejärgmine võib põhjustada elektrišokki, tulekahju ja/või tõsiseid vigastusi.

Hoidke edaspidisteks viideteks alles kõik hoiatused ja juhtnõõrid.

1. Ärge sisestage võtit niidukisse, kuni see pole kasutamiseks valmis.
2. Jälgige, et lapsed niidukiga ei mängiks.
3. Mitte mingil juhul ärge lubage niidukit kasutada lastel ega isikutel, kes pole tutvunud kasutusjuhendiga. Kohalikud määrused võivad seada piiranguid kasutaja vanusele.
4. Ärge kunagi kasutage niidukit siis, kui läheduses viibivad inimesed (eriti lapsed) või lemmikloomad.
5. Pidage meeles, et muruniiduki omanik või kasutaja vastutab teistele isikutele põhjustatud vigastuste või nende varale tekitatud kahjustuste eest.
6. Kandke niidukiga töötamise ajal alati tugevaid jalatseid ja pikki pükse. Ärge töötage niidukiga, kui olete paljajalu või kannate lahtisi sandaale. Vältige liiga avarate ja rippuvate lipsude või nõõridega riiete või ehete kandmist. Need võivad liukvate osade vahele kinni jääda.
7. Töötage niidukiga ainult päevalguses või hea tehisolgustuse olemasolul.
8. Vältige niiduki kasutamist märjas rohus.
9. Ärge kasutage kunagi niidukit vihma ajal.

10. Akuga tööriista kasutamine ja hooldus
- Laadige ainult tootja ette nähtud laadijaga. Üht tüüpi akukasseti laadimiseks mõeldud laadija kasutamine teist tüüpi akukasseti laadimiseks võib põhjustada tuleohtu.
- Kasutage elektriseadmetega ainult selleks ette nähtud akukassette. Muud tüüpi akukassettide kasutamine võib põhjustada vigastus- ja tuleohtu.
- Kui akukassetti ei kasutata, siis hoidke seda eraldi muudest metallesemetest, näiteks kirjaklambrid, mündid, võtmed, naelad, kruvid jm väikesed metallesemed, mis võivad tekitada ühenduse klemmide vahel. Akuklemmide lühis võib põhjustada põletusi ja tulekahjuohtu.
- Väärkasutamise tagajärjel võib akust välja valguda vedelikku, ärge seda puudutage. Kui olete selle vedelikuga siiski kogemata kokku puutunud, uhtke kohta veega. Kui vedelik on sattunud silma, minge arsti juurde. Akust väljalvalgunud vedelik võib põhjustada ärritust ja põletusi.
11. Hoidke alati käepidemest kindlalt kinni.
12. Jälgige kallakutel alati, et teil oleks kindel jalgealune.
13. Kõndige, ärge jooksege.
14. Ärge haarake niidukit hoides või üles tõstes katmata lõiketeradest või -servadest.
15. Füüsiline seisund – ärge kasutage niidukit, kui olete uimastite, alkoholi või ravimite mõju all.
16. Hoidke käd ja jalad pöörlevatest lõiketeradest eemal. Ettevaatust! Toite väljalülitamise järel pöörlevad terad vaba hooga edasi.
17. Kasutage ainult juhendis kirjeldatud tootja originaallõiketeri.
18. Enne toimingu tegemist kontrollige hoolikalt, et lõiketeradel poleks mõrasid või vigastusi. Asendage pragunenud või vigastatud lõiketerad viivitamatult.
19. Enne niitmise alustamist veenduge, et niidetaval alal poleks teisi inimesi. Seisake niiduk, kui keegi siseneb niidetavale alale.
20. Eemaldage võõrkehad (nt kivid, traadijupid, pudelid, luud ja suuremad oksad) niidetavalt alalt enne niitmise alustamist, et vältida tervisekahjustusi ja niiduki kahjustamist.
21. Kui märkate midagi ebatavalist, lõpetage kohe töö. Lülitage niiduk välja ja eemaldage võti. Seejärel kontrollige niidukit.
22. Ärge proovige kunagi rattaid reguleerida, kui niiduk töötab.
23. Vabastage hooblüliti ja oodake lõiketera seiskumist enne, kui sõidate niidukiga üle siseseõiduteede, kõnniteede, teede ja kruusaga kaetud alade. Eemaldage võti, kui jätate niiduki järelevalveta, et midagi teel olevat üles korjata või sealt eemaldada, või kui miski võib niitmisele keskendumist segada.
24. Kui niiduki lõiketera tabab mõnda eset, võib see põhjustada tõsiseid tervisekahjustusi. Muru tuleb enne niitmist alati tähelepanelikult kontrollida ja kõigist esemetest puhastada.
25. Kui niiduki lõiketera tabab võõrkeha, toimige järgmiselt:

- Peatage niiduk, vabastage hooblülit ja oodake, kuni lõiketera on täielikult seiskunud.
 - Eemaldage võti ja akukasett.
 - Kontrollige niidukit põhjalikult igasuguste kahjustuste suhtes.
 - Vahetage lõiketera välja, kui see on mingil mooli kahjustada saanud. Enne niiduki taaskäivitamist ja töö jätkamist parandage kõik kahjustused.
26. Kontrollige murukogurit sageli kulumise või muul viisil kahjustumise suhtes. Enne hoiustamist veenduge alati, et murukogur oleks tühi. Ohutuse tagamiseks asendage kulumud murukogur alati tootja originaalosaaga.
 27. Olge eriti ettevaatlik niidukit tagurpidi liigutades või enda poole tõmmates.
 28. Seisake lõiketera(d), kui niidukit tuleb kallutada, et liikuda üle alade, mis ei ole muruga kaetud, ning siis, kui viite niidukit niitmisalale või sealt ära.
 29. Ärge kasutage kunagi niidukit, mille kaitsekatted on defektseid või mille ohutusseadised (nt suunaja ja/või murukogur) on eemaldatud.
 30. Niiduki sisselülitamisel järgige tähelepanelikult juhtnööre ja hoidke jalad lõiketera(de)st eemal.
 31. Ärge kallutage niidukit, kui mootorit sisse lülitate, v.a juhul, kui see on käivitamiseks vajalik. Sellisel juhul ärge kallutage niidukit rohkem kui vaja ning tõstke ainult seda osa, mis jääb kasutajast eemale.
 32. Ärge seiske seadet käivitamise ajal väljaviskeava ees.
 33. Ärge pange käsi ja jalgu pöörlevate osade lähedale ega nende alla. Hoidke väljaviskeava alati takistustest puhtana.
 34. Ärge transportige niidukit, kui see on sisse lülitatud.
 35. Seisake niiduk ja eemaldage blokeerimisosa. Veenduge, et kõik liikuvad osad oleks täielikult peatunud
 - alati, kui niiduki juurest lahkute;
 - enne niidukist takistuste või väljaviskerennist ummistuste eemaldamist;
 - enne niiduki kontrollimist, puhastamist või hooldamist;
 - pärast seda, kui lõiketera on võõrkeha tabanud. Kontrollige niidukit kahjustuste suhtes ning tehke kõik vajalikud remonditööd enne selle taaskäivitamist ja niitmise jätkamist.
 36. Kui niiduk hakkab ebanormaalselt vibreerima, siis
 - kontrollige seda kohe kahjustuste suhtes;
 - asendage või parandage kõik kahjustunud osad;
 - kontrollige osade pingust ja pinguldage lahitud osad.
 37. Olge niiduki reguleerimisel ettevaatlik, et vältida sõrmede muljumist niiduki fikseeritud osade ja liikuvate lõiketerade vahele.
 38. Niitke kallakuid küljelt küljele ja mitte kunagi ülevalt alla või alt üles. Olge kallakutel liikumissuunda muutes äärmiselt ettevaatlik. Ärge niitke liiga järskudel kallakutel.
 39. Ärge peske voolava veega; vältige vee sattumist mootorisse ja elektriühendustesse.
 40. Kontrollige lõiketera fiksaatorpolti regulaarselt korrektse pinguse suhtes.
 41. Seadme ohutu talitluse tagamiseks hoidke kõik mutrid, poldid ja kruvid tugevasti pinguldatusena.
 42. Laske niidukil alati enne hoiustamist maha jahtuda.
 43. Olge lõiketerade hooldamisel teadlik sellest, et kuigi toide on välja lülitatud, võivad lõiketerad siiski liikuda.
 44. Ohutuse tagamiseks vahetage kulunud või kahjustunud osad uute vastu. Kasutage ainult originaalvaruosi ja -tarvikuid.

HOIDKE JUHEND ALLES.

⚠ HOIATUS: ÄRGE UNUSTAGE järgida toote ohutusnõudeid mugavuse või toote (korduskasutamise saavutatud) hea tundmise tõttu.

VALE KASUTUS või kasutusjuhendi ohutuseeskirjade eiramine võib põhjustada tervisekahjustusi.

Akukasettiga seotud olulised ohutusjuhised

1. Enne akukasetti kasutamist lugege (1) akulaadjal, (2) akul ja (3) seadmel olevad juhtnöörid ja hoiatused läbi.
2. Ärge võtke akukasetti lahti.
3. Kui tööaeg järsult lüheneb, siis lõpetage kohe kasutamine. Edasise kasutamise tulemuseks võib olla ülekuumenemine, võimalikud põletused või isegi plahvatus.
4. Kui elektrolüüti satub silma, siis loputage silma puhta veega ja pöörduge koheselt arsti poole. Selline õnnetus võib põhjustada pimedaksjäämist.
5. Ärge tekitage akukasettis lühist:
 - (1) Ärge puutuge klemme elektrijuhtidega.
 - (2) Ärge hoidke akukasetti tööriistakastis koos metallsemetega, nagu naelad, mündid jne.
 - (3) Ärge tehke akukasetti märjaks ega jätke seda vihma kätte.

Aku lühis võib põhjustada tugevat elektrivoolu, ülekuumenemist, põletusi ning ka seadet tõsiselt kahjustada.
6. Ärge hoidke tööriista ja akukasetti kohtades, kus temperatuur võib tõusta üle 50 °C.
7. Ärge põletage akukasetti isegi siis, kui see on saanud tõsiselt vigastada või on täiesti kulumud. Akukasett võib tules plahvatada.
8. Olge ettevaatlik, ärge laske akul maha kukkuda ja vältige lööke.
9. Ärge kasutage kahjustatud akut.
10. Sisalduvatele liitium-ioonakudele võivad kohalduda ohtlike kaupade õigusaktide nõuded. Kaubanduslikul transportimisel, näiteks kolmandate poolte või transpordiettevõtete poolt, tuleb järgida pakendil ja siltidel toodud erinõudeid. Transportimiseks ettevalmistamisel on vajalik pida nõu ohtliku materjali ekspertidega. Samuti tuleb järgida võimalike riiklike regulatsioonide üksikasjalikumaid nõudeid.

Katke teibiga või varjake avatud kontaktid ja pakendage aku selliselt, et see ei saaks pakendis liukida.

1. Järgige kasutusõlmatuks muutunud aku käitlemisel kohalikke eeskirju.

HOIDKE JUHEND ALLES.

▲ETTEVAATUST: Kasutage ainult Makita originaalakusid. Mitte Makita originaalakude või muudetud akude kasutamine võib põhjustada akude süttimise, kehavigastuse ja kahjustuse. Samuti muudab see kehtetuks Makita tööriista ja laadija Makita garantii.

Vihjeid aku maksimaalse kasutaja tagamise kohta

1. Laadige akukassetti enne selle täielikku tühjenemist. Kui märkate, et tööriist töötab väiksema võimsusega, peatage töö ja laadige akukassetti.
2. Ärge laadige täielikult laetud akukassetti. Ülelaadimine lühendab akude kasutusiga.
3. Laadige akukassetti toatemperatuuril 10 °C - 40 °C. Enne laadimist laske kuumenenud akukassetil maha jahtuda.
4. Kui te ei kasuta akukassetti kauem kui kuus kuud, laadige see.

FUNKSIONAALNE KIRJELDUS

Akukasseti paigaldamine või eemaldamine

▲ETTEVAATUST: Lülitage tööriist alati enne akukasseti paigaldamist või eemaldamist välja.

▲ETTEVAATUST: Enne kasutamist lukustage kindlasti akukate. Muidu võivad pori, muld või vesi põhjustada toote või akukasseti kahjustuse.

▲ETTEVAATUST: Paigaldage akukassett alati täies ulatuses nii, et punast osa ei jääks näha. Muidu võib adapter juhuslikult tööriistast välja kukkuda ning põhjustada teile või läheduses viibivatele isikutele vigastusi.

▲ETTEVAATUST: Ärge rakendage akukasseti paigaldamisel jõudu. Kui kassetti ei lähe kergesti sisse, pole see õigesti paigaldatud.

MÄRKUS: Tööriist ei tööta ainult ühe akukassetiga.

Akukasseti paigaldamine

1. Libistage akukatte lukustushooba ja avage akukate.
▶ **Joon.1:** 1. Akukate 2. Akukatte lukustushoob
2. Viige akukasseti keel kohakuti niidukil asuva pesaga ja lükake kassetti, kuni see klõpsatusega oma kohale kinnitub. Kui näete nupu ülaosas punast osa, pole akukassett täielikult lukustunud.

▶ **Joon.2:** 1. Akukassett

3. Sisestage lukustusvõti joonisel näidatud kohta nii sügavale kui võimalik.

▶ **Joon.3:** 1. Lukustusvõti

4. Sulgege akukate ja vajutage sellele, kuni lukustushoob selle fikseerib.

Niiduki akukasseti eemaldamine

1. Libistage akukatte lukustushooba ja avage akukate.
2. Tõmmake akukassetti niidukist, lükates samal ajal kasseti esiküljel paiknevat nuppu.
3. Tõmmake lukustusvõti välja.
4. Sulgege akukate.

Tööriista/aku kaitsesüsteem

Tööriist on varustatud tööriista või aku kaitsesüsteemiga. Süsteem lülitab mootori automaatselt välja, et pikendada tööriista ja aku tööiga. Tööriist seiskub käitamise ajal automaatselt, kui tööriista või aku kohta kehtib üks järgmistest tingimustest. Teatud tingimustes hakkavad indikaatorid põlema.

Ülekoormuskaitse

Kui tööriista kasutamise käigus hakkab see tarbima ebaharilikult palju voolu, peatub tööriist automaatselt ilma igasuguse signaalita. Sellisel juhul lülitage tööriist välja ning lõpetage tööriista ülekoormuse põhjustanud tegevus. Pärast seda käivitage tööriist uuesti.

Ülekuumenemiskaitse

Kui tööriist on ülekuumenenud, seiskub tööriist automaatselt. Laske tööriistal maha jahtuda, enne kui selle uuesti sisse lülitate.





Ülelaadimiskaitse



Kui aku laetuse tase on madal, siis seiskub tööriist automaatselt. Kui seade ei hakka tööle ka lülitate kasutamisel, eemaldage tööriistast akud ja laadige neid.

Aku jääkmahutavuse näit

▶ **Joon.4:** 1. Akunäidiku 2. Kontrollimise nupp

Aku järelejäänud mahutavuse kontrollimiseks vajutage kontrollimise nuppu. Kummalgi akul on oma akuindikaator.

Akunäidiku olek		Aku jääkmahutavus
Pöleb	Ei põle	
		50–100%
		20–50%
















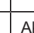

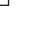

Akunäidiku olek		Aku jääkmahutavus
 Pöleb	 Ei põle	
		0–20%

Aku jääkmahutavuse näit

Ainult akukassetid, mille mudelinumber lõppeb tähega „B”

► **Joon.5:** 1. Märgulambid 2. Kontrollimise nupp

Akukasseti järelejäänud mahutavuse kontrollimiseks vajutage kontrollimise nuppu. Märgulambid süttivad mõneks sekundiks.

Märgulambid			Jääkmahutavus
 Pöleb	 Ei põle	 Vilgub	
			75 - 100%
			50 - 75%
			25 - 50%
			0 - 25%
			Laadige akut.
			Akul võib olla tõrge.
			

MÄRKUS: Näidatud mahutavus võib veidi erineda tegelikust mahutavusest olenevalt kasutustingimustest ja ümbritseva keskkonna temperatuurist.

Lüliti funktsioneerimine

▲HOIATUS: Kontrollige alati enne akukasseti sisestamist seda, kas hooblülitit töötab nõuetekohaselt ning kas see liigub pärast vabastamist algasendisse tagasi. Tööriista juhtimine lüliti abil, mis ei toimi korralikult, võib kaasa tuua kontrolli kaotamise sae üle ja põhjustada tõsiseid vigastusi.

MÄRKUS: Niiduk ei käivitu, kui te toitelüliti ei vajuta (seda ka juhul, kui hooblülitit tõmbate).

MÄRKUS: Niiduk ei pruugi ülekoormuse tõttu käivituda, kui üritate niita liiga kõrget või tihedat heina. Sellisel juhul suurendage niitmiskõrgust.

See niiduk on varustatud blokeerilülitiga ja käepidemel oleva lülitiga. Kui märkate midagi ebatavalist, mis on seotud ühega neist lülitist, seisake niiduk viivitamatult ja laske teen lüliteid lähimas Makita volitatud teeninduskeskuses kontrollida.

1. Paigaldage akukassetid. Sisestage lukustusvõti blokeerilülisse ja seejärel sulgege akukate.

► **Joon.6:** 1. Akukassett 2. Lukustusvõti

2. Vajutage lülitisnuppu ja hoidke seda all.

3. Haarake ülemisest käepidemest ja tõmmake hooblülitit.

► **Joon.7:** 1. Lülitisnupp 2. Hooblülit

4. Vabastage toitelüliti niipea, kui mootor käivitus. Niiduki mootor töötab, kuni hooblülitit vabastate.

5. Vabastage hooblülitit, et mootor seisata.

Niitmiskõrguse reguleerimine

▲HOIATUS: Ärge pange niitmiskõrguse reguleerimisel käsi või jalgu kunagi niiduki alla.

▲HOIATUS: Veenduge alati enne seadme kasutamist, et hoob sobitaks soonde.

Niitmiskõrgust saab reguleerida vahemikus 20 mm – 75 mm.

1. Eemaldage lukustusvõti.

2. Tõmmake niitmiskõrguse reguleerimishooba niiduki korpusest eemale ja liigutage sobivale niitmiskõrgusele.

► **Joon.8:** 1. Niitmiskõrguse reguleerimishoob

MÄRKUS: Niitmiskõrguse näitajaid tuleks kasutada orientiirina. Maapinna ja muru seisundist olenevalt võib tegelik murukõrgus olla valitud kõrgusest erinev.

MÄRKUS: Katsetage muru niitmiskõrguse seadistust vähem nähtavas kohas, et leida sobiv kõrgus.

Rohutaseme indikaator

► **Joon.9:** 1. Rohutaseme indikaator

Rohutaseme indikaator näitab niidetud rohu mahtu.

- Kui murukogur ei ole täis, siis indikaator „ujub” niitmise ajal.
- Kui murukogur on täis, siis indikaator ei „uju” niitmise ajal. Sellisel juhul peatage kohe niitmine ja tühjendage kogur. Pärast koguri tühjendamist puhastage seda niimoodi, et õhk pääseks läbi võrgusilmade.

MÄRKUS: Selle indikaatori puhul on tegemist ligikaudse näidikuga. Kruvikeeraja on varustatud kruvide sisestamise sügavuse regulaatoriga.

KOKKUPANEK

▲HOIATUS: Veenduge enne niidukil igasuguste tööde tegemist, et lukustusvõti ja akukassett oleks eemaldatud. Lukustusvõtme ja akukasseti eemaldamata jätmine võib põhjustada tõsiseid tervisekahjustusi, kui niiduk juhuslikult käivitub.

▲HOIATUS: Ärge käivitage kunagi niidukit, kui see pole täielikult monteeritud. Osaliselt monteeritud niiduki käivitamine võib põhjustada tõsiseid tervisekahjustusi.

Akukatte paigaldamine

⚠️HOIATUS: Ärge paigaldage lukustusvõiti ega akukassetti enne akukatte paigaldamist. Muidu võib tagajärjeks olla tõsine vigastus.

Enne töötamise algust paigaldage täielikult akukate. Akukate kaitseb niidukit ja akukassetti pori, prahi ja vee eest.

1. Asetage akukate sellisel, et niiduki eendid oleksid kohakuti akukattes asuvate avadega.
▶ **Joon.10:** 1. Eend 2. Ava 3. Akukate
2. Asetage käed akukatte keskele ja suruge seda.
▶ **Joon.11**
3. Enne töö alustamist kontrollige, et akukatte pöördetelje tüht oleks nõuetekohaselt kinnitatud. Kui akukate on õigesti paigaldatud, avaneb see ainult akukatte lukustushoova tõmbamisel.
▶ **Joon.12:** 1. Pöördetelje 2. Akukatte lukustushoov

Käepideme paigaldamine

TÄHELEPANU: Käepidemete paigaldamisel paigutage juhtmed nii, et need ei jääks käepidemete vahel millegi külge kinni. Kui juhe on kahjustatud, ei pruugi niiduki lülitit toimida.

1. Lükake alumise käepideme mõlemad otsad niiduki soontesse ja kinnitage seejärel kinnitusklaamid lõpuni.
▶ **Joon.13:** 1. Kinnituskruvi 2. Alumine käepide
2. Viige alumise ja ülemise käepideme kruviavad omavahel kohakuti. Kinnitage need kinnituskruid ja mutritega.
▶ **Joon.14:** 1. Kinnitusmutter 2. Kinnituskruvi

MÄRKUS: Hoidke ülemist käepidet kindlalt, nii et see ei kukuks teil käest maha.

3. Kinnitage hoidikud käepidemele. Paigutage toitejuhe joonisel näidatud viisil.
▶ **Joon.15:** 1. Hoidik

Niiduki tera eemaldamine või paigaldamine

⚠️HOIATUS: Eemaldage lukustusvõti ja akukassett alati enne lõiketera eemaldamist või paigaldamist. Lukustusvõtme või akukasseti eemaldamata jätmine võib tuua kaasa tõsiseid vigastusi.

⚠️HOIATUS: Pärast lülitit vabastamist pöörleb lõiketera mõned sekundid tühikäigul. Ärge alustage toiminguid enne, kui tera on täielikult seiskunud.

⚠️HOIATUS: Kandke lõiketera käsitsemisel alati kaitsekindaid.

Niiduki tera eemaldamiseks tehke järgmised toimingud.

1. Asetage niiduk küljele, nii et niitmiskõrguse reguleerimishoov jääb üles.
2. Tera pöörlemise lukustamiseks sisestage kruvikeeraja vms sarnane tööriist tera aluses olevasse avasse.

3. Keerake polti mutrivõtmeega vastupäeva.
▶ **Joon.16:** 1. Niiduki tera 2. Kruvikeeraja 3. Mutrivõti
4. Eemaldage järjekorras polt, väline äärik, niiduki tera ja sisemine äärik.
▶ **Joon.17:** 1. Siseäärik 2. Pöörlemisruuna nool 3. Välisäärik 4. Polt 5. Niiduki tera

Niiduki tera paigaldamiseks järgige eemaldamise protseduuri vastupidises järjekorras.

⚠️HOIATUS: Paigaldage hoolikalt tera. Sellel on ülemine/alumine külg. Asetage tera niimoodi, et selle pöörlemisruuna nooled oleks suunatud väljapoole.

⚠️HOIATUS: Seejärel pinguldage polti päripäeva, et lõiketera fikseerida.

⚠️HOIATUS: Veenduge, et tera ja kõik selle kinnitussosad oleks korralikult paigaldatud ja kindlalt pingutatud.

⚠️HOIATUS: Terasid vahetades järgige alati juhendis toodud juhtnööre.

Murukoguri paigaldamine

1. Eemaldage lukustusvõti.
2. Tõstke niiduki tagumine kaitsekate üles.
▶ **Joon.18**
3. Haakige murukoguri niiduki kerel olevasse soonde, nagu on näidatud joonisel.
▶ **Joon.19:** 1. Konks 2. Soon 3. Murukogur

TÖÖRIISTA KASUTAMINE

Niitmine

⚠️HOIATUS: Puhastage niidetav ala enne niitmist okstest ja kividest. Lisaks puhastage niidetav ala enne niitmist ka umbrohust.

⚠️HOIATUS: Kandke niiduki kasutamisel alati kaitseprille (või nt külgmiste kaitsetega kaitseprille).

▶ **Joon.20**

Hoidke niitmisel kindlalt kahe käega niiduki käepidemest.

Niitmislaiuse orientiiriks on esirataste välisäärikud. Muru ühtlaseks niitmiseks kasutage kahe esiratta välimisi servi, et niita muruplats ridade kaupa niimoodi, et iga rida oleks eelnevaga kolmandiku võrra ülekattes. Kontrollige regulaarselt murukoguris oleva niidetud muru kogust. Tühjendage murukogur enne selle täitumist. Enne iga sellist kontrolli seisake niiduk ning eemaldage seejärel lukustusvõti ja akukassett niidukist.

MÄRKUS: Täis murukogur takistab niiduki lõiketeradel sujuvalt pöörlema ja lisab mootorile lisakoormuse, mis võib põhjustada mootoririkkeid.

Kõrge muru niitmine

Ärge niitke kõrget muru korraga. Selle asemel niitke muru mitmes etapis. Jätke niitmiste vahele üks kuni kaks päeva, et muru muutuks ühtlaseks.

MÄRKUS: Kõrge rohu korraga lühikeseks niitmine võib põhjustada muru kuivamise. Samuti võib niidetud muru ummistada seest niiduki korpuse.

Murukoguri tühjendamine

⚠️HOIATUS: Õnnetuste ärahoidmiseks kontrollige murukogurit regulaarselt kahjustuste või tugevuse vähenemise suhtes. Vajaduse korral vahetage murukogur.

1. Vabastage hooblüliti.
2. Eemaldage lukustusvõti.
3. Tõstke tagumine kaitsekate üles ja tõmmake murukogur käepidemest kinni hoides välja.
▶ **Joon.21:** 1. Tagumine kaitsekate 2. Käepide
4. Tühjendage murukogur.

HOOLDAMINE JA HOIUSTAMINE

⚠️HOIATUS: Veenduge alati enne niiduki hoiustamist, kontrollimist ja hooldamist, et lukustusvõti ja akukassett oleksid niidukist eemaldatud.

⚠️HOIATUS: Kui niidukit ei kasutata, eemaldage alati lukustusvõti. Hoiustage lukustusvõtit turvalises ja lastele kättesaamatus kohas.

⚠️HOIATUS: Kandke kontrollimise või hooldamise ajal kaitsekindaid.

TÄHELEPANU: Ärge kunagi kasutage bensiini, vedeldit, alkoholi ega midagi muud sarnast. Selle tulemuseks võib olla luitumine, deformatsioon või pragunemine.

Hooldus

1. Eemaldage lukustusvõti. Hoiustage seda turvalises ja lastele kättesaamatus kohas.
2. Puhastage niidukit niiske lapiga. Ärge pihustage või valage niiduki peale vett.
3. Asetage niiduk küljele ja puhastage see kere alla kogunenud murujääkidest.
4. Kontrollige kõikide mutrite, poltide, nuppude, kruvide, kinnitite jne pingust.
5. Kontrollige liikuvaid osi kahjustuste, purunemise ja kulumise suhtes. Kahjustatud või puuduvad osad tuleb remontida või välja vahetada.

Hoiustamine

⚠️HOIATUS: Niidukit kandes või hoiustades ärge hoidke kokkupandud käepidemest, vaid niiduki eesmisest käepidemest. Kokkupandud käepidemest hoidmine võib põhjustada tõsiseid vigastusi või niidukit kahjustada.

Eemaldage enne niiduki hoiustamist sellest akukassett. Hoiustage niidukit siseruumides, jahedas, kuivas ja lukustatud kohas. Ärge hoidke niidukit ega laadijat kohtades, kus temperatuur võib tõusta üle 40 °C.

▶ **Joon.22:** 1. Eesmine käepide 2. Tagumine käepide

1. Vabastage kinnituskruvid ja tõmmake alumist käepidet mõlemale küljele. Viige käepide ette alla. Hoidke samal ajal alumisest käepidemest tugevasti kinni, et see niiduki kerest eemale ei kukuks.

▶ **Joon.23:** 1. Kinnituskruvi 2. Alumine käepide

2. Vabastage kinnitusmutrid ja pöörake ülemine käepide tagasi, tõmmates mõlemat külge laiali.

▶ **Joon.24:** 1. Kinnitusmutter 2. Ülemine käepide

3. Hoidke murukogurit käepideme ja niiduki kere vahel.

▶ **Joon.25:** 1. Murukogur

MÄRKUS: Kui asetate niidukit püstisesse asendisse, ärge hoidke käepidemest, vaid kasutage niiduki esiosas olevat käepidet.

Toote OHUTUSE ja TÖÖKINDLUSE tagamiseks tuleb vajalikud remonttööd ning muud hooldus- ja reguleerimistööd lasta teha Makita volitatud teeninduskeskustes või tehase teeninduskeskustes. Alati tuleb kasutada Makita varuosi.

VEAOTSING

Enne remonditöökotta pöördumist kontrollige niidukit ise. Ärge üritage niidukit lahti võtta, kui leiata probleemi, mida kasutusjuhendis ei kirjeldata. Selle asemel pöörduge Makita volitatud teeninduskeskusesse, kus kasutatakse remontimisel alati Makita tagavaraosi.

Tõrge	Võimalik põhjus (riike)	Lahendus
Niiduk ei käivitu.	Kaks akukassetti ei ole paigaldatud.	Paigaldage laetud akukassetid.
	Akuga seotud probleem (alapinge)	Laadige akukassett. Kui laadimine ei anna tulemust, vahetage akukassett välja.
	Lukustusvõti ei ole sisestatud.	Sisestage lukustusvõti.
Mootor seiskub pärast lühiajalist töötamist.	Aku laetustase on madal.	Laadige akukassett. Kui laadimine ei anna tulemust, vahetage akukassett välja.
	Niitmiskõrgus on liiga madal.	Tõstke niitmiskõrgust.
Mootor ei saavuta maksimaalset pöörlemiskiirust.	Akukassett ei ole õigesti paigaldatud.	Paigaldage akukassett juhendis kirjeldatud viisil.
	Aku võimsus langeb.	Laadige akukassett. Kui laadimine ei anna tulemust, vahetage akukassett välja.
	Veosüsteem ei tööta korralikult.	Paluge volitatud teeninduskeskuses teha parandustööd.
Lõikeseade ei pöörle: ⇒ seisake kohe niiduk!	Kõrvaline ese, näiteks puuoks on tera blokeeritud.	Eemaldage kõrvaline ese.
	Veosüsteem ei tööta korralikult.	Paluge volitatud teeninduskeskuses teha parandustööd.
Ebatavaline vibratsioon: ⇒ seisake kohe niiduk!	Tera ei ole tasakaalus või on ülemäära või ebaühtlaselt kulunud.	Vahetage tera.

VALIKULISED TARIKUD

⚠ETTEVAATUST: Neid tarvikuid ja lisaseadiseid on soovitatav kasutada koos Makita tööriistaga, mille kasutamist selles kasutusjuhendis kirjeldatakse. Muude tarvikute ja lisaseadiste kasutamisega kaasneb vigastada saamise oht. Kasutage tarvikuid ja lisaseadiseid ainult otstarbekohaselt.

Saate vajaduse korral kohalikust Makita teeninduskeskusest lisateavet nende tarvikute kohta.

- Niiduki tera
- Makita algupärane aku ja laadija

MÄRKUS: Mõned nimekirjas loetletud tarvikud võivad kuuluda standardvarustusse ning need on lisatud tööriista pakendisse. Need võivad riigiti erineda.








ТЕХНИЧЕСКИЕ ХАРАКТЕРИСТИКИ

Модель:		DLM431	
Ширина кошения (диаметр лезвия)		430 мм	
Число оборотов без нагрузки		3 600 мин ⁻¹	
Размеры (Д x Ш x В)	во время работы	Макс. 1 490 мм x 460 мм x 1 020 мм Мин. 1 450 мм x 460 мм x 950 мм	
	при хранении (без корзины для травы)	490 x 460 x 910 мм	
Номинальное напряжение		36 В пост. тока	
Стандартный(е) блок(и) аккумулятора ▲ Осторожно! Применяйте только описанные в этом документе блоки аккумулятора.		BL1815N/BL1820/BL1820B	BL1830/BL1830B/BL1840/ BL1840B/BL1850/BL1850B/ BL1860B
Масса нетто		17,8 кг	18,3 кг

- Благодаря нашей постоянно действующей программе исследований и разработок указанные здесь технические характеристики могут быть изменены без предварительного уведомления.
- Технические характеристики и блок аккумулятора могут отличаться в зависимости от страны.
- Масса (с блоком аккумулятора) в соответствии с процедурой EPTA 01.2003

Символы

Ниже приведены символы, используемые для обозначения. Перед использованием убедитесь, что вы понимаете их значение.

	Обратите особое внимание.
	Прочитайте руководство по эксплуатации.
	Опасности! Возможен разлет твердых предметов.
	Расстояние от инструмента до находящихся поблизости людей должно быть не менее 15 м.
	Не приближайте руки и ноги к ножам под днищем газонокосилки. После выключения электромотора лезвия продолжают вращаться.
	Перед осмотром, регулировкой, очисткой, обслуживанием, оставлением и хранением газонокосилки извлекайте ключ блокировки.
	Только для стран ЕС Не выбрасывайте электрооборудование или аккумуляторы вместе с бытовым мусором! В соответствии с европейскими директивами об утилизации электрического и электронного оборудования, о батареях и аккумуляторах, а также использованных батареях и аккумуляторах и их применении в соответствии с местными законами электрооборудование, батареи и аккумуляторы, срок эксплуатации которых истек, должны утилизироваться отдельно и передаваться для утилизации на предприятие, соответствующее применяемым правилам охраны окружающей среды.

Назначение

Инструмент предназначен для кошения газонов.

Шум

Типичный уровень взвешенного звукового давления (A), измеренный в соответствии с EN60335:
Уровень звукового давления (L_{РА}): 80 дБ (A)
Уровень звуковой мощности (L_{WA}): 93 дБ (A)
Погрешность (K): 3 дБ (A)

Уровень шума при выполнении работ может превышать 80 дБ (A).

Вибрация

Суммарное значение вибрации (сумма векторов по трем осям), определенное в соответствии с EN60335:
Распространение вибрации (a_h): 2,5 м/с² или менее
Погрешность (K): 1,5 м/с²

ПРИМЕЧАНИЕ: Заявленное значение распространения вибрации измерено в соответствии со стандартной методикой испытаний и может быть использовано для сравнения инструментов.

ПРИМЕЧАНИЕ: Заявленное значение распространения вибрации можно также использовать для предварительных оценок воздействия.

⚠ОСТОРОЖНО: Распространение вибрации во время фактического использования электроинструмента может отличаться от заявленного значения в зависимости от способа применения инструмента.

⚠ОСТОРОЖНО: Обязательно определите меры безопасности для защиты оператора, основанные на оценке воздействия в реальных условиях использования (с учетом всех этапов рабочего цикла, таких как выключение инструмента, работа без нагрузки и включение).

Декларация о соответствии ЕС

Только для европейских стран

Makita заявляет, что следующее устройство (устройства):

Обозначение устройства: Аккумуляторная газонокосилка

Модель / тип: DLM431

Соответствует(-ют) следующим директивам ЕС: 2000/14/ЕС, 2006/42/ЕС

Изготовлены в соответствии со следующим стандартом или нормативными документами: EN60335

Технический файл в соответствии с документом

2006/42/ЕС доступен по адресу:

Makita, Jan-Baptist Vinkstraat 2, 3070, Belgium

Процедура оценки соответствия согласно директиве 2000/14/ЕС была проведена в соответствии с приложением VI.

Уполномоченный орган: TÜV Rheinland LGA Products GmbH

Am Grauen Stein 29 51105 Köln Germany

Идентификационный номер 0197

Измеренный уровень звуковой мощности: 93 дБ (А)

Гарантированный уровень звуковой мощности: 94 дБ (А)

1.12.2015

Ясуси Фукайа (Yasushi Fukaya)

Директор

Makita, Jan-Baptist Vinkstraat 2, 3070, Belgium

ВАЖНЫЕ ИНСТРУКЦИИ ПО ТЕХНИКЕ БЕЗОПАСНОСТИ

⚠ОСТОРОЖНО: Ознакомьтесь со всеми инструкциями и рекомендациями по технике безопасности. Невыполнение инструкций и рекомендаций может привести к поражению электротоком, пожару и/или тяжелым травмам.

Сохраните брошюру с инструкциями и рекомендациями для дальнейшего использования.

1. Не вставляйте ключ в газонокосилку, пока она не будет готова к эксплуатации.
2. Следует следить за маленькими детьми, чтобы они не использовали газонокосилку в качестве игрушки.

3. Не разрешайте детям и лицам, не знакомым с данными инструкциями, пользоваться косилкой. В местном законодательстве могут существовать возрастные ограничения для операторов.
4. Запрещается эксплуатировать газонокосилку, если поблизости находятся люди (в особенности дети) или животные.
5. Помните, что оператор/пользователь несет ответственность за происшествия и опасные ситуации с другими людьми или их собственностью.
6. На время эксплуатации косилки обязательно надевайте прочную обувь и длинные брюки. Не пользуйтесь оборудованием босиком или в открытых сандалиях. Не следует носить галстук, свободную одежду или украшения, а также одежду, украшенную свисающими шнурами. Их может затянуть движущимися деталями.
7. Используйте устройство только в дневное время или при хорошем искусственном освещении.
8. Не рекомендуется использовать машину на мокрой траве.
9. Запрещается использовать с газонокосилку во время дождя.
10. Эксплуатация и обслуживание электроинструмента, работающего на аккумуляторах - Заряжайте аккумулятор только зарядным устройством, указанным изготовителем. Зарядное устройство, подходящее для одного типа блока аккумулятора, может привести к пожару при его использовании с другим блоком.
 - Используйте электроинструмент только с указанными блоками аккумулятора. Использование других блоков аккумуляторов может привести к травме или пожару.
 - Когда блок аккумулятора не используется, храните его отдельно от металлических предметов, таких как скрепки, монеты, ключи, гвозди, шурупы или другие небольшие металлические предметы, которые могут привести к закорачиванию контактов аккумуляторного блока между собой. Короткое замыкание между контактами аккумуляторного блока может привести к ожогам или пожару.
 - При неправильном обращении из аккумуляторного блока может потечь жидкость. Избегайте контакта с ней. В случае контакта с кожей промойте место контакта обильным количеством воды. В случае попадания в глаза обратитесь к врачу. Жидкость из аккумулятора может вызвать раздражение или ожоги.
11. Постоянно надежно удерживайте рукоятку.
12. Соблюдайте осторожность на склонах.
13. Передвигайтесь шагом, не бегите.
14. Поднимаемая или удерживаемая косилку, не беритесь за оголенные ножи или режущие кромки.
15. Физическое состояние – не эксплуатируйте газонокосилку, находясь под действием наркотиков, алкоголя или лекарств.

16. Не приближайте руки и ноги к вращающимся ножам. Внимание - лезвия продолжают вращаться после отключения газонокосилки.
17. Пользуйтесь только оригинальными лезвиями производителя, указанными в данном руководстве.
18. Перед эксплуатацией тщательно осмотрите лезвия и убедитесь в отсутствии трещин или повреждений. Немедленно замените треснувшее или поврежденное лезвие.
19. Перед началом работы убедитесь, что поблизости никого нет. Если кто-либо приблизился, выключите газонокосилку.
20. Перед началом работы очистите площадку от посторонних предметов (камней, проволоки, бутылок, костей и больших палок), чтобы не допустить травм или повреждения газонокосилки.
21. Немедленно прекратите выполнение операции, если заметите какие-либо сбои. Выключите газонокосилку и извлеките ключ. Затем осмотрите газонокосилку.
22. Запрещается регулировать высоту колес на работающей газонокосилке.
23. Отпустите рычажный выключатель и дождитесь остановки лезвия, прежде чем переходить улицы, пешеходные дорожки, дороги и любые области с гравийным покрытием. Кроме того, извлекайте ключ, если оставляете газонокосилку, нагибаетесь, чтобы подобрать или убрать что-либо с дороги, или по любой другой причине, которая может отвлечь вас от работы.
24. Предметы, отброшенные лезвием газонокосилки, могут нанести тяжелые травмы. Перед началом работы необходимо тщательно осмотреть газон и очистить его от всех предметов.
25. Если газонокосилка ударилась о посторонний предмет, выполните следующее:
 - выключите газонокосилку, отпустите рычажный выключатель и дождитесь полной остановки лезвия;
 - извлеките ключ и блок аккумулятора;
 - внимательно осмотрите газонокосилку на предмет повреждений;
 - замените лезвие, если оно повреждено. Устраните повреждения, прежде чем перезапускать газонокосилку и возобновлять работу.
26. Чаще проверяйте корзину для травы на предмет износа или повреждений. Помещая устройство на хранение, обязательно очистите корзину для травы. Для обеспечения безопасности замените изношенную корзину для травы на новую.
27. Соблюдайте особую осторожность, перемещая газонокосилку задним ходом или подтягивая ее к себе.
28. Обязательно остановите лезвие(я), если машину необходимо наклонить для транспортировки по поверхности, отличной от травы, либо при транспортировке машины к месту эксплуатации и обратно.
29. Запрещается использовать машину с неисправными ограждениями и экранами или без защитных приспособлений, например дефлекторов или бункера для сбора травы.
30. Осторожно включайте газонокосилку в соответствии с инструкциями, ноги при этом должны находиться как можно дальше от лезвий.
31. Не наклоняйте машину при включении двигателя, кроме случаев, когда ее необходимо наклонять для пуска. В этом случае наклоняйте ее на минимальный возможный угол и поднимайте только дальнюю от оператора часть.
32. Не включайте двигатель, стоя перед разгрузочным отверстием.
33. Не помещайте руки или ноги под вращающиеся детали или вблизи них. Никогда не становитесь перед разгрузочным отверстием.
34. Не транспортируйте включенную газонокосилку.
35. Выключите машину и снимите блокиратор. Убедитесь, что все движущиеся части полностью остановились, если
 - оставляете машину;
 - планируете устранять засоры и удалять предметы, закупорившие желоб;
 - собираетесь проверять, очищать оборудование или выполнять его обслуживание;
 - оборудование ударилось о посторонний предмет. Перед запуском осмотрите машину на предмет повреждений и устраните неисправность.
36. Если начинается непредусмотренная вибрация машины (немедленно проверьте)
 - осмотрите на предмет повреждений;
 - замените или отремонтируйте поврежденные детали;
 - проверьте на предмет ослабленных деталей и подтяните их.
37. Соблюдайте осторожность при регулировке газонокосилки, чтобы не допустить защемления пальцев между движущимися лезвиями и неподвижными деталями машины.
38. Выполняйте стрижку газонов поперек склона, а не вниз-вверх. Соблюдайте особую осторожность, меняя направление движения на склонах. Не выполняйте стрижку чересчур крутых склонов.
39. Не мойте машину из шланга; не допускайте попадания воды в двигатель и на электрические разъемы.
40. Чаще проверяйте надежность затяжки болта крепления лезвия.
41. Все гайки, болты и винты должны быть надежно затянуты — это обеспечит безопасность и работоспособность.
42. Перед постановкой на хранение дайте косилке остыть.
43. При обслуживании лезвий следует помнить, что лезвия могут двигаться даже при отключенном питании.
44. Чтобы обеспечить безопасность, заменяйте изношенные и поврежденные детали.

Используйте только оригинальные сменные части и приспособления.

СОХРАНИТЕ ДАННЫЕ ИНСТРУКЦИИ.

▲ОСТОРОЖНО: НЕ ДОПУСКАЙТЕ, чтобы удобство или опыт эксплуатации данного устройства (полученный от многократного использования) доминировали над строгим соблюдением правил техники безопасности при обращении с этим устройством.

НЕПРАВИЛЬНОЕ ИСПОЛЬЗОВАНИЕ инструмента или несоблюдение правил техники безопасности, указанных в данном руководстве, может привести к тяжелой травме.

Важные правила техники безопасности для работы с аккумуляторным блоком

1. Перед использованием аккумуляторного блока прочитайте все инструкции и предупреждающие надписи на (1) зарядном устройстве, (2) аккумуляторном блоке и (3) инструменте, работающем от аккумуляторного блока.
2. Не разбирайте аккумуляторный блок.
3. Если время работы аккумуляторного блока значительно сократилось, немедленно прекратите работу. В противном случае, может возникнуть перегрев блока, что приведет к ожогам и даже к взрыву.
4. В случае попадания электролита в глаза промойте их обильным количеством чистой воды и немедленно обратитесь к врачу. Это может привести к потере зрения.
5. Не замыкайте контакты аккумуляторного блока между собой:
 - (1) Не прикасайтесь к контактам какими-либо токопроводящими предметами.
 - (2) Не храните аккумуляторный блок в кейсе вместе с другими металлическими предметами, такими как гвозди, монеты и т. п.
 - (3) Не допускайте попадания на аккумуляторный блок воды или дождя.Замыкание контактов аккумуляторного блока между собой может привести к возникновению большого тока, перегреву, возможным ожогам и даже поломке блока.
6. Не храните инструмент и аккумуляторный блок в местах, где температура может достигать или превышать 50 °C (122 °F).
7. Не бросайте аккумуляторный блок в огонь, даже если он сильно поврежден или полностью вышел из строя. Аккумуляторный блок может взорваться под действием огня.
8. Не роняйте и не ударяйте аккумуляторный блок.
9. Не используйте поврежденный аккумуляторный блок.

10. Входящие в комплект литий-ионные аккумуляторы должны эксплуатироваться в соответствии с требованиями законодательства об опасных товарах.

При коммерческой транспортировке, например, третьей стороной или экспедитором, необходимо нанести на упаковку специальные предупреждения и маркировку.

В процессе подготовки устройства к отправке обязательно проконсультируйтесь со специалистом по опасным материалам. Также соблюдайте местные требования и нормы. Они могут быть строже.

Закройте или закрепите разомкнутые контакты и упакуйте аккумулятор так, чтобы он не перемещался по упаковке.

11. Выполняйте требования местного законодательства относительно утилизации аккумуляторного блока.

СОХРАНИТЕ ДАННЫЕ ИНСТРУКЦИИ.

▲ВНИМАНИЕ: Используйте только фирменные аккумуляторные батареи Makita.

Использование аккумуляторных батарей, не произведенных Makita, или батарей, которые были подвергнуты модификациям, может привести к взрыву аккумулятора, пожару, травмам и повреждению имущества. Это также автоматически аннулирует гарантию Makita на инструмент и зарядное устройство Makita.

Советы по обеспечению максимального срока службы аккумулятора

1. Заряжайте блок аккумуляторов перед его полной разрядкой. Обязательно прекратите работу с инструментом и зарядите блок аккумуляторов, если вы заметили снижение мощности инструмента.
2. Никогда не подзаряжайте полностью заряженный блок аккумуляторов. Перезарядка сокращает срок службы аккумулятора.
3. Заряжайте блок аккумуляторов при комнатной температуре в 10 - 40 °C (50 - 104 °F). Перед зарядкой горячего блока аккумуляторов дайте ему остыть.
4. Зарядите ионно-литиевый аккумуляторный блок, если вы не будете пользоваться инструментом длительное время (более шести месяцев).

ОПИСАНИЕ РАБОТЫ

Установка или снятие блока аккумулятора

▲ВНИМАНИЕ: Обязательно выключайте инструмент перед установкой и извлечением блока аккумулятора.

▲ВНИМАНИЕ: Перед использованием убедитесь, что заперли крышку блока аккумулятора. В противном случае грязь, мусор или вода могут повредить изделие или блок аккумулятора.

▲ВНИМАНИЕ: Обязательно устанавливайте блок аккумулятора до конца, чтобы красный индикатор не был виден. В противном случае блок может выпасть из инструмента и нанести травму вам или другим людям.

▲ВНИМАНИЕ: Не прилагайте чрезмерных усилий при установке блока аккумулятора. Если блок не двигается свободно, значит он вставлен неправильно.

ПРИМЕЧАНИЕ: Инструмент не будет работать с одним блоком.

Чтобы установить блок аккумулятора:

1. Сдвиньте рычаг блокировки крышки аккумулятора и откройте крышку.

► **Рис.1:** 1. Крышка аккумуляторной батареи
2. Стопорный рычаг крышки аккумулятора

2. Выверните язычок на блоке аккумулятора с канавкой на газонокосилке, затем вставьте блок до щелчка. Если вы можете видеть красный индикатор на верхней части клавиши, то блок аккумулятора не до конца закреплен на месте.

► **Рис.2:** 1. Блок аккумулятора

3. Вставьте ключ блокировки до упора в точку, показанной на рисунке.

► **Рис.3:** 1. Ключ блокировки

4. Закройте крышку аккумулятора и нажмите на нее до фиксации рычагом блокировки.

Чтобы извлечь блок аккумулятора из газонокосилки:

1. Сдвиньте рычаг блокировки крышки аккумулятора и откройте крышку.

2. Потяните блок аккумулятора, удерживая нажатой кнопку на лицевой стороне, и извлеките блок.

3. Извлеките ключ блокировки.

4. Закройте крышку аккумулятора.

Система защиты инструмента/ аккумулятора

На инструменте предусмотрена система защиты инструмента/аккумулятора. Она автоматически отключает питание двигателя для продления срока службы инструмента и аккумулятора. Инструмент автоматически остановится во время работы при возникновении указанных ниже ситуаций. В некоторых ситуациях загораются индикаторы.

Защита от перегрузки

Если из-за способа эксплуатации инструмент потребляет очень большое количество тока, он автоматически остановится без включения каких-либо индикаторов. В этом случае выключите инструмент и прекратите работу, повлекшую перегрузку инструмента. Затем включите инструмент для перезапуска.

Защита от перегрева

При перегреве инструмент останавливается автоматически. Дайте инструменту остыть перед возобновлением работы.






Защита от переразрядки

При истощении заряда аккумулятора инструмент автоматически останавливается. Если устройство не работает даже после нажатия переключателей, снимите аккумуляторы с инструмента и зарядите их.

Индикация оставшегося заряда аккумулятора

► **Рис.4:** 1. Индикатор аккумулятора 2. Кнопка проверки

Нажмите кнопку проверки для проверки заряда аккумулятора. Индикаторы соответствуют каждому аккумулятору.

Состояние индикатора аккумуляторной батареи		Уровень емкости аккумулятора
 Вкл.	 Выкл.	
		50 - 100 %
		20 - 50 %
		0 - 20 %

Индикация оставшегося заряда аккумулятора

Только для аккумуляторных блоков, номер модели которых заканчивается на "В"

► **Рис.5:** 1. Индикаторы 2. Кнопка проверки

Нажмите кнопку проверки на аккумуляторном блоке для проверки заряда. Индикаторы загорятся на несколько секунд.

Индикаторы			Уровень заряда
Горит	Выкл.	Мигает	
■	□	▧	от 75 до 100%
■ ■ ■ ■			от 50 до 75%
■ ■ □ □			от 25 до 50%
■ □ □ □			от 0 до 25%
▧ □ □ □			Зарядите аккумуляторную батарею.
■ ■ □ □	↑ ↓	□ □ ■ ■	Возможно, аккумуляторная батарея неисправна.

ПРИМЕЧАНИЕ: В зависимости от условий эксплуатации и температуры окружающего воздуха индикация может незначительно отличаться от фактического значения.

Действие выключателя

▲ ОСТОРОЖНО: Перед установкой блока аккумулятора обязательно убедитесь, что рычажный выключатель работает правильно и после отпущения возвращается в исходное положение. Эксплуатация инструмента с неисправным выключателем может привести к потере контроля над инструментом и получению тяжелой травмы.

ПРИМЕЧАНИЕ: Если не нажать кнопку включения, газонокосилка не запустится, даже если потянуть рычажный выключатель.

ПРИМЕЧАНИЕ: Газонокосилка может не запуститься по причине перегрузки, если вы косите высокую или густую траву. В таком случае увеличьте высоту стрижки.

Данная газонокосилка оснащена выключателем блокировки и ручкой с выключателем. Заметив какие-либо отклонения в работе любого из этих выключателей, немедленно прекратите работу и проверьте их в ближайшем авторизованном сервисном центре Makita.

1. Установите блоки аккумуляторов. Вставьте ключ блокировки в выключатель блокировки и закройте крышку аккумулятора.

► **Рис.6:** 1. Блок аккумулятора 2. Ключ блокировки

2. Нажмите и удерживайте кнопку включения.

3. Возьмите верхнюю рукоятку и потяните рычажный переключатель.

► **Рис.7:** 1. Кнопка включения 2. Рычаг переключателя

4. Как только двигатель заработает, отпустите кнопку включения. Газонокосилка продолжит работать до тех пор, пока вы не отпустите рычажный выключатель.

5. Для выключения двигателя отпустите рычажный выключатель.

Регулировка высоты стрижки

▲ ОСТОРОЖНО: При регулировке высоты стрижки не подсовывайте руку или ногу под газонокосилку.

▲ ОСТОРОЖНО: Перед началом работы обязательно проверяйте, что рычаг хорошо входит в паз.

Высоту стрижки можно регулировать в диапазоне от 20 до 75 мм.

1. Извлеките ключ блокировки.

2. Потяните рычаг регулировки высоты стрижки к внешней стороне корпуса косилки и переведите его на нужную высоту.

► **Рис.8:** 1. Рычаг регулировки высоты стрижки

ПРИМЕЧАНИЕ: Значения высоты стрижки приведены только для справки. В зависимости от состояния газона и почвы конечная высота скошенной травы может незначительно отличаться от заданной.

ПРИМЕЧАНИЕ: Чтобы добиться желаемой высоты, выполните пробное скашивание на не слишком заметном участке газона.

Индикатор уровня травы

► **Рис.9:** 1. Индикатор уровня травы

Индикатор уровня травы показывает объем скошенной травы.

- Если корзина для травы не заполнена до верха, индикатор во время работы плавает.
- Если корзина для травы заполнена, индикатор во время работы неподвижен. В этом случае немедленно прекратите скашивание и опорожните корзину. Опорожнив корзину, очистите ее, чтобы воздух легко проходил через сетку.

ПРИМЕЧАНИЕ: Данный индикатор показывает приблизительный объем. В зависимости от условий внутри корзины индикатор может работать с ошибками.

СБОРКА

▲ ОСТОРОЖНО: Прежде чем выполнять какие-либо операции с газонокосилкой, убедитесь, что ключ блокировки и блок аккумулятора извлечены. Несоблюдение этого требования может привести к тяжелой травме в результате случайного пуска инструмента.

▲ ОСТОРОЖНО: Не запускайте частично разобранный косилку. Работа инструмента в частично разобранном виде может стать причиной тяжелой травмы в результате случайного пуска.

Установка крышки аккумулятора

⚠ОСТОРОЖНО: Устанавливайте ключ блокировки и блок аккумулятора только после установки крышки аккумулятора. Несоблюдение этого требования может привести к серьезной травме.

Перед эксплуатацией инструмента полностью установите крышку аккумулятора. Крышка аккумулятора защищает газонокосилку и блок аккумулятора от грязи, пыли и воды.

1. Расположите крышку аккумулятора так, чтобы выступы на косилке были выровнены с отверстиями в крышке.

► **Рис.10:** 1. Выступ 2. Отверстие 3. Крышка аккумуляторной батареи

2. Нажмите руками на середину крышки аккумулятора.
► **Рис.11**

3. Перед первым включением убедитесь, что петли крышки аккумулятора собраны правильно. Если крышка аккумулятора установлена верно, она не будет открываться, пока вы не нажмете на стопорный рычаг.

► **Рис.12:** 1. Петля 2. Стопорный рычаг крышки аккумулятора

Установка рукоятки

ПРИМЕЧАНИЕ: При установке рукояток расположите провода так, чтобы они не защемлялись между рукоятками. Если шнур поврежден, выключатель косилки не будет работать.

1. Установите оба конца нижней рукоятки в пазы газонокосилки и полностью затяните зажимные винты.

► **Рис.13:** 1. Зажимной винт 2. Нижняя рукоятка

2. Выровняйте отверстия под винты верхней и нижней рукояток. Зафиксируйте их при помощи зажимных винтов и гаек.

► **Рис.14:** 1. Зажимная гайка 2. Зажимной винт

ПРИМЕЧАНИЕ: Удерживайте верхнюю рукоятку ровно, чтобы она не выскальзывала из вашей руки.

3. Присоедините держатели к рукоятке. Расположите шнур подачи питания, как показано на рисунке.

► **Рис.15:** 1. Держатель

Снятие или установка лезвия косилки

⚠ОСТОРОЖНО: Обязательно извлекайте ключ блокировки и блок аккумулятора при снятии и установке лезвия. Невыполнение этого требования может привести к тяжелой травме.

⚠ОСТОРОЖНО: После отпущения выключателя лезвие продолжает вращаться по инерции в течение нескольких секунд. Не приступайте к выполнению каких-либо операций, пока лезвие полностью не остановится.

⚠ОСТОРОЖНО: При работе с лезвием обязательно надевайте защитные перчатки.

Чтобы снять лезвие газонокосилки, выполните следующие действия.

1. Положите газонокосилку на бок, чтобы рычаг регулировки высоты стрижки оказался сверху.

2. Чтобы заблокировать вращение лезвия, вставьте отвертку или похожий инструмент в отверстие в основании лезвия.

3. Поверните болт гаечным ключом против часовой стрелки.

► **Рис.16:** 1. Лезвие газонокосилки 2. Шуруповерт 3. Гаечный ключ

4. Извлеките болт, наружный фланец, лезвие газонокосилки и внутренний фланец.

► **Рис.17:** 1. Внутренний фланец 2. Стрелка направления вращения 3. Наружный фланец 4. Болт 5. Лезвие газонокосилки

Установка лезвия газонокосилки выполняется в порядке, обратном процедуре снятия.

⚠ОСТОРОЖНО: Осторожно установите лезвие. Оно должно быть направлено вверх и вниз. Расположите лезвие так, чтобы стрелка, обозначающая направление вращения, указывала наружу.

⚠ОСТОРОЖНО: Надежно затяните болт по часовой стрелке, чтобы зафиксировать лезвие.

⚠ОСТОРОЖНО: Убедитесь, что лезвие и все крепежные детали установлены правильно и надежно затянуты.

⚠ОСТОРОЖНО: При замене лезвий всегда следуйте инструкциям, приведенным в руководстве по эксплуатации.

Установка корзины для травы

1. Извлеките ключ блокировки.

2. Поднимите заднее ограждение корпуса газонокосилки.

► **Рис.18**

3. Установите корзину для травы в паз корпуса газонокосилки, как указано на рисунке.

► **Рис.19:** 1. Крючок 2. Паз 3. Корзина для травы

ЭКСПЛУАТАЦИЯ

Скашивание

⚠ОСТОРОЖНО: Перед скашиванием уберегите с газона ветки и камни. Кроме того, заблаговременно очистите газон от сорняков.

⚠ОСТОРОЖНО: При использовании газонокосилки обязательно надевайте защитные очки с боковыми щитками.

► **Рис.20**

Во время работы надежно удерживайте рукоятку газонокосилки обеими руками. Внешние края передних колес служат направляющими для определения ширины скашивания. Пользуясь колесами как указателем, скашивайте траву полосами, делая нахлест от одной трети до половины предыдущей полосы. Это обеспечит ровное скашивание травы. Периодически проверяйте степень заполнения корзины для травы. Опорожните корзину, прежде чем она заполнится полностью. Перед каждой проверкой обязательно останавливайте газонокосилку и извлеките ключ блокировки и блок аккумулятора.

ПРИМЕЧАНИЕ: Эксплуатация газонокосилки с заполненной корзиной для травы мешает плавному вращению лезвия и оказывает дополнительную нагрузку на двигатель, что может привести к поломке.

Скашивание высокой травы

Не старайтесь скосить длинную траву за один проход. Вместо этого выполняйте работу в несколько этапов. Скашивайте газон с интервалом в один или два дня до тех пор, пока он не станет ровным.

ПРИМЕЧАНИЕ: Скашивание высокой травы за один проход может стать причиной ее засыхания. Скошенная трава также может застрять в корпусе косилки.

Опорожнение корзины для травы

▲ОСТОРОЖНО: Чтобы снизить риск несчастного случая, регулярно проверяйте корзину для травы на предмет повреждений и потери прочности. При необходимости замените ее.

1. Отпустите рычажный выключатель.
2. Извлеките ключ блокировки.
3. Поднимите заднее ограждение и извлеките корзину для травы за специальную ручку.
► **Рис.21:** 1. Заднее ограждение 2. Ручка
4. Опорожните корзину для травы.

ОБСЛУЖИВАНИЕ И ХРАНЕНИЕ

▲ОСТОРОЖНО: Перед помещением на хранение или выполнением осмотра/технического обслуживания обязательно извлеките ключ блокировки и блок аккумулятора.

▲ОСТОРОЖНО: Если газонокосилка не используется, обязательно извлеките ключ блокировки. Храните ключ блокировки в безопасном месте, недоступном для детей.

▲ОСТОРОЖНО: При осмотре и обслуживании надевайте защитные перчатки.

ПРИМЕЧАНИЕ: Запрещается использовать бензин, растворители, спирт и другие подобные жидкости. Это может привести к обесцвечиванию, деформации и трещинам.

Обслуживание

1. Извлеките ключ блокировки. Храните его в безопасном месте, недоступном для детей.
2. Очистите газонокосилку влажной тряпкой. При очистке газонокосилки не распыляйте на нее воду и не поливайте ее водой.
3. Положите газонокосилку на бок и очистите обрезки травы, скопившиеся на днище.
4. Проверьте надежность затяжки всех гаек, болтов, рукояток, винтов, креплений и т. п.
5. Осмотрите подвижные части на предмет повреждений, поломок и износа. Необходимо отремонтировать или заменить поврежденные компоненты.

Хранение

▲ОСТОРОЖНО: При переноске газонокосилки или помещения на хранение беритесь не за сложенные рукоятки, а за переднюю ручку. В противном случае можно повредить сложенные рукоятки или получить тяжелую травму.

Перед помещением газонокосилки на хранение извлеките блок аккумулятора. Храните газонокосилку в помещении, в сухом, прохладном, запираемом месте. Не храните газонокосилку и зарядное устройство в местах, где температура может подниматься до 40 °C (104 °F) и выше.
► **Рис.22:** 1. Передняя рукоятка 2. Задняя рукоятка

1. Ослабьте зажимные винты и раздвиньте нижнюю рукоятку с обеих сторон. Переместите переднюю рукоятку вниз. В этот момент надежно удерживайте нижнюю рукоятку, чтобы она не упала далеко от корпуса косилки.
► **Рис.23:** 1. Зажимной винт 2. Нижняя рукоятка
2. Ослабьте зажимные гайки и поверните верхнюю рукоятку назад, выдвигая с обеих сторон.
► **Рис.24:** 1. Зажимная гайка 2. Верхняя рукоятка
3. Храните корзину для травы между рукояткой и корпусом газонокосилки.
► **Рис.25:** 1. Корзина для травы

ПРИМЕЧАНИЕ: При установке газонокосилки в вертикальное положение не беритесь за рукоятку, а используйте переднюю ручку.

Для обеспечения БЕЗОПАСНОСТИ и НАДЕЖНОСТИ оборудования ремонт, любое другое техобслуживание или регулировку необходимо производить в уполномоченных сервис-центрах Makita или сервис-центрах предприятия с использованием только сменных частей производства Makita.

ПОИСК И УСТРАНЕНИЕ НЕИСПРАВНОСТЕЙ

Прежде чем обращаться по поводу ремонта, проведите осмотр самостоятельно. Если обнаружена неисправность, не указанная в руководстве, не пытайтесь разобрать инструмент. Обратитесь в один из авторизованных сервисных центров Makita, в которых для ремонта всегда используются оригинальные детали Makita.

Состояние неисправности	Возможная причина (неисправности)	Способ устранения
Газонокосилка не запускается.	Не установлены два блока аккумуляторов.	Установите заряженные блоки аккумуляторов.
	Неисправен аккумулятор (под напряжением)	Зарядите блок аккумулятора. Если перезарядка не помогает, замените блок аккумулятора.
	Ключ блокировки не вставлен.	Вставьте ключ блокировки.
После непродолжительного использования двигатель останавливается.	Низкий уровень заряда аккумулятора.	Зарядите блок аккумулятора. Если перезарядка не помогает, замените блок аккумулятора.
	Установлена слишком малая высота срезания.	Увеличьте высоту срезания.
Двигатель не достигает максимальной частоты вращения.	Неправильно установлен блок аккумулятора.	Вставьте блок аккумулятора, как описано в этом руководстве.
	Заряд аккумулятора падает.	Зарядите блок аккумулятора. Если перезарядка не помогает, замените блок аккумулятора.
	Привод работает неправильно.	Обратитесь в местный авторизованный центр для ремонта.
Режущая головка не вращается: ⇒ немедленно выключите косилку!	Посторонний объект (например, ветка) застрял у лезвия.	Удалите посторонний предмет.
	Привод работает неправильно.	Обратитесь в местный авторизованный центр для ремонта.
Сильная вибрация: ⇒ немедленно выключите косилку!	Лезвие разбалансировано, изношено слишком сильно или неравномерно.	Замените лезвие.

ДОПОЛНИТЕЛЬНЫЕ ПРИНАДЛЕЖНОСТИ

⚠ ВНИМАНИЕ: Данные принадлежности или приспособления рекомендуются для использования с инструментом Makita, указанным в настоящем руководстве. Использование других принадлежностей или приспособлений может привести к получению травмы. Используйте принадлежность или приспособление только по указанному назначению.

Если вам необходимо содействие в получении дополнительной информации по этим принадлежностям, свяжитесь с вашим сервис-центром Makita.

- Лезвие газонокосилки
- Оригинальный аккумулятор и зарядное устройство Makita

ПРИМЕЧАНИЕ: Некоторые элементы списка могут входить в комплект инструмента в качестве стандартных приспособлений. Они могут отличаться в зависимости от страны.

Makita Europe N.V. Jan-Baptist Vinkstraat 2,
3070 Kortenberg, Belgium

Makita Corporation 3-11-8, Sumiyoshi-cho,
Anjo, Aichi 446-8502 Japan

www.makita.com

885453A987
EN, SV, NO, FI,
LV, LT, ET, RU
20151029