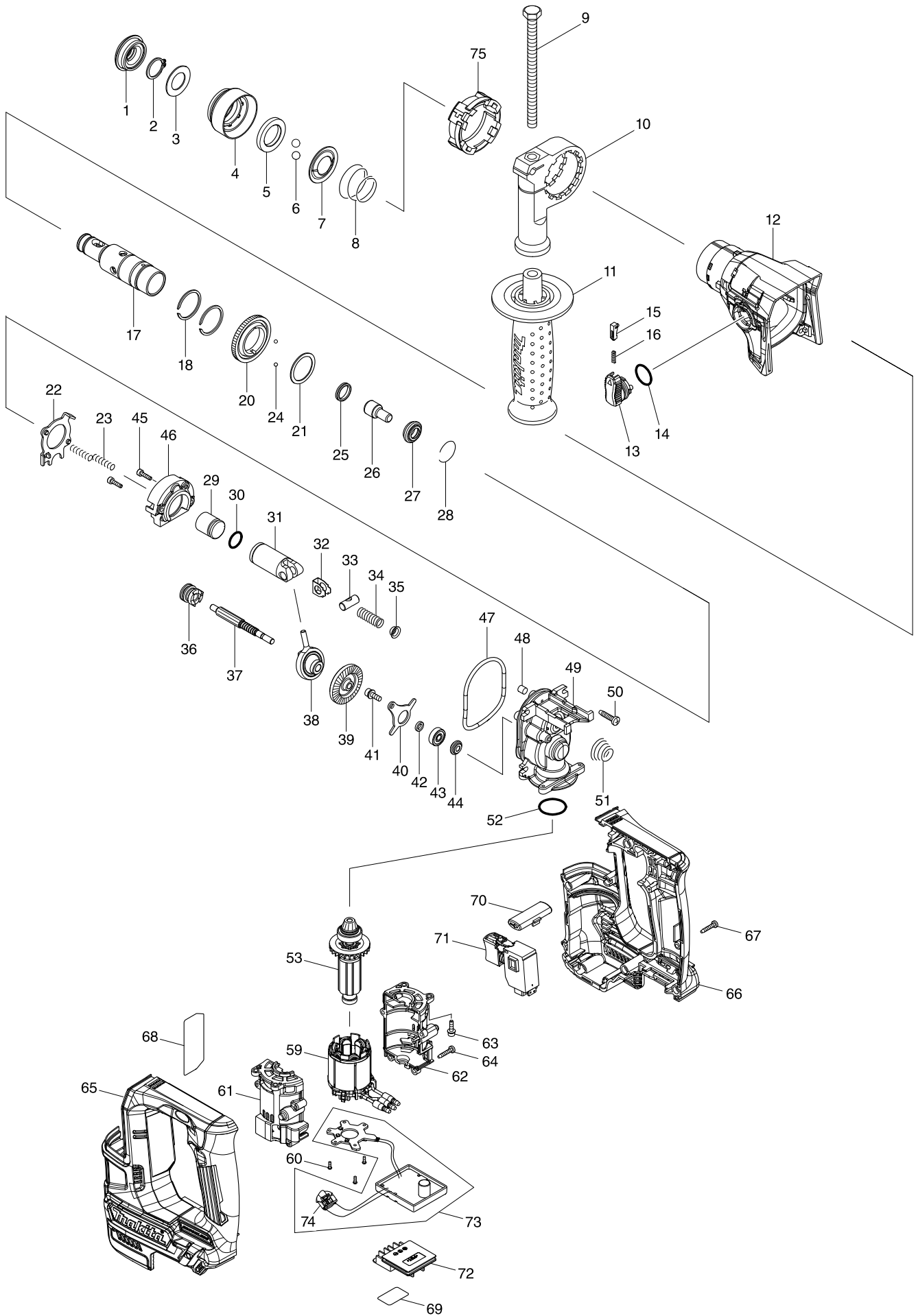


Model No. HR166D 16MM CORDLESS ROTARY HAMMER



Model No. HR166D 16MM CORDLESS ROTARY HAMMER

Item	Parts No.	Description	I/C	Qty	N/O	Opt. 1	Opt. 2	Note
001	286037-3	CAP 34		1				
002	961057-5	RETAINING RING S-17		1				
003	253377-4	FLAT WASHER 17		1				
004	457214-6	CHUCK COVER		1				
005	257416-2	RING 21		1				
006	216022-2	STEEL BALL 7.0		2				
007	346177-0	GUIDE WASHER		1				
008	232347-6	CONICAL COMP. SPRING 21-29		1				
009	921923-8	HEX. BOLT M8X120		1				
010	417911-6	GRIP BASE		1				
011	158057-6	GRIP 36 COMPLETE		1				
012	144218-4	GEAR HOUSING COMPLETE		1				
C10	211375-4	BALL BEARING 6805LLB		1				
C20	213788-5	OIL SEAL 25		1				
013	161569-0	CHANGE LEVER COMPLETE		1				
014	213278-8	O RING 17		1				
015	161568-2	LOCK BUTTON COMPLETE		1				
016	232344-2	COMPRESSION SPRING 3		1				
017	326841-9	TOOL HOLDER		1				
018	961135-1	RETAINING(EXT) WR-25		2				
020	221483-3	SPUR GEAR 57		1				
021	267175-0	FLAT WASHER 24		1				
022	161570-5	CHANGE PLATE COMPLITE		1				
023	233194-8	COMPRESSION SPRING 4		2				
024	216019-1	STEEL BALL 3		2				
025	213183-9	X RING 13		1				
026	326843-5	IMPACT BOLT		1				
027	326842-7	RING 10		1				
028	232343-4	RING SPRING 23		1				
029	326844-3	STRIKER		1				
030	213128-7	O RING 12		1				
031	319510-9	PISTON CYLINDER		1				
032	347101-6	GUIDE PLATE		1				
033	326846-9	PISTON JOINT		1				
034	232346-8	COMPRESSION SPRING 8		1				
035	347102-4	SPRING GUIDE		1				
036	326845-1	CLUTCH CAM		1				
037	221482-5	SPUR GEAR 8		1				
038	219026-3	SWASH BEARING 6		1				
039	221481-7	SPIRAL BEVEL GEAR 37		1				
040	347100-8	BEARING RETAINER		1				
041	266273-7	HEX. SOCKET HEAD BOLT M4X12		1				
042	257415-4	RING 5		1				
043	210065-6	BALL BEARING 625ZZ		1				
044	326847-7	RING 5		1				
045	265910-0	HEX. SOCKET HEAD BOLT M3X12		2				
046	144219-2	INNER SUPPORT COMPLETE		1				
047	213092-2	O-RING 60		1				

Model No. HR166D 16MM CORDLESS ROTARY HAMMER

Item	Parts No.	Description	I/C	Qty	N/O	Opt. 1	Opt. 2	Note
048	443138-2	FILTER		1				
049	319508-6	INNER HOUSING		1				
050	265995-6	TAPPING SCREW 4X18		4				
051	232345-0	CONICAL COMP. SPRING 8-19		1				
052	213008-7	O RING 22.4		1				
053	619421-1	ROTOR		1				
059	629244-9	STATOR		1				
060	266490-9	TAPPING SCREW PT 2X6		3				
061	183G09-0	MOTOR CASE SET		1				
D10		INC. 62						
062	183G09-0	MOTOR CASE SET		1				
D10		INC. 61						
063	251510-2	H. S. HEAD BOLT M3X12 WITH WRM		4				
064	266130-9	TAPPING SCREW BIND PT 3X16		4				
065	183G15-5	HOUSING SET		1				
C10	262182-8	RUBBER RING 6		2				
C20	263002-9	RUBBER PIN 4		2				
C30	252126-6	HEX. LOCKING NUT M4-7		2				
D10		INC. 66						
066	183G15-5	HOUSING SET		1				
C10	262182-8	RUBBER RING 6		2				
C20	263002-9	RUBBER PIN 4		2				
C30	252126-6	HEX. LOCKING NUT M4-7		2				
D10		INC. 65						
067	266130-9	TAPPING SCREW BIND PT 3X16		9				
068	853A89-1	HR166D NAME PLATE		1				
069	853A95-6	HR166D SERIAL NO. LABEL		1				
070	457210-4	F/R CHANGE LEVER		1				
071	650689-0	SWITCH C3JW-2B		1				
072	644813-5	TERMINAL		1				
073	620578-3	CONTROLLER		1				
D10		INC. 74						
074	620553-9	LED CIRCUIT		1				
A01	415486-9	DEPTH GAUGE		1				
A02B	456128-6	BATTERY COVER		1				
A03B	***DC10SA	DC10SA BATTERY CHARGER		1				
D10		COMPO-PARTS						
A04B	197402-0	BATTERY BL1040B SET		2				
A05B	821550-0	CONNECTOR PLASTIC CASE (TYPE2)		1				
C10	453974-8	LATCH		4				
A06B	838683-4	INNER FITMENT		1				
A07B	812K54-9	HR166DSMJ INDICATION LABEL		1				
A08B	812K55-7	HR166DSMJ PLASTIC CASE LABEL		2				
A09B	835121-7	SPONGE 60-80		1				