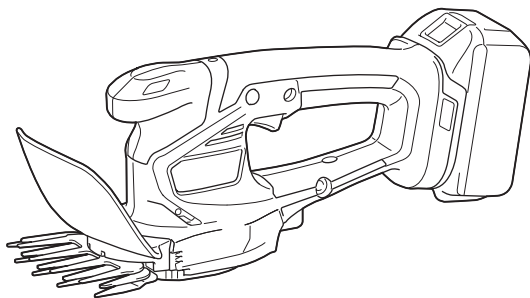




EN	Cordless Grass Shear	INSTRUCTION MANUAL	10
SV	Batteridriven kantsax	BRUKSANVISNING	20
NO	Batteridrevet gressaks	BRUKSANVISNING	30
FI	Akkukäyttöinen nurmikon reunaleikkuri	KÄYTTÖOHJE	40
DA	Akku græsklipper	BRUGSANVISNING	50
LV	Bezvada zāles šķēres	LIETOŠANAS INSTRUKCIJA	60
LT	Akumuliatorinė žoliapjovė	NAUDOJIMO INSTRUKCIJA	70
ET	Juhtmeta murulõikur	KASUTUSJUHEND	80
RU	Аккумуляторные ножницы для травы	РУКОВОДСТВО ПО ЭКСПЛУАТАЦИИ	90

DUM111



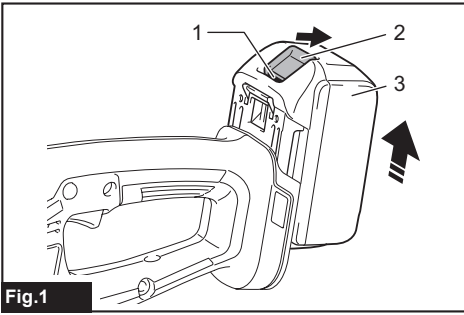


Fig.1

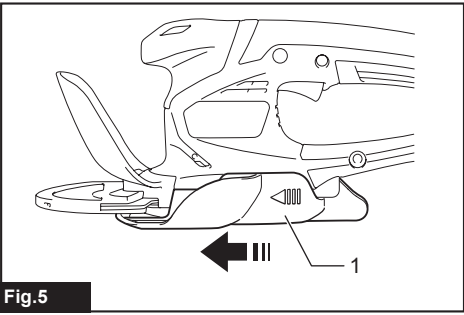


Fig.5

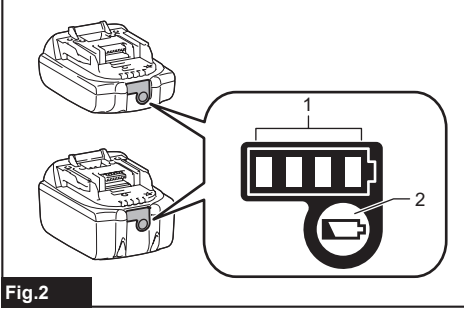


Fig.2

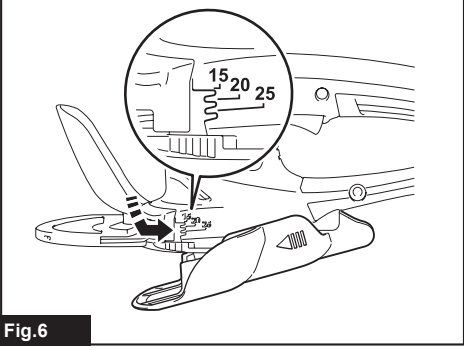


Fig.6

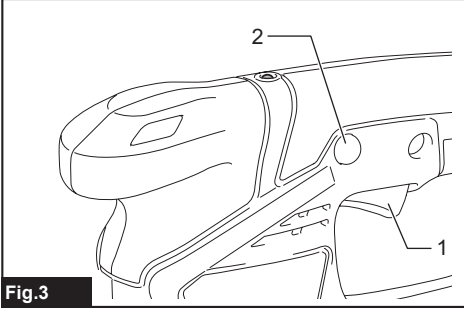


Fig.3

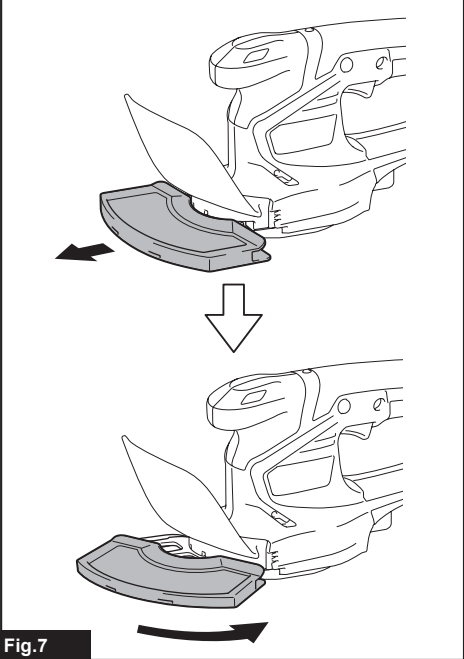


Fig.7

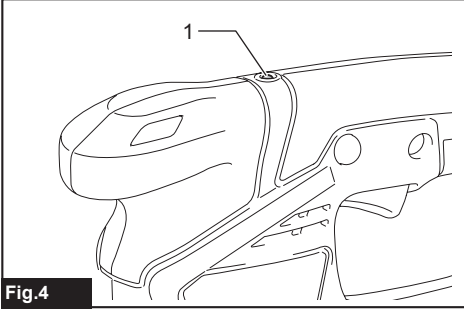
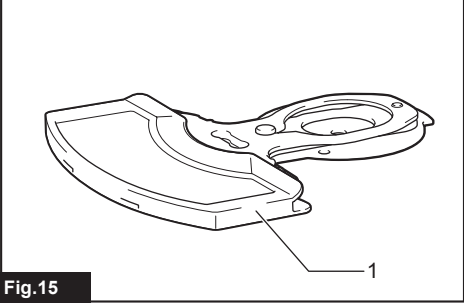
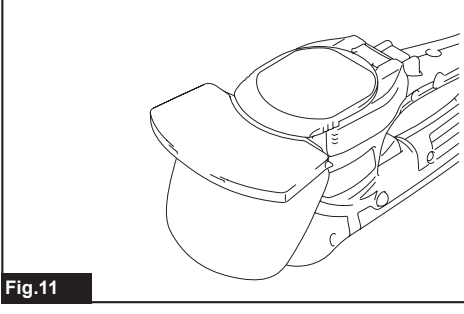
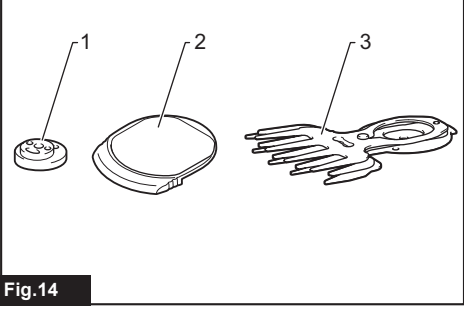
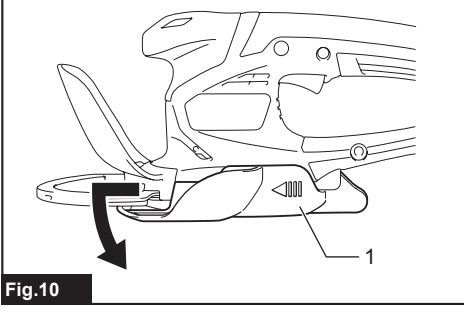
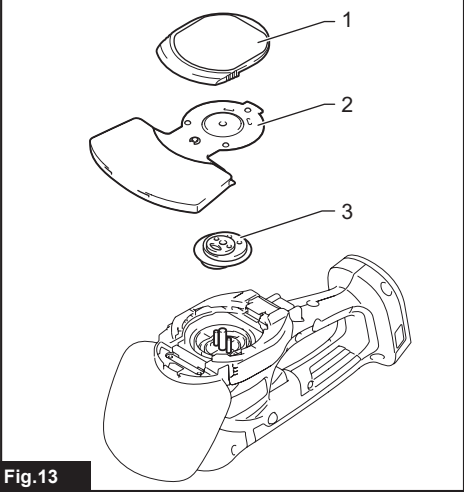
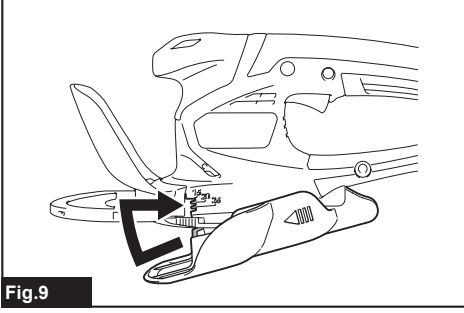
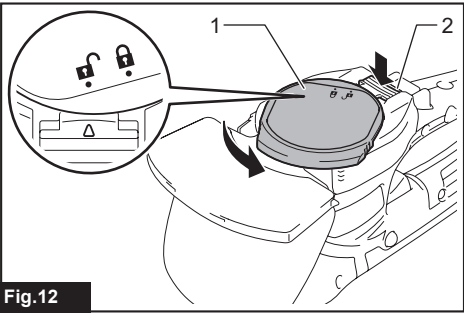
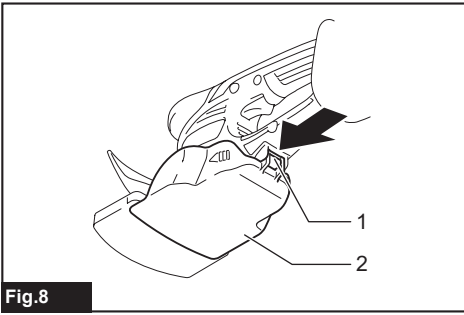


Fig.4



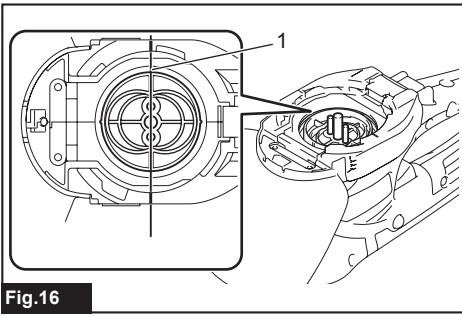


Fig.16

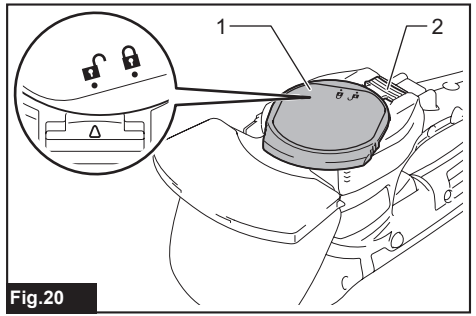


Fig.20

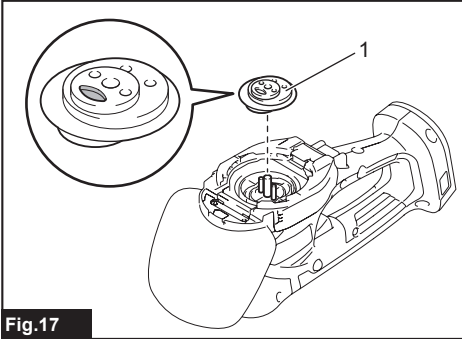


Fig.17

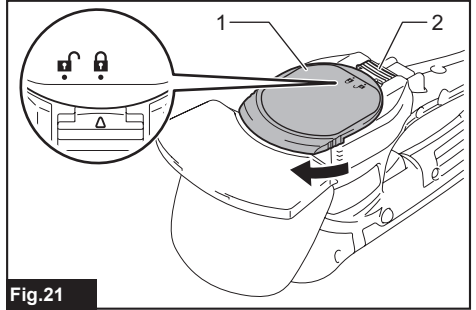


Fig.21

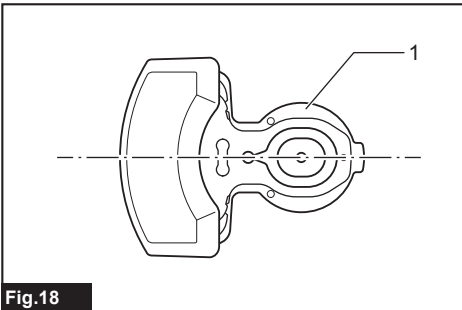


Fig.18

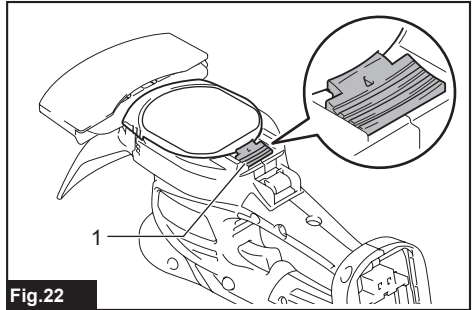


Fig.22

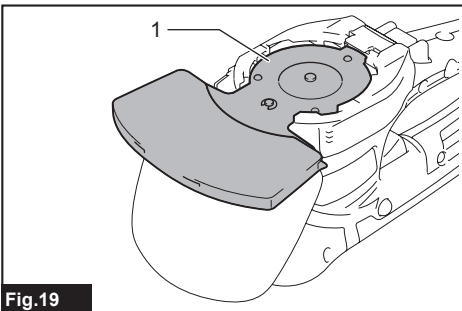


Fig.19

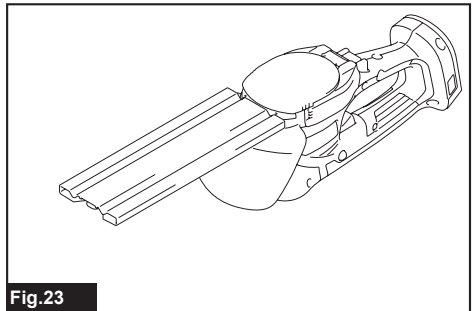


Fig.23

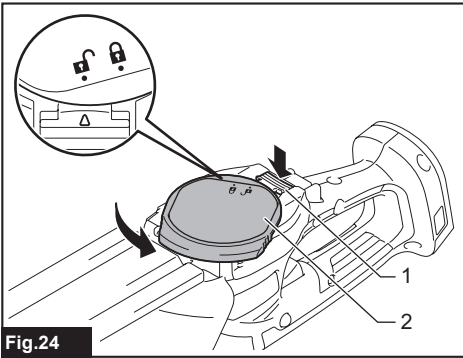


Fig. 24

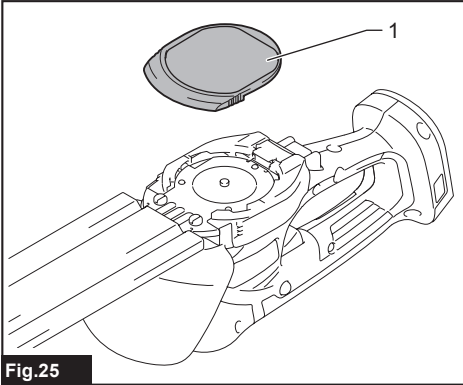


Fig. 25

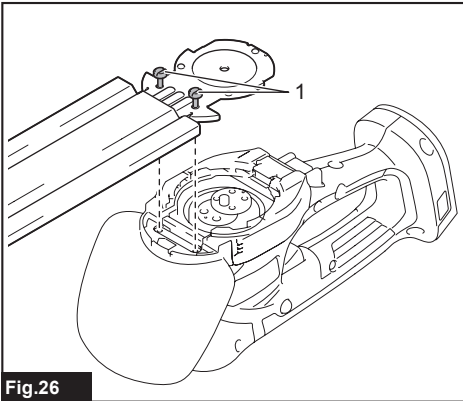


Fig. 26

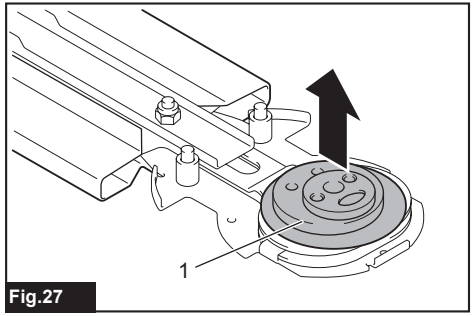


Fig. 27

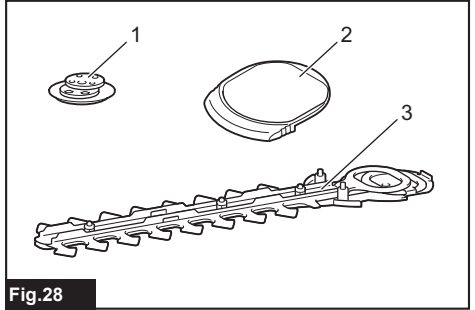


Fig. 28

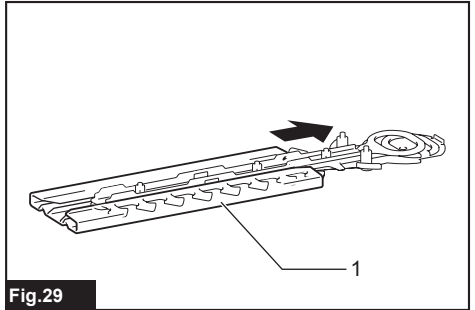


Fig. 29

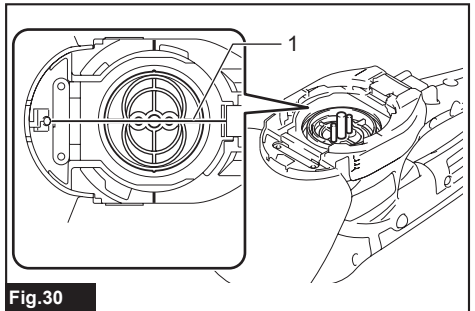


Fig. 30

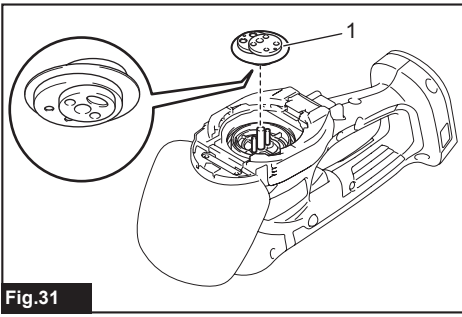


Fig.31

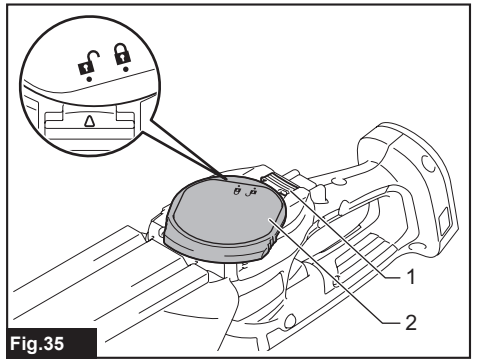


Fig.35

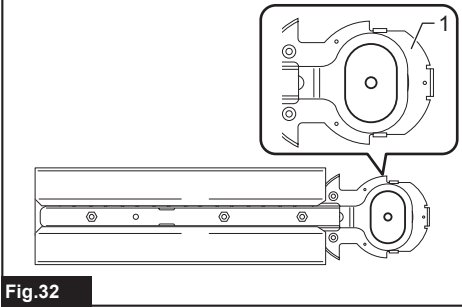


Fig.32

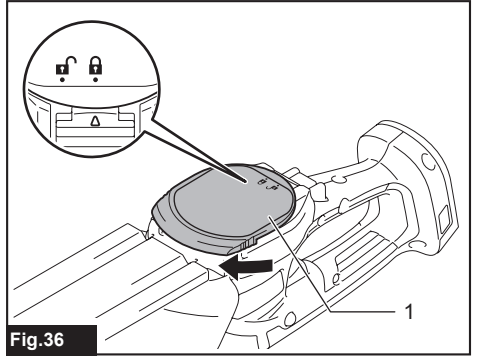


Fig.36

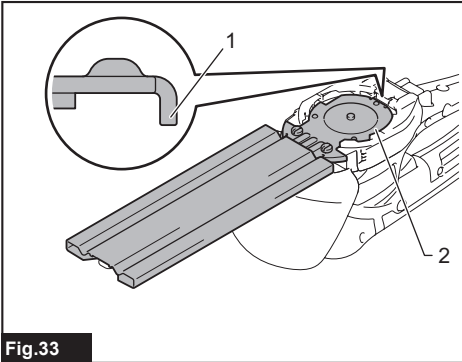


Fig.33

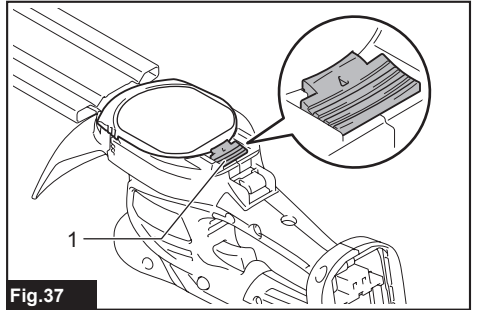


Fig.37

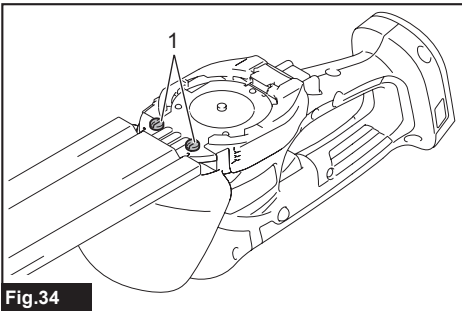


Fig.34

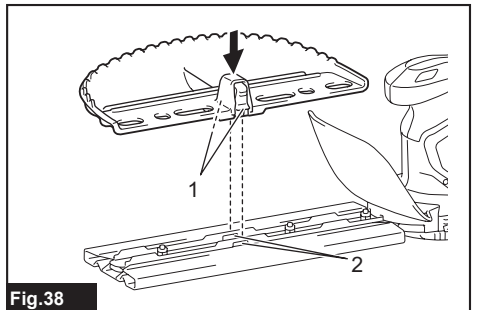
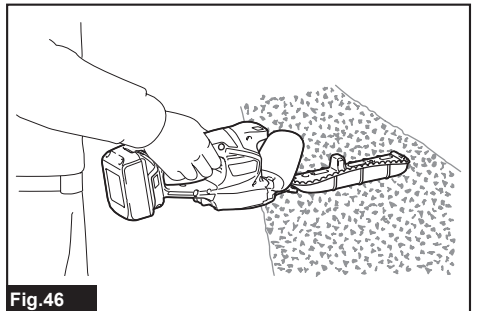
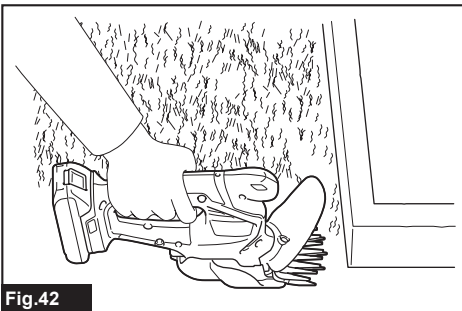
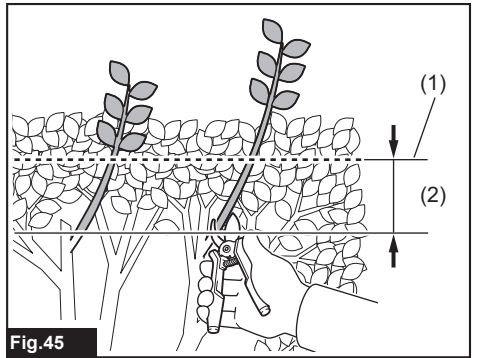
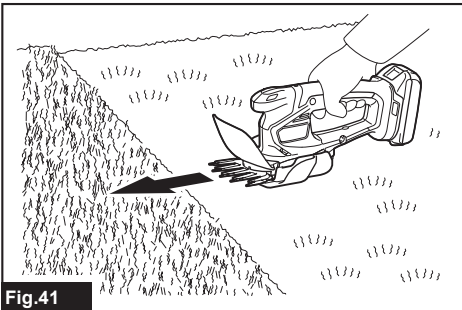
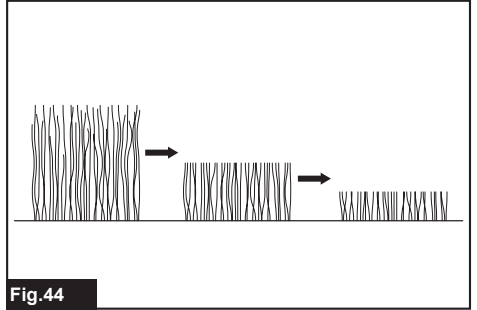
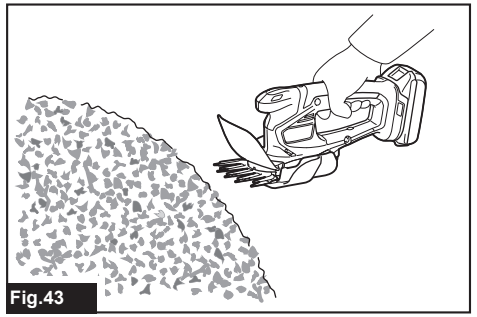
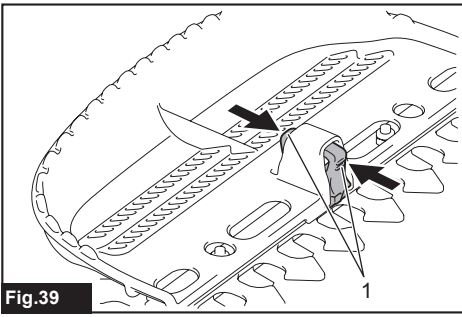


Fig.38



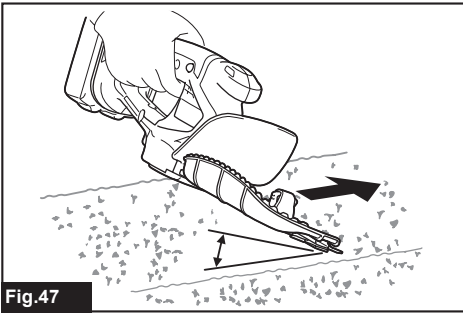


Fig.47

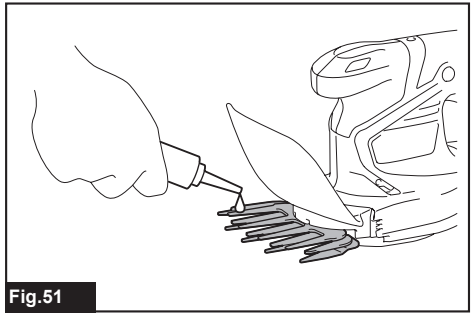


Fig.51

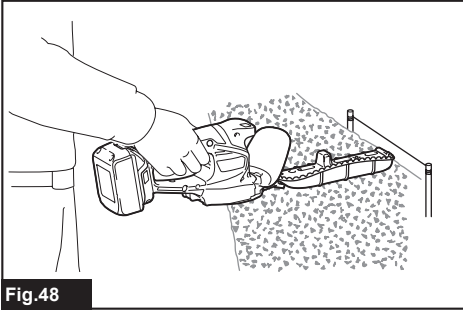


Fig.48

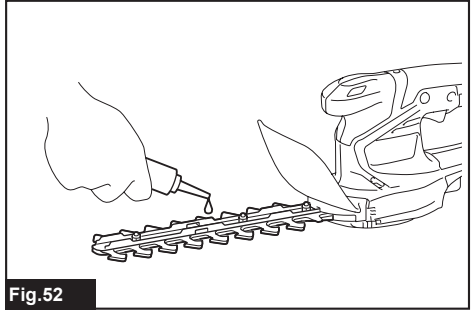


Fig.52

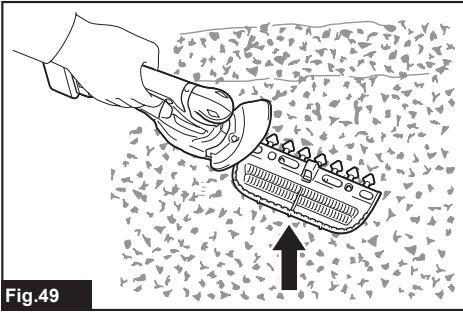


Fig.49

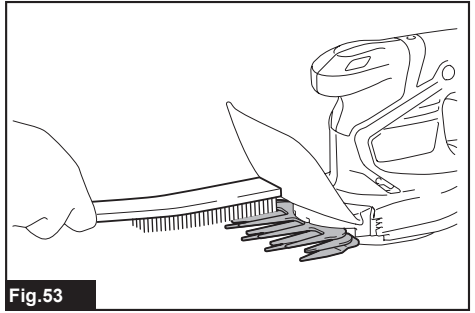


Fig.53

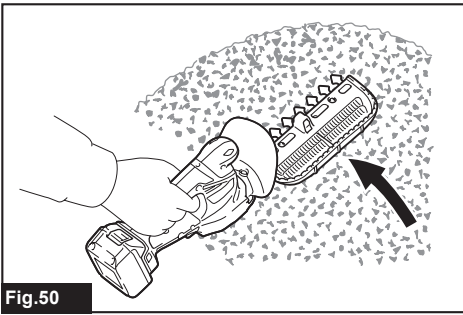


Fig.50

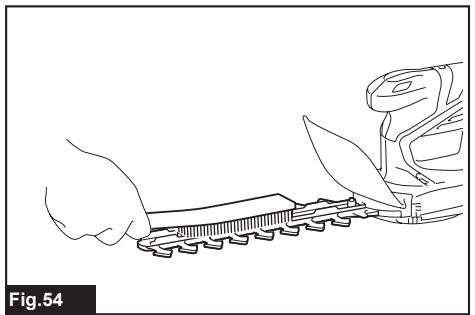


Fig.54

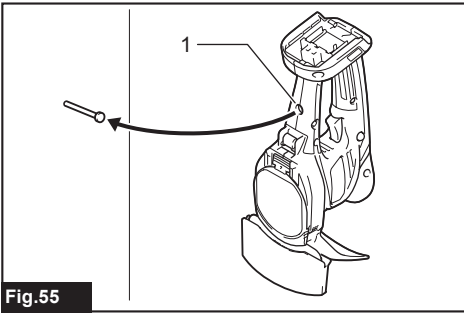


Fig.55

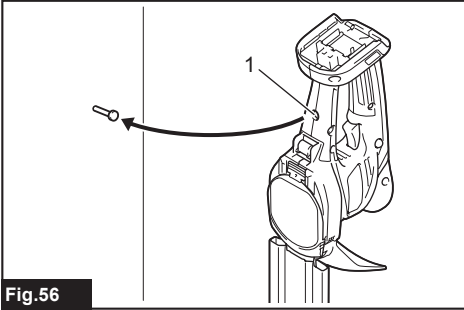


Fig.56

SPECIFICATIONS

Model:		DUM111
Cutting width		110 mm
Strokes per minute		2,500 min ⁻¹
Part number of replacement shear blades	Grass shear	191N23-4, 195267-4
	Hedge trimmer	191N24-2, 198408-1
Dimensions (L x W x H)		330 mm x 120 mm x 130 mm
Rated voltage		D.C. 18 V
Net weight		1.4 kg - 1.8 kg

- Due to our continuing program of research and development, the specifications herein are subject to change without notice.
- Specifications and battery cartridge may differ from country to country.
- The weight may differ depending on the attachment(s), including the battery cartridge. The lightest and heaviest combinations, according to EPTA-Procedure 01/2014, are shown in the table.

Applicable battery cartridge and charger

Battery cartridge	BL1815N / BL1820B / BL1830B / BL1840B / BL1850B / BL1860B
Charger	DC18RC / DC18RD / DC18RE / DC18SD / DC18SE / DC18SF / DC18SH

- Some of the battery cartridges and chargers listed above may not be available depending on your region of residence.

⚠WARNING: Only use the battery cartridges and chargers listed above. Use of any other battery cartridges and chargers may cause injury and/or fire.

Recommended cord connected power source

Portable power pack	PDC01
---------------------	-------

- The cord connected power source(s) listed above may not be available depending on your region of residence.
- Before using the cord connected power source, read instruction and cautionary markings on them.

Symbols

The followings show the symbols which may be used for the equipment. Be sure that you understand their meaning before use.

	Take particular care and attention.
	Read instruction manual.
	Danger; be aware of thrown objects.
	Keep bystanders away.
	Cutting means continues to run after the motor is switched off.
	Do not expose to moisture.
	Wear safety glasses.

	DANGER - Keep hands away from blade.
	Only for EU countries Due to the presence of hazardous components in the equipment, waste electrical and electronic equipment, accumulators and batteries may have a negative impact on the environment and human health. Do not dispose of electrical and electronic appliances or batteries with household waste! In accordance with the European Directive on waste electrical and electronic equipment and on accumulators and batteries and waste accumulators and batteries, as well as their adaptation to national law, waste electrical equipment, batteries and accumulators should be stored separately and delivered to a separate collection point for municipal waste, operating in accordance with the regulations on environmental protection. This is indicated by the symbol of the crossed-out wheeled bin placed on the equipment.
	Guaranteed sound power level according to EU Outdoor Noise Directive.
	Sound power level according to Australia NSW Noise Control Regulation

Intended use

The tool is intended for cutting lawn edges or sprouts.

Noise

The typical A-weighted noise level determined according to EN50636-2-94:

DUM111 with shear blade for grass shear installed

Sound pressure level (L_{pA}): 70 dB(A)

Uncertainty (K): 1.5 dB(A)

The noise level under working may exceed 80 dB (A).

The typical A-weighted noise level determined according to EN62841-4-2:

DUM111 with shear blade for hedge trimmer installed

Sound pressure level (L_{pA}): 70 dB(A)

Uncertainty (K): 3 dB(A)

The noise level under working may exceed 80 dB (A).

NOTE: The declared noise emission value(s) has been measured in accordance with a standard test method and may be used for comparing one tool with another.

NOTE: The declared noise emission value(s) may also be used in a preliminary assessment of exposure.

⚠ WARNING: Wear ear protection.

⚠ WARNING: The noise emission during actual use of the power tool can differ from the declared value(s) depending on the ways in which the tool is used especially what kind of workpiece is processed.

⚠ WARNING: Be sure to identify safety measures to protect the operator that are based on an estimation of exposure in the actual conditions of use (taking account of all parts of the operating cycle such as the times when the tool is switched off and when it is running idle in addition to the trigger time).

Vibration

The vibration total value (tri-axial vector sum) determined according to EN50636-2-94:

DUM111 with shear blade for grass shear installed

Vibration emission (a_n): 2.5 m/s² or less

Uncertainty (K): 1.5 m/s²

The vibration total value (tri-axial vector sum) determined according to EN62841-4-2:

DUM111 with shear blade for hedge trimmer installed

Vibration emission (a_n): 2.5 m/s² or less

Uncertainty (K): 1.5 m/s²

NOTE: The declared vibration total value(s) has been measured in accordance with a standard test method and may be used for comparing one tool with another.

NOTE: The declared vibration total value(s) may also be used in a preliminary assessment of exposure.

⚠ WARNING: The vibration emission during actual use of the power tool can differ from the declared value(s) depending on the ways in which the tool is used especially what kind of workpiece is processed.

⚠ WARNING: Be sure to identify safety measures to protect the operator that are based on an estimation of exposure in the actual conditions of use (taking account of all parts of the operating cycle such as the times when the tool is switched off and when it is running idle in addition to the trigger time).

EC Declaration of Conformity

For European countries only

The EC declaration of conformity is included as Annex A to this instruction manual.

SAFETY WARNINGS

General power tool safety warnings

⚠ WARNING: Read all safety warnings, instructions, illustrations and specifications provided with this power tool. Failure to follow all instructions listed below may result in electric shock, fire and/or serious injury.

Save all warnings and instructions for future reference.

The term "power tool" in the warnings refers to your mains-operated (corded) power tool or battery-operated (cordless) power tool.

Cordless Grass Shear Safety Warnings

General instructions

1. To ensure correct operation, user has to read this instruction manual to make himself familiar with the handling of the equipment. Users insufficiently informed will risk danger to themselves as well as others due to improper handling.
2. Never allow children, persons with reduced physical, sensory or mental capabilities or lack of experience and knowledge or people unfamiliar with these instructions to use the machine, local regulations may restrict the age of the operator.
3. Use the equipment with the utmost care and attention.
4. Operate the equipment only if you are in good physical condition. Perform all work calmly and carefully. Use common sense and keep in mind that the operator or user is responsible for accidents or hazards occurring to other people or their property.
5. Never operate the machine while people, especially children, or pets are nearby.

6. The motor is to be switched off immediately in case that the equipment shows any problem or abnormal sign.
7. Switch off and remove the battery cartridge when resting and when leaving the equipment unattended, and place it in a safe location to prevent danger to others or damage to the equipment.
8. Avoid using the machine in bad weather conditions especially when there is a risk of lightning.
8. Inspect the cutting tool at short regular intervals for damage (detection of hairline cracks by means of tapping-noise test).
9. Before commencing cutting, the cutting tool must have reached full working speed.
10. The cutting tool has to be equipped with the appropriate guard. Never run the equipment with damaged guards or without guards in place!
11. All protective installations and guards supplied with the equipment must be used during operation.

Personal protective equipment

1. Wear eye protection and stout shoes at all times while operating the machine.
2. Always wear substantial footwear and long trousers while operating the machine.

Starting up the equipment

1. Make sure that there are no children or other people nearby, also pay attention to any animals in the working vicinity. Otherwise stop using the equipment.
2. Before use always check that the equipment is safe for operation. Check the security of the cutting tool and the guard and the switch trigger/lever for easy and proper action. Check for clean and dry handles and test the function of the start/stop.
3. Check damaged parts before further use of the equipment. A guard or other part that is damaged should be carefully checked to determine that it will operate properly and perform its intended function. Check for alignment of moving parts, binding of moving parts, breakage of parts, mounting, and any other condition that may affect its operation. A guard or other part that is damaged should be properly repaired or replaced by our authorized service center unless indicated elsewhere in this manual.
4. Switch on the motor only when the hands and feet are away from the cutting tool.
5. Before starting make sure that the cutting tool has no contact with any objects.
11. Always remove the battery cartridge from the equipment:
 - whenever leaving the equipment unattended;
 - before clearing a blockage;
 - before checking, cleaning or working on the equipment;
 - after striking a foreign object;
 - whenever the equipment starts vibrating abnormally.
12. Always ensure that the ventilation openings are kept clear of debris.
13. Cutting means continues to run after the motor is switched off.
14. If the blades stop moving due to the stuck of foreign objects between the blades during operation, switch off the tool and remove the battery cartridge, and then remove the foreign objects using tools such as pliers. Removing the foreign objects by hand may cause an injury for the reason that the blades may move in reaction to removing the foreign objects.

Cutting Tools

Employ only the correct cutting tool for the job in hand.

Maintenance instructions

1. The condition of the equipment, in particular of the cutting tool of the protective devices must be checked before commencing work.
2. Turn off the motor and remove the battery cartridge before carrying out maintenance, replacing cutting tools or cleaning the equipment or cutting tool.
3. When not in use, store the equipment indoors in dry and high or locked-up place - out of the reach of children. Clean and maintain before storage.

Method of operation

1. Only use the equipment in good light and visibility. During the winter season beware of slippery or wet areas, ice and snow (risk of slipping). Always ensure a safe footing on slopes and be sure to walk and never run.
2. Take care against injury to feet and hands from the cutting tool.
3. Never stand on a ladder and run the equipment.
4. Never climb up into trees to perform cutting operation with the equipment.
5. Never work on unstable surfaces.
6. Remove sand, stones, nails etc. found within the working range. Foreign particles may damage the cutting tool and can cause dangerous kick-backs.
7. Should the cutting tool hit stones or other hard objects, immediately switch off the motor and inspect the cutting tool.

SAVE THESE INSTRUCTIONS.

⚠WARNING: DO NOT let comfort or familiarity with product (gained from repeated use) replace strict adherence to safety rules for the subject product. MISUSE or failure to follow the safety rules stated in this instruction manual may cause serious personal injury.

Cordless Hedge Trimmer Safety Warnings

1. **Keep all parts of the body away from the blade. Do not remove cut material or hold material to be cut when blades are moving.** Blades continue to move after the switch is turned off. A moment of inattention while operating the hedge trimmer may result in serious personal injury.
2. **Carry the hedge trimmer by the handle with the blade stopped and taking care not to operate any power switch.** Proper carrying of the hedge trimmer will decrease the risk of inadvertent starting and resultant personal injury from the blades.
3. **When transporting or storing the hedge trimmer, always fit the blade cover.** Proper handling of the hedge trimmer will decrease the risk of personal injury from the blades.
4. **When clearing jammed material or servicing the unit, make sure all power switches are off and the battery pack is removed or disconnected.** Unexpected actuation of the hedge trimmer while clearing jammed material or servicing may result in serious personal injury.
5. **Hold the hedge trimmer by insulated gripping surfaces only, because the blade may contact hidden wiring.** Blades contacting a "live" wire may make exposed metal parts of the hedge trimmer "live" and could give the operator an electric shock.
6. **Keep all power cords and cables away from cutting area.** Power cords or cables may be hidden in hedges or bushes and can be accidentally cut by the blade.
7. **Do not use the hedge trimmer in bad weather conditions, especially when there is a risk of lightning.** This decreases the risk of being struck by lightning.

Additional Safety Instructions

Preparation

1. **Check the hedges and bushes for foreign objects, such as wire fences or hidden wiring before operating the tool.**
2. **The tool must not be used by children or young persons under 18 years of age.** Young persons over 16 years of age may be exempted from this restriction if they are undergoing training under the supervision of an expert.
3. **First-time users should have an experienced user show them how to use the tool.**
4. **Use the tool only if you are in good physical condition.** If you are tired, your attention will be reduced. Be especially careful at the end of a working day. Perform all work calmly and carefully. The user is responsible for all damages to third parties.
5. **Never use the tool when under the influence of alcohol, drugs or medication.**
6. **Work gloves of stout leather are part of the basic equipment of the tool and must always be worn when working with it. Also wear sturdy shoes with anti-skid soles.**

7. **Before starting work check to make sure that the tool is in good and safe working order. Ensure guards are fitted properly. The tool must not be used unless fully assembled.**

Operation

1. **Hold the tool firmly when using the tool.**
2. **The tool is intended to be used by the operator at ground level. Do not use the tool on ladders or any other unstable support.**
3. **Do not simultaneously wear multiple belt harnesses and/or shoulder harnesses when operating the tool.**
4. **DANGER - Keep hands away from blade.** Contact with blade will result in serious personal injury.
5. **Do not use the tool in the rain or in wet or very damp conditions.** The electric motor is not waterproof.
6. **Make sure you have a secure footing before starting operation.**
7. **Do not operate the tool at no-load unnecessarily.**
8. **Immediately switch off the tool and remove the battery cartridge if the shear blades should come into contact with a fence or other hard object. Check the blades for damage, and if damaged, replace the blades immediately.**
9. **Before checking the shear blades, taking care of faults, or removing material caught in the shear blades, always switch off the tool and remove the battery cartridge.**
10. **Never point the shear blades to yourself or others.**
11. **If the blades stop moving due to the stuck of foreign objects between the blades during operation, switch off the tool and remove the battery cartridge, and then remove the foreign objects using tools such as pliers.** Removing the foreign objects by hand may cause an injury for the reason that the blades may move in reaction to removing the foreign objects.
12. **Avoid dangerous environment. Don't use the tool in damp or wet locations or expose it to rain. Water entering the tool will increase the risk of electric shock.**

Maintenance and storage

1. **Switch off the tool and remove the battery cartridge before doing any maintenance work.**
2. **When moving the tool to another location, including during work, always remove the battery cartridge and put the blade cover on the shear blades. Never carry or transport the tool with the blades running. Never grasp the blades with your hands.**
3. **Clean the tool and especially the shear blades after use, and before putting the tool into storage for extended periods. Lightly oil the blades and put on the blade cover.**
4. **Store the tool with the blade cover on, in a dry room. Keep it out of reach of children. Never store the tool outdoors.**
5. **Do not dispose of the battery(ies) in a fire. The cell may explode. Check with local codes for possible special disposal instructions.**

6. Do not open or mutilate the battery(ies). Released electrolyte is corrosive and may cause damage to the eyes or skin. It may be toxic if swallowed.
7. Do not charge battery in rain, or in wet locations.

SAVE THESE INSTRUCTIONS.

⚠WARNING: DO NOT let comfort or familiarity with product (gained from repeated use) replace strict adherence to safety rules for the subject product. MISUSE or failure to follow the safety rules stated in this instruction manual may cause serious personal injury.

Important safety instructions for battery cartridge

1. Before using battery cartridge, read all instructions and cautionary markings on (1) battery charger, (2) battery, and (3) product using battery.
2. Do not disassemble or tamper with the battery cartridge. It may result in a fire, excessive heat, or explosion.
3. If operating time has become excessively shorter, stop operating immediately. It may result in a risk of overheating, possible burns and even an explosion.
4. If electrolyte gets into your eyes, rinse them out with clear water and seek medical attention right away. It may result in loss of your eyesight.
5. Do not short the battery cartridge:
 - (1) Do not touch the terminals with any conductive material.
 - (2) Avoid storing battery cartridge in a container with other metal objects such as nails, coins, etc.
 - (3) Do not expose battery cartridge to water or rain.

A battery short can cause a large current flow, overheating, possible burns and even a breakdown.

6. Do not store and use the tool and battery cartridge in locations where the temperature may reach or exceed 50 °C (122 °F).
7. Do not incinerate the battery cartridge even if it is severely damaged or is completely worn out. The battery cartridge can explode in a fire.
8. Do not nail, cut, crush, throw, drop the battery cartridge, or hit against a hard object to the battery cartridge. Such conduct may result in a fire, excessive heat, or explosion.
9. Do not use a damaged battery.
10. The contained lithium-ion batteries are subject to the Dangerous Goods Legislation requirements. For commercial transports e.g. by third parties, forwarding agents, special requirement on packaging and labeling must be observed. For preparation of the item being shipped, consulting an expert for hazardous material is required. Please also observe possibly more detailed national regulations. Tape or mask off open contacts and pack up the battery in such a manner that it cannot move around in the packaging.

11. When disposing the battery cartridge, remove it from the tool and dispose of it in a safe place. Follow your local regulations relating to disposal of battery.
12. Use the batteries only with the products specified by Makita. Installing the batteries to non-compliant products may result in a fire, excessive heat, explosion, or leak of electrolyte.
13. If the tool is not used for a long period of time, the battery must be removed from the tool.
14. During and after use, the battery cartridge may take on heat which can cause burns or low temperature burns. Pay attention to the handling of hot battery cartridges.
15. Do not touch the terminal of the tool immediately after use as it may get hot enough to cause burns.
16. Do not allow chips, dust, or soil stuck into the terminals, holes, and grooves of the battery cartridge. It may result in poor performance or breakdown of the tool or battery cartridge.
17. Unless the tool supports the use near high-voltage electrical power lines, do not use the battery cartridge near high-voltage electrical power lines. It may result in a malfunction or breakdown of the tool or battery cartridge.
18. Keep the battery away from children.

SAVE THESE INSTRUCTIONS.

⚠CAUTION: Only use genuine Makita batteries. Use of non-genuine Makita batteries, or batteries that have been altered, may result in the battery bursting causing fires, personal injury and damage. It will also void the Makita warranty for the Makita tool and charger.

Tips for maintaining maximum battery life

1. Charge the battery cartridge before completely discharged. Always stop tool operation and charge the battery cartridge when you notice less tool power.
2. Never recharge a fully charged battery cartridge. Overcharging shortens the battery service life.
3. Charge the battery cartridge with room temperature at 10 °C - 40 °C (50 °F - 104 °F). Let a hot battery cartridge cool down before charging it.
4. When not using the battery cartridge, remove it from the tool or the charger.
5. Charge the battery cartridge if you do not use it for a long period (more than six months).

FUNCTIONAL DESCRIPTION

CAUTION: Always be sure that the tool is switched off and the battery cartridge is removed before adjusting or checking function on the tool.

Using the tool as cordless hedge trimmer

This tool can be used as a cordless hedge trimmer by installing the shear blades for hedge trimmer.

Installing or removing battery cartridge

CAUTION: Always switch off the tool before installing or removing of the battery cartridge.

CAUTION: Hold the tool and the battery cartridge firmly when installing or removing battery cartridge. Failure to hold the tool and the battery cartridge firmly may cause them to slip off your hands and result in damage to the tool and battery cartridge and a personal injury.

► Fig.1: 1. Red indicator 2. Button 3. Battery cartridge

To remove the battery cartridge, slide it from the tool while sliding the button on the front of the cartridge.

To install the battery cartridge, align the tongue on the battery cartridge with the groove in the housing and slip it into place. Insert it all the way until it locks in place with a little click. If you can see the red indicator as shown in the figure, it is not locked completely.

CAUTION: Always install the battery cartridge fully until the red indicator cannot be seen. If not, it may accidentally fall out of the tool, causing injury to you or someone around you.

CAUTION: Do not install the battery cartridge forcibly. If the cartridge does not slide in easily, it is not being inserted correctly.

Indicating the remaining battery capacity

Only for battery cartridges with the indicator

► Fig.2: 1. Indicator lamps 2. Check button

Press the check button on the battery cartridge to indicate the remaining battery capacity. The indicator lamps light up for a few seconds.

Indicator lamps			Remaining capacity
Lighted	Off	Blinking	
■	□	◐	75% to 100%
■ ■ ■ ■			
■ ■ ■	□		50% to 75%
■ ■	□ □		25% to 50%
■	□ □ □		0% to 25%
◐	□ □ □		Charge the battery.

Indicator lamps			Remaining capacity
Lighted	Off	Blinking	
■	□	◐	The battery may have malfunctioned.
■ ■ □ □			
□ □	■ ■		

NOTE: Depending on the conditions of use and the ambient temperature, the indication may differ slightly from the actual capacity.

NOTE: The first (far left) indicator lamp will blink when the battery protection system works.

Tool / battery protection system

The tool is equipped with a tool/battery protection system. This system automatically cuts off power to the motor to extend tool and battery life. The tool will automatically stop during operation if the tool or battery is placed under one of the following conditions:

Overload protection

When the battery is operated in a manner that causes it to draw an abnormally high current, the tool automatically stops. In this situation, turn the tool off and stop the application that caused the tool to become overloaded. Then turn the tool on to restart.

Overheat protection

When the battery is overheated, the tool stops automatically. In this case, let the tool and battery cool before turning the tool on again.

Overdischarge protection

When the battery capacity is not enough, the tool stops automatically. In this case, remove the battery from the tool and charge the battery.

Switch action

WARNING: Before installing the battery cartridge into the tool, always check to see that the switch trigger actuates properly and returns to the "OFF" position when released.

WARNING: For your safety, this tool is equipped with the lock-off button which prevents the tool from unintended starting. Never use the tool if it starts when you pull the switch trigger without pressing the lock-off button. Ask your local Makita Service Center for repairs.

WARNING: Never disable the lock function or tape down the lock-off button.

NOTICE: Do not pull the switch trigger forcibly without pressing the lock-off button. The switch may break.

► Fig.3: 1. Switch trigger 2. Lock-off button

To prevent the switch trigger from being accidentally pulled, a lock-off button is provided.

To start the tool, press the lock-off button and pull the switch trigger. Release the switch trigger to stop. The lock-off button can be pressed from either the right or left side.

Indicator lamp

The indicator lamp blinks or lights up when the remaining battery capacity is low or empty. The indicator lamp also lights up when the tool becomes overloaded.

► **Fig.4:** 1. Indicator lamp

Lamp status and action to be taken

Indicator lamp	Status	Action to be taken
The lamp blinks red.	The remaining battery capacity is low.	Charge the battery.
The lamp lights up red. *	The tool has stopped because the remaining battery capacity is empty.	Charge the battery.
	The tool has stopped due to overload.	Turn off the tool.

* The time at which the indicator lamp lights up varies depending on the temperature around the work area and the battery cartridge conditions.

Adjusting the shearing height (for grass shear)

Optional accessory

CAUTION: When changing the shearing height, be sure to attach the blade cover and be careful not to trap fingers between the tool and grass receiver.

The shearing height can be set to three levels (15 mm, 20 mm, and 25 mm) by changing the fixed position of the grass receiver. The shearing height without the grass receiver is about 10 mm.

1. Slide the grass receiver toward the front of the tool.

► **Fig.5:** 1. Grass receiver

2. Change the fixed position of the grass receiver by moving it in the direction of the arrow.

► **Fig.6**

NOTE: The shearing height value is a guideline. The actual shearing height may vary depending on the condition of the lawn or the ground.

NOTE: Try a test shearing in a less conspicuous place to get your desired height.

ASSEMBLY

CAUTION: Always be sure that the tool is switched off and the battery cartridge is removed before carrying out any work on the tool.

CAUTION: When replacing the shear blades, always wear gloves and attach the blade cover so that your hands and face do not directly contact the blades.

NOTICE: When replacing the shear blades, do not wipe off grease from the gear and crank.

Installing or removing the blade cover

CAUTION: Be careful not to touch the blades when installing or removing the blade cover.

To remove the blade cover, pull it slightly, and then slide it sideways. To install the blade cover, perform the steps in reverse.

► **Fig.7**

Installing or removing the grass receiver

Optional accessory

CAUTION: When installing or removing the grass receiver, be sure to attach the blade cover and be careful not to trap your fingers between the tool and grass receiver.

Installing the grass receiver

1. Hook the hinge of the grass receiver on the groove of the tool.

► **Fig.8:** 1. Hinge 2. Grass receiver

2. Align the protrusions on the grass receiver with the grooves on the tool by sliding the grass receiver toward the front of the tool and moving it in the direction of the arrow.

► **Fig.9**

NOTICE: Do not attach the hinge of the grass receiver to the tool forcibly after aligning the protrusions on the grass receiver with the grooves on the tool.

Removing the grass receiver

1. Release the protrusions on the grass receiver from the grooves on the tool while sliding the grass receiver toward the front of the tool.

► **Fig.10:** 1. Grass receiver

2. Release the hinge of the grass receiver from the tool.



Installing or removing the shear blades for grass shear

NOTICE: If the parts other than the shear blades such as the crank are worn out, ask Makita Authorized Service Centers for parts replacement or repairs.

Removing the shear blades

1. Remove the grass receiver if it's installed. Place the tool upside down.

► **Fig.11**

2. While pressing the lock lever, turn the undercover counterclockwise until  on the undercover is aligned with  on the lock lever.

► **Fig.12:** 1. Undercover 2. Lock lever

3. Remove the undercover, shear blades, and crank.

► **Fig.13:** 1. Undercover 2. Shear blades 3. Crank

Installing the shear blades

1. Prepare the crank, undercover, and new shear blades.

► **Fig.14:** 1. Crank 2. Undercover 3. Shear blades

2. Remove the blade cover from the old shear blades, and then attach it to the new ones.

► **Fig.15:** 1. Blade cover

3. Adjust the three pins so that they are lined up on the alignment line.

► **Fig.16:** 1. Alignment line

4. Apply a small amount of grease to the periphery of the crank. Attach the crank to the pins with the small and large rounds facing up.

► **Fig.17:** 1. Crank



5. Adjust the blades and guide plate so that the hole in the guide plate and the two protrusions on the blades are lined up.

► **Fig.18:** 1. Guide plate



6. Turn the shear blades upside down and install them so that the pins on the tool fit in the hole on the guide plate. Make sure that the shear blades are fixed securely in place.

► **Fig.19:** 1. Guide plate

NOTE: Sliding the blade cover forward slightly makes it easier to install the shear blades.

7. Place the undercover so that  on the undercover is aligned with  on the lock lever.

► **Fig.20:** 1. Undercover 2. Lock lever

8. While pressing the undercover, turn the undercover clockwise until  on the undercover is aligned with  on the lock lever.

► **Fig.21:** 1. Undercover 2. Lock lever

9. Make sure that the lock lever fits in the groove on the undercover.

► **Fig.22:** 1. Lock lever

CAUTION: Never use the tool without installing the undercover.

10. Remove the blade cover, and then turn on the tool to check that it works properly.

NOTICE: If the shear blades do not operate properly, the blades are not engaging the crank properly. Remove the blades and install them again.

Installing or removing shear blades for hedge trimmer



CAUTION: Attach the blade cover before removing or installing the shear blades.

NOTICE: If the parts other than the shear blades such as the crank are worn out, ask Makita Authorized Service Centers for parts replacement or repairs.

Removing the shear blades

1. Place the tool upside down.

► **Fig.23**

2. While pressing the lock lever, turn the undercover counterclockwise until  on the undercover is aligned with  on the lock lever.

► **Fig.24:** 1. Lock lever 2. Undercover

3. Remove the undercover.

► **Fig.25:** 1. Undercover

4. Loosen two screws with a screwdriver and remove the shear blades.

► **Fig.26:** 1. Screws

NOTE: The shear blades can be removed without removing the screws.

5. Remove the crank from the shear blades.

► **Fig.27:** 1. Crank

NOTE: The crank may remain in the tool.

NOTE: Attach the blade cover and the storage case to the removed shear blades, and then store the blades.

Installing shear blades

1. Prepare the crank, undercover, and new shear blades.

► **Fig.28:** 1. Crank 2. Undercover 3. Shear blades

2. Attach the blade cover to the shear blades.

► **Fig.29:** 1. Blade cover

3. Adjust the three pins so that they are lined up on the alignment line.

► **Fig.30:** 1. Alignment line

4. Apply a small amount of grease to the periphery of the crank. Attach the crank to the pins with its small and large rounds facing down.

► **Fig.31:** 1. Crank

5. Slide the shear blades so that the hole on the guide plate is positioned at the center of the rings of blades.

► **Fig.32:** 1. Guide plate



6. Turn the shear blades upside down and install them so that the pin on the tool fits in the hole on the shear blades. Insert the claw of the guide plate into the groove on the tool. Make sure that the shear blades are fixed securely in place.

► **Fig.33:** 1. Claw 2. Guide plate



NOTE: Sliding the blade cover forward slightly makes it easier to install the shear blades.

7. Tighten the two screws firmly with a screwdriver.

► **Fig.34:** 1. Screws

8. Place the undercover so that  on the undercover is aligned with  on the lock lever.

► **Fig.35:** 1. Lock lever 2. Undercover

9. While pressing the undercover, turn the undercover clockwise until  on the undercover is aligned with  on the lock lever.

► Fig.36: 1. Undercover

10. Make sure that the lock lever fits in the groove on the undercover.

► Fig.37: 1. Lock lever

CAUTION: Never use the tool without installing the undercover.

11. Remove the blade cover, and then turn on the tool to check if the tool works properly.

NOTICE: If the shear blades do not operate properly, the blades are not engaging the crank properly. Remove the blades and install them again.

Installing or removing the chip receiver

Optional accessory

CAUTION: When installing or removing the chip receiver, always wear gloves and attach the blade cover so that your hands and face do not directly contact the blade.

The chip receiver gathers discarded leaves and makes clean-up afterward much easier. It can be installed on either side of the tool.

To install the chip receiver, press it against the shear blades so that the hooks fit into the holes of the shear blades.

► Fig.38: 1. Hooks 2. Holes

To remove the chip receiver, press the levers on both sides to release the hooks.

► Fig.39: 1. Levers

NOTICE: Never try to remove the chip receiver by an excessive force with its hooks locked in the holes of the blades.

OPERATION

WARNING: Before shearing, clear away sticks and stones from the shearing area. Furthermore, clear away any weeds from the shearing area in advance.

► Fig.40

WARNING: Keep hands away from blades.

CAUTION: Avoid operating the tool in very hot weather as much as practicable. When operating the tool, be careful of your physical condition.

Shearing (for grass shear)

Turn the tool on after adjusting the shearing height and hold it so that the bottom of the tool rests on the ground. Gently move the tool forward.

► Fig.41

When trimming around curbs, fences or trees, move the tool along them. Be careful that the blades do not come into contact with them.

► Fig.42

When trimming sprouts or foliage of a small tree, trim little by little.

► Fig.43

Trim large branches to the desired height using branch cutters before using this tool.

NOTICE: Do not use the tool in a way that causes the motor to stop or to rotate extremely slowly.

NOTICE: Do not attempt to cut thick branches.

NOTICE: Do not allow the shear blades to contact the ground during operation. The blades will be dulled, causing poor performance.

NOTICE: Do not trim the wet grass or foliage of small trees.

Cutting long lawn

Do not try to cut long grass all at once. Instead, cut the lawn in steps. Leave a day or two between cuts until the lawn becomes evenly short.

► Fig.44

NOTE: Cutting long grass to a short length all at once may cause the grass to die.

Trimming (for hedge trimmer)

CAUTION: Be careful not to accidentally contact a metal fence or other hard objects while trimming. The blades may break and cause an injury.

CAUTION: Be careful not to allow the shear blades to contact the ground. The tool may recoil and cause an injury.

CAUTION: Overreaching with a hedge trimmer, particularly from a ladder, is extremely dangerous. Do not work while standing on anything wobbly or infirm.

NOTICE: Do not attempt to cut branches thicker than 10 mm in diameter with the tool. Cut branches to 10 cm lower than the cutting height using branch cutters before using the tool.

► Fig.45: (1) Cutting height (2) 10 cm

NOTICE: Do not cut down dead trees or similar hard objects. Doing so may damage the tool.

NOTICE: Do not trim the grass or weeds while using the shear blades. The blades may become tangled in the grass or weeds.

Hold the tool with one hand, pull the switch trigger while pressing the lock-off button, and then move it forward.

► Fig.46

For basic operation, tilt the blades toward the trimming direction and move it calmly and slowly at the speed rate of 3 to 4 seconds per meter.

► Fig.47

To tie a string at the desired height and to trim along it help you to cut a hedge top evenly.

► Fig.48

If the chip receiver is attached to the blades, it gathers discarded leaves and makes clean-up afterward much easier.

To cut a hedge side evenly, cut from the bottom to top.

► Fig.49

When trimming to make a round shape (trimming box-wood or rhododendron, etc.), trim from the root to the top for a beautiful finish.

► Fig.50

MAINTENANCE

CAUTION: Always be sure that the tool is switched off and the battery cartridge is removed before attempting to perform inspection or maintenance.

To maintain product SAFETY and RELIABILITY, repairs, any other maintenance or adjustment should be performed by Makita Authorized or Factory Service Centers, always using Makita replacement parts.

Cleaning the tool

Clean the tool by wiping off dust with a dry cloth or one dipped in soapy water and wrung out.

NOTICE: Never use gasoline, benzine, thinner, alcohol or the like. Discoloration, deformation or cracks may result.

Blade maintenance

Before the operation or once per hour during operation, apply low-viscosity oil (machine oil, or spray-type lubricating oil) to the blades.

► Fig.51

► Fig.52

After operation, remove dust from both sides of the blades with a wired brush, wipe it off with a cloth and then apply low-viscosity oil (machine oil, or spray-type lubricating oil) to the blades.

► Fig.53

► Fig.54

NOTICE: Do not wash the blades in water. Doing so may cause rust or damage to the tool.

NOTICE: Dirt and corrosion cause excessive blade friction and shorten the operating time per battery charge.

Storage

The hook hole in the tool bottom is convenient for hanging the tool from a nail or screw on the wall.

Attach the blade cover to the shear blades so that the blades are not exposed. Store the tool out of the reach of children. Store the tool in a place not exposed to moisture or rain.

► Fig.55: 1. Hole

► Fig.56: 1. Hole

OPTIONAL ACCESSORIES

CAUTION: These accessories or attachments are recommended for use with your Makita tool specified in this manual. The use of any other accessories or attachments might present a risk of injury to persons. Only use accessory or attachment for its stated purpose.

If you need any assistance for more details regarding these accessories, ask your local Makita Service Center.

- Shear blade assembly (for grass shear use)
- Shear blade cover (for grass shear use)
- Grass receiver (for grass shear use)
- Long handle attachment (for grass shear use)
- Shear blade assembly (for hedge trimmer use)
- Shear blade cover (for hedge trimmer use)
- Chip receiver (for hedge trimmer use)
- Storage case
- Makita genuine battery and charger

NOTE: Some items in the list may be included in the tool package as standard accessories. They may differ from country to country.

SPECIFIKATIONER

Modell:		DUM111
Skärbredd		110 mm
Slag per minut		2 500 min ⁻¹
Artikelnummer för ersättningskärlblad	Grästrimmer	191N23-4, 195267-4
	Häcktrimmer	191N24-2, 198408-1
Dimensioner (L x B x H)		330 mm x 120 mm x 130 mm
Märkspänning		18 V likström
Nettovikt		1,4 kg - 1,8 kg

- På grund av vårt pågående program för forskning och utveckling kan dessa specifikationer ändras utan föregående meddelande.
- Specifikationer och batterikassett kan variera mellan olika länder.
- Vikten kan variera beroende på tillbehören, inklusive batterikassett. Den lättaste och den tyngsta kombinationen enligt EPTA-procedur 01/2014 visas i tabellen.

Tillgänglig batterikassett och laddare

Batterikassett	BL1815N / BL1820B / BL1830B / BL1840B / BL1850B / BL1860B
Laddare	DC18RC / DC18RD / DC18RE / DC18SD / DC18SE / DC18SF / DC18SH

- Vissa av batterikassetterna och laddarna på listan ovan kanske inte finns tillgängliga i din region.

⚠ VARNING: Använd endast batterikassetter och laddare från listan ovan. Användning av andra batterikassetter och laddare kan orsaka personskada och/eller brand.








Rekommenderad sladdansluten strömkälla





Bärbart strömpaket	PDC01
--------------------	-------

- De(n) sladdanslutna strömkällan/strömkällorna på listan ovan kanske inte finns tillgängliga i din region.
- Innan du använder den sladdanslutna strömkällan ska du läsa instruktionen och varningsmärkena på den.

Symboler

Följande visar symbolerna som kan användas för utrustningen. Se till att du förstår innebörden innan användning.

	Var extra försiktig och uppmärksam.
	Läs igenom bruksanvisningen.
	Fara! Se upp för flygande föremål.
	Håll omgivande personer på avstånd.
	De skärande delarna fortsätter att gå efter att motorn har stängts av.
	Utsätt inte verktyget för fukt.
	Använd skyddsglasögon.

	FARA – Håll händerna borta från bladet.
	Gäller endast inom EU P.g.a. förekomsten av farliga komponenter i utrustningen kan avfall innehållande elektrisk och elektronisk utrustning, ackumulatörer och batterier ha negativ inverkan på miljön och människors hälsa. Kassera inte elektriska och elektroniska apparater eller batterier ihop med hushållsavfall! I enlighet med EU-direktiven om avfall som utgörs av eller innehåller elektrisk och elektronisk utrustning och om batterier och ackumulatörer, och förbrukade batterier och ackumulatörer, och dess införlivande i nationell lagstiftning, bör förbrukad elektrisk och elektronisk utrustning, batterier och ackumulatörer förvaras separat och transporteras till en särskild uppsamlingsplats för kommunalt avfall, som drivs i enlighet med regelverket för miljöskydd. Detta anges av symbolen med den överkryssade soptunnan på hjul som sitter på utrustningen.
	Garanterad ljudeffektnivå enligt EU-direktivet för utomhusbuller.
	Ljudeffektnivå enligt Australia NSW Noise Control Regulation (Bullerreglering)

Avsedd användning

Maskinen är avsedd för klippa gräsmattkanter eller skott.

Buller

Den normala bullernivån för A-belastning är bestämd enligt EN50636-2-94:

DUM111 med monterat skärblad för kantsax

Ljudtrycksnivå (L_{pA}): 70 dB (A)

Måttolerans (K): 1,5 dB (A)

Bullernivån vid arbete kan överstiga 80 dB (A).

Den normala bullernivån för A-belastning är bestämd enligt EN62841-4-2:

DUM111 med monterat skärblad för häcksax

Ljudtrycksnivå (L_{pA}): 70 dB (A)

Måttolerans (K): 3 dB (A)

Bullernivån vid arbete kan överstiga 80 dB (A).

OBS: Det deklarerade bullervärdet har uppmätts i enlighet med standardtestmetoden och kan användas för jämförandet av en maskin med en annan.

OBS: Det deklarerade bulleremissionsvärdet kan också användas i en preliminär bedömning av exponering för vibration.

⚠ VARNING: Använd hörselskydd.

⚠ VARNING: Bulleremissionen under faktisk användning av maskinen kan skilja sig från det deklarerade värdet, beroende på hur maskinen används och särskilt vilken typ av arbetsstycke som behandlas.

⚠ VARNING: Var noga med att identifiera säkerhetsåtgärder för att skydda användaren, vilka är grundade på en uppskattning av graden av exponering för vibrationer under de faktiska användningsförhållandena, (ta, förutom avtryckartiden, med alla delar av användarcykeln i beräkningen, som till exempel tiden då maskinen är avstängd och när den går på tomgång).

Vibration

Det totala vibrationsvärdet (treaxlad vektorsumma) bestämt enligt EN50636-2-94:

DUM111 med monterat skärblad för kantsax

Vibrationsemission (a_h): 2,5 m/s² eller lägre

Måttolerans (K): 1,5 m/s²

Det totala vibrationsvärdet (treaxlad vektorsumma) bestämt enligt EN62841-4-2:

DUM111 med monterat skärblad för häcksax

Vibrationsemission (a_h): 2,5 m/s² eller lägre

Måttolerans (K): 1,5 m/s²

OBS: Det deklarerade totala vibrationsvärdet har uppmätts i enlighet med standardtestmetoden och kan användas för jämförandet av en maskin med en annan.

OBS: Det deklarerade totala vibrationsvärdet kan också användas i en preliminär bedömning av exponering för vibration.

⚠ VARNING: Vibrationsemissionen under faktisk användning av maskinen kan skilja sig från det deklarerade värdet, beroende på hur maskinen används och särskilt vilken typ av arbetsstycke som behandlas.

⚠ VARNING: Var noga med att identifiera säkerhetsåtgärder för att skydda användaren, vilka är grundade på en uppskattning av graden av exponering för vibrationer under de faktiska användningsförhållandena, (ta, förutom avtryckartiden, med alla delar av användarcykeln i beräkningen, som till exempel tiden då maskinen är avstängd och när den går på tomgång).

EG-försäkringen om överensstämmelse

Gäller endast inom EU

EG-försäkringen om överensstämmelse inkluderas som bilaga A till denna bruksanvisning.

SÄKERHETSVARNINGAR

Allmänna säkerhetsvarningar för maskiner

⚠ VARNING: Läs alla säkerhetsvarningar, anvisningar, illustrationer och specifikationer som medföljer det här maskinen. Underlåtenhet att följa instruktionerna kan leda till elstöt, brand och/eller allvarliga personskadorna.

Spara alla varningar och instruktioner för framtida referens.

Termen "maskin" som anges i varningarna hänvisar till din eldrivna maskin (sladdansluten) eller batteridrivna maskin (sladdlös).

Säkerhetsvarningar för batteridrivna kantsax

Allmänna anvisningar

1. För att säkerställa en korrekt användning måste användaren läsa igenom denna bruksanvisning för att bli förtrogen med hanteringen av utrustningen. En användare som inte har tillgodogjort sig informationen utgör en risk både för sig själv och andra på grund av felaktig hantering.
2. Låt aldrig barn eller personer med nedsatt fysisk, sensorisk eller mental förmåga, eller personer som saknar kunskap och erfarenhet av maskinen eller som inte är förtrogna med dessa anvisningar, använda maskinen.
3. Använd maskinen med största försiktighet och uppmärksamhet.
4. Använd endast maskinen när du är i god fysisk kondition. Utför allt arbete noggrant och i lugnt tempo. Använd sunt förnuft och glöm inte att användaren är ansvarig för olyckor eller eventuell fara gentemot andra personer och deras egendom.

5. Använd aldrig maskinen när personer (speciellt barn) eller djur finns i närheten.
6. Motorn ska stängas av direkt i händelse av att utrustningen visar tecken på något problem eller något onormalt.
7. Stäng av motorn och ta bort batterikassetten vid vila och när maskinen lämnas utan uppsikt, samt placera den på ett säkert ställe för att förhindra att andra personer eller maskinen skadas.
8. Undvik att använda maskinen vid dåliga väderförhållanden, speciellt vid risk för åska.
7. Stäng omedelbart av motorn och inspektera skärverktyget om det har slagit i stenar eller andra hårda föremål.
8. Kontrollera om det finns några skador på skärverktyget under korta regelbundna intervaller (upptäck härfinna sprickor med hjälp av knackande ljudtest).
9. Innan klippningen kan börja måste skärverktyget ha uppnått full arbetshastighet.
10. Skärverktyget måste vara utrustat med korrekt skydd. Kör aldrig maskinen med skadade skydd eller utan skydden på plats!

Personlig skyddsutrustning

1. Bär alltid skyddsglasögon och kraftiga skor när du arbetar med maskinen.
2. Bär alltid lämpliga skor och långbyxor vid arbete med maskinen.

Starta maskinen

1. Förvissa dig om att varken barn eller andra personer befinner sig i närheten, och var även uppmärksam på eventuella djur i omgivningen. Sluta att använda maskinen annars.
2. Kontrollera alltid före användningen att utrustningen är säker att använda. Kontrollera att klippverktyget och skyddet fungerar säkert och att avtryckaren/startspaken kan användas enkelt och fungerar korrekt. Kontrollera att handtagen är rena och torra samt att start-/stoppfunktionen fungerar.
3. Kontrollera skadade delar före fortsatt användning av utrustningen. Ett skadat skydd eller en annan del som är skadad måste noggrant kontrolleras för att avgöra om den kommer att fungera korrekt och utföra det arbete som den är avsedd för. Kontrollera inriktningen och fästet för rörliga delar, om det finns trasiga delar, monteringen eller andra förhållande som kan påverka användningen av maskinen. Ett skydd eller en annan del som är skadad ska repareras ordentligt eller bytas ut av en auktoriserad serviceverkstad om inte något annat anges i denna bruksanvisning.
4. Starta endast motorn när du inte har dina händer och fötter i närheten av skärverktyget.
5. Kontrollera innan du startar att skärverktyget inte är i kontakt med några föremål.

Arbetsmetod

1. Använd endast utrustningen då du har goda ljus- och siktförhållanden. Var uppmärksam på våta och hala fläckar, snö och is under vintersäsongen (halkrisk). Säkerställ att du alltid står stabilt i sluttingar och att du alltid går och inte springer när du använder maskinen.
2. Var försiktig så att du inte skadar händer och fötter på skärverktyget.
3. Stå aldrig på en stege när du använder maskinen.
4. Klättra aldrig upp i träd för att klippa med maskinen.
5. Arbeta aldrig på ostadigt underlag.
6. Ta bort sand, stenar, spikar etc. som finns i arbetsområdet. Främmande föremål kan skada skärverktyget och eventuellt orsaka farliga bakåtkast.

11. Alla skyddsfunktioner och skydd som medföljer maskinen måste användas när du arbetar med maskinen.
12. Ta alltid bort batterikassetten från maskinen:
 - när maskinen lämnas utan uppsikt;
 - innan du tar bort något som fastnat;
 - innan utrustningen kontrolleras, rengörs eller något arbete utförs på den;
 - om du stött emot ett främmande föremål med maskinen;
 - om maskinen börjar vibrera på ett onormalt sätt.
13. Försäkra dig alltid om att lufthålen är fria från smuts.
14. De skärande delarna fortsätter att gå efter att motorn har stängts av.
15. Om klingorna slutar att röra sig på grund av att främmande föremål fastnar mellan klingorna under arbetet, stänger du av verktyget och tar bort batterikassetten. Ta sedan bort de främmande föremålen med hjälp av ett verktyg, såsom en tång. Att ta bort de främmande föremålen för hand kan orsaka skador på grund av att klingorna kan röra sig som en reaktion på att de främmande föremålen tas bort.

Skärverktyg

Säkerställ att rätt skärverktyg används för det jobb som ska utföras.

Underhållsanvisningar

1. Utrustningens kondition och i synnerhet skydden för skärverktyget måste kontrolleras innan arbetet påbörjas.
2. Stäng av motorn och ta bort batterikassetten innan du utför något underhållsarbete, byter ut skärverktyg eller rengör maskinen eller skärverktyget.
3. När maskinen inte används ska den förvaras inomhus på en torr och högt belägen eller låst plats, utom räckhåll för barn. Utför rengöring och underhåll innan förvaring.

SPARA DESSA ANVISNINGAR.

⚠ VARNING: GLÖM INTE att också fortsättningsvis strikt följa säkerhetsanvisningarna för maskinen även efter att du blivit van att använda den. Vid FELAKTIG HANTERING av maskinen eller om inte säkerhetsanvisningarna i denna bruksanvisning följs kan följden bli allvarliga personskadorna.

Säkerhetsvarningar för batteridriven häcksax

- Håll alla kroppsdelar borta från skärbladet. Ta inte bort avklippt material eller håll inte i materialet som ska klippas av när bladen är i rörelse.** Bladen fortsätter röra sig efter att strömbrytaren stängts av. Ett ögonblick av ouppmärksamhet när häcksaxen är igång kan resultera i allvarlig personskada.
- Bär häcksaxen i handtaget med bladet stoppat och var noga med att inte aktivera någon strömbrytare.** Om du bär häcksaxen på rätt sätt minskar risken för oavsiktlig start och därav följande personskada från bladen.
- När häcksaxen transporteras eller förvaras ska alltid bladskyddet sitta på.** Korrekt hantering av häcksaxen minskar risken för personskador från bladen.
- Se till när du tar bort material som fastnat eller servar enheten att alla strömbrytare är avstängda och batteripaketet borttaget eller fränkopplat.** Om häcksaxen råkar aktiveras oönskat medan man tar bort material som fastnat eller servar den, kan det leda till allvarlig personskada.
- Håll häcksaxen endast i de isolerade greppytorna, eftersom bladet kan komma i kontakt med dolda kablar.** Om bladet kommer i kontakt med en strömförande ledning blir häcksaxens metalldelar strömförande och kan ge operatören en elektrisk stöt.
- Håll alla strömladdare och kablar borta från klippområdet.** Sladdar eller kablar kan hamna dolda i häckar eller buskar och oavsiktligt bli avklippta av skärbladet.
- Använd inte häcksaxen vid dåliga väderförhållanden, särskilt inte vid risk för åska.** Risken finns att bli träffad av blixten.

Ytterligare säkerhetsinstruktioner

Förberedelse

- Kontrollera häckarna och buskarna avseende främmande föremål, som staket eller dolda kablar innan du använder maskinen.**
- Verktyget får inte användas av barn eller ungdomar under 18 år.** Undantag kan göras för ungdomar över 16 år som har fått utbildning och träning av en kunnig person.
- Förstagångsanvändare bör läta en erfaren användare visa hur verktyget ska användas.**
- Använd endast verktyget när du är i god fysisk kondition.** Om du är trött blir du ouppmärksam. Var speciellt försiktig vid arbetsdagens slut. Utför allt arbete noggrant och i lugnt tempo. Användaren är ansvarig för all skada på tredje person.
- Använd aldrig verktyget om du är påverkad av alkohol, droger eller läkemedel.**
- Arbetshandskar av kraftigt läder är en del av grundutrustningen för verktyget och måste alltid bäras när det används. Använd också kraftiga skor med halksäkra sulor.**
- Kontrollera innan arbetet inleds att verktyget är i gott och säkert skick. Säkerställ att skydden sitter fast ordentligt. Verktyget får inte användas om det inte är fullständigt monterat.**

Användning

- Håll ett stadigt tag i verktyget när du arbetar.**
- Verktyget är avsett att användas av operatören på marknivå. Använd inte verktyget på stegar eller något annat instabilt underlag.**
- Ha inte på flera selar och/eller axelremmar samtidigt när verktyget används.**
- FARA - Håll händerna borta från klingan.** Kontakt med klingan kommer att leda till allvarlig personskada.
- Använd inte verktyget i regn eller under våta eller fuktiga förhållanden.** Den elektriska motorn är inte vattentät.
- Se till att du står stadigt innan du börjar använda maskinen.**
- Använd inte maskinen obelastad i onödan.**
- Stäng genast av verktyget och ta bort batterikassetten om skärbladen skulle komma i kontakt med ett stängsel eller annat hårt objekt. Kontrollera om bladen är skadade och byt ut bladen omedelbart om så är fallet.**
- Stäng alltid av verktyget och ta bort batterikassetten innan skärbladen kontrolleras, innan material tas bort som har fastnat i skärbladen eller om något fel ska åtgärdas.**
- Rikta aldrig skärbladen mot dig själv eller någon annan.**
- Om klingorna slutar att röra sig på grund av att främmande föremål fastnar mellan klingorna under arbetet, stänger du av verktyget och tar bort batterikassetten. Ta sedan bort de främmande föremålen med hjälp av ett verktyg, såsom en tång. Att ta bort de främmande föremålen för hand kan orsaka skador på grund av att klingorna kan röra sig som en reaktion på att de främmande föremålen tas bort.**
- Undvik farliga miljöer. Använd inte maskinen på fuktiga eller blöta platser, och utsätt den heller inte för regn. Vatten som kommer in i maskinen ökar risken för elektriska stötar.**

Underhåll och förvaring

- Stäng av verktyget och ta bort batterikassetten innan du utför något underhållsarbete.**
- När verktyget ska flyttas till en annan plats, även under pågående arbete, ska batterikassetten alltid tas bort och bladskyddet fästas på skärbladen. Bär aldrig och transportera aldrig verktyget medan bladen rör sig. Ta aldrig i bladen med händerna.**
- Rengör verktyget och speciellt skärbladen efter användning och innan verktyget tas i förvar för en längre period. Smörj bladen lätt med olja och trä på bladskyddet.**
- Förvara verktyget med bladskyddet på och i ett torrt utrymme. Håll det borta från barn. Förvara aldrig verktyget utomhus.**
- Släng inte batteriet/batterier in i öppen eld. Cellen kan i annat fall explodera. Kontrollera om några speciella lokala föreskrifter föreligger avseende avfallshantering.**
- Öppna inte eller skada/deformera/punktera batteriet/batterierna. Elektrolyten som kommer ut är frätande och kan ge ögon- eller hudskador. Den kan vara giftig vid intag.**

7. Ladda inte batteriet i regn eller i fuktiga eller våta utrymmen.

SPARA DESSA ANVISNINGAR.

⚠VARNING: GLÖM INTE att också fortsättningsvis strikt följa säkerhetsanvisningarna för maskinen även efter att du blivit van att använda den. Vid FELAKTIG HANTERING av maskinen eller om inte säkerhetsanvisningarna i denna bruksanvisning följs kan följden bli allvarliga personskador.

Viktiga säkerhetsanvisningar för batterikassetten

1. Innan batterikassetten används ska alla instruktioner och varningsmärken på (1) batteriladdaren, (2) batteriet och (3) produkten läsas.
2. Montera inte isär eller mixtra med batterikassetten. Det kan leda till brand, överdriven värme eller explosion.
3. Om drifttiden blivit avsevärt kortare ska användningen avbrytas omedelbart. Det kan uppstå överhettning, brännskador och t o m en explosion.
4. Om du får elektrolyt i ögonen ska de sköljas med rent vatten och läkare uppsöks omedelbart. Det finns risk för att synen förloras.
5. Kortslut inte batterikassetten.
 - (1) Rör inte vid polerna med något strömförande material.
 - (2) Undvik att förvara batterikassetten tillsammans med andra metallobjekt som t.ex. spikar, mynt o.s.v.
 - (3) Skydda batteriet mot vatten och regn. En batterikortslutning kan orsaka ett stort strömlöflöde, överhettning, brand och maskinhaveri.
6. Förvara och använd inte verktyget och batterikassetten på platser där temperaturen kan nå eller överstiga 50 °C.
7. Bränn inte upp batterikassetten även om den är svårt skadad eller helt utsliten. Batterikassetten kan explodera i öppen eld.
8. Spika inte i, krossa, kasta, tappa eller slå batterikassetten mot hårda föremål. Dylåka händelser kan leda till brand, överdriven värme eller explosion.
9. Använd inte ett skadat batteri.
10. De medföljande litiumjonbatterierna är föremål för kraven i gällande lagstiftning för farligt gods.

För kommersiella transporter (av t.ex. tredje parter som speditorsfirmor) måste de särskilda transportkrav som anges på emballaget och etiketter iakttagas.

För att förbereda den produkt som ska avsändas krävs att du konsulterar en expert på riskmaterial. Var också uppmärksam på att det i ditt land kan finnas ytterligare föreskrifter att följa. Tejpa över eller maskera blottade kontakter och packa batteriet på sådant sätt att det inte kan röra sig fritt i förpackningen.

11. När batterikassetten ska kasseras måste den tas bort från maskinen och kasseras på ett säkert sätt. Följ lokala föreskrifter beträffande avfallshandtering av batteriet.
12. Använd endast batterierna med de produkter som specificerats av Makita. Att använda batterierna med ej godkända produkter kan leda till brand, överdriven värme, explosion eller utläckande elektrolyt.
13. Om maskinen inte används under en lång tid måste batteriet tas bort från maskinen.
14. Under och efter användning kan batterikassetten bli het vilket kan orsaka brännskador eller lättare brännskador. Var uppmärksam på hur du hanterar varma batterikassetter.
15. Vidrör inte verktygets kontakter direkt efter användning eftersom de kan bli heta och orsaka brännskador.
16. Låt inte flisor, damm eller smuts fastna i kontaktarna, i hål eller spår i batterikassetten. Det kan leda till dålig prestanda eller till att verktyget eller batterikassetten går sönder.
17. Såvida inte verktyget stöder arbeten i närheten av högspänningsledning får batterikassetten inte användas i närheten av en högspänningsledning. Det kan leda till att verktyget eller batterikassetten går sönder eller inte fungerar korrekt.
18. Förvara batteriet utom räckhåll för barn.

SPARA DESSA ANVISNINGAR.

⚠FÖRSIKTIGT: Använda endast äkta Makita-batterier. Användning av oäkta Makita-batterier eller batterier som har manipulerats kan leda till person- och utrustningsskador eller till att batteriet fattar eld. Det upphäver också Makitas garanti för verktyget och laddaren.

Tips för att uppnå batteriets maximala livslängd

1. Ladda batterikassetten innan den är helt urladdad. Stanna alltid maskinen och ladda batterikassetten när du märker att maskinen blir svagare.
2. Ladda aldrig en fulladdad batterikasset. Överladdning förkortar batteriets livslängd.
3. Ladda batterikassetten vid en rumstemperatur på 10 °C - 40 °C. Låt en varm batterikasset svalna innan den laddas.
4. När batterikassetten inte används ska den tas bort från verktyget eller laddaren.
5. Ladda batterikassetten om du inte har använt den på länge (mer än sex månader).

FUNKTIONSBESKRIVNING

⚠ FÖRSIKTIGT: Se alltid till att maskinen är avstängd och batterikassetten borttagen innan du justerar maskinen eller kontrollerar dess funktioner.

Använda maskinen som batteridriven häcksax

Detta verktyg kan användas som batteridriven häcksax genom att man monterar skärbladen för häcksax.

Montera eller demontera batterikassetten

⚠ FÖRSIKTIGT: Stäng alltid av maskinen innan du monterar eller tar bort batterikassetten.

⚠ FÖRSIKTIGT: Håll stadigt i maskinen och batterikassetten när du monterar eller tar bort batterikassetten. I annat fall kan det leda till att de glider ur dina händer och orsakar skada på maskinen och batterikassetten samt personskada.

► **Fig. 1:** 1. Röd indikator 2. Knapp 3. Batterikasset

Ta bort batterikassetten genom att skjuta ner knappen på kassetten framsida samtidigt som du drar ut batterikassetten.

Sätt i batterikassetten genom att rikta in tungan på batterikassetten mot spåret i hölet och skjut den på plats. Tryck in batterikassetten ordentligt tills den låser fast med ett klick. Om du kan se den röda indikatorn som bilden visar är den inte låst ordentligt.

⚠ FÖRSIKTIGT: Sätt alltid i batterikassetten helt tills den röda indikatorn inte längre syns. I annat fall kan den oväntat falla ur verktyget och skada dig eller någon annan.

⚠ FÖRSIKTIGT: Montera inte batterikassetten med våld. Om kassetten inte lätt glider på plats är den felinställt.

Indikerar kvarvarande batterikapacitet

Endast för batterikassetter med indikator

► **Fig. 2:** 1. Indikatorlampor 2. Kontrollknapp

Tryck på kontrollknappen på batterikassetten för att se kvarvarande batterikapacitet. Indikatorlamporna lyser i ett par sekunder.

Indikatorlampor			Kvarvarande kapacitet
Upplyst	Av	Blinkar	
■	□	◐	75% till 100%
■	■	□	
■	■	◐	50% till 75%
■	□	□	25% till 50%
■	□	□	0% till 25%
◐	□	□	Ladda batteriet.

Indikatorlampor			Kvarvarande kapacitet
Upplyst	Av	Blinkar	
■	□	◐	Batteriet kan ha skadats.
■	■	□	
□	□	■	

OBS: Beroende på användningsförhållanden och den omgivande temperaturen kan indikationen skilja sig lätt från den faktiska batterikapaciteten.

OBS: Den första (längst till vänster) indikatorlampor kommer att blinka när batteriskyddssystemet fungerar.

Skyddssystem för maskinen/batteriet

Verktyget är utrustat med ett skyddssystem för verktyget/batteriet. Detta system bryter automatiskt strömmen till motorn för att förlänga verktygets och batteriets livslängd. Verktyget stoppar automatiskt under användningen om verktyget eller batteriet hamnar i en av följande situationer:

Överbelastningsskydd

Om batteriet används på ett sätt som gör att det drar onormalt mycket ström kan maskinen stoppa automatiskt. Stäng då av maskinen och stoppa åtgärden som gjorde att den överbelastades. Starta därefter upp maskinen igen.

Överhettningsskydd

När batteriet överhettas stoppas verktyget automatiskt. I sådant fall ska du låta verktyget och batteriet svalna innan verktyget sätts på igen.

Överurladdningsskydd

När batteriets kapacitet är otillräcklig stoppar maskinen automatiskt. I sådant fall ska batteriet tas ur maskinen och laddas.

Avtryckarens funktion

⚠ WARNING: Innan du sätter i batterikassetten i maskinen ska du kontrollera att avtryckaren fungerar och återgår till läget "OFF" när du släpper den.

⚠ WARNING: Denna maskin är utrustad med en startspärr som förhindrar oavsiktlig start. Använd aldrig maskinen om den startar när du trycker in avtryckaren utan att ha tryckt in startspärren. Kontakta ditt lokala Makita-servicecenter för reparation.

⚠ WARNING: Deaktivera aldrig spärren och tejpa aldrig ner startspärren.

OBSERVERA: Tryck inte in avtryckaren med våld utan att först ha tryckt in startspärren. Avtryckaren kan gå sönder.

► **Fig. 3:** 1. Avtryckare 2. Startspärr

En startspärr förhindrar oavsiktlig aktivering av avtryckaren. Starta maskinen genom att först trycka in startspärren och sedan avtryckaren. Släpp avtryckaren för att stoppa maskinen. Startspärren kan tryckas in antingen från höger eller vänster sida.

Indikatorlampa

Indikatorlampan blinkar eller tänds när den kvarvarande batterikapaciteten är låg eller när batteriet är tomt. Indikatorlampan tänds också när maskinen överbelastas.

► **Fig.4:** 1. Indikatorlampa

Lampstatus och åtgärder som ska vidtas

Indikatorlampa	Status	Åtgärder som ska vidtas
Lampan blinkar rött.	Den kvarvarande batterikapaciteten är låg.	Ladda batteriet.
Lampan lyser rött. *	Maskinen har stannat på grund av att batteriet är tomt.	Ladda batteriet.
	Maskinen har stannat på grund av överbelastning.	Stäng av maskinen.

* Tidpunkten då indikatorlampan tänds varierar beroende på temperaturen runt arbetsplatsen samt batterikassetens skick.

Justera klipplängden (för kantsax)

Extra tillbehör

⚠FÖRSIKTIGT: När klipplängden justeras måste säkerställas att bladskyddet är monterat, och att man inte fastnar med fingrarna mellan maskinen och gräsupsamlaren.

Klipplängden kan ställas in i tre steg (15 mm, 20 mm, och 25 mm) genom att ändra gräsupsamlarens fasta läge. Klippplängden utan gräsupsamlaren ligger på runt 10 mm.

1. Skjut gräsupsamlaren framåt mot maskinens främre del.

► **Fig.5:** 1. Gräsupsamlare

2. Ändra gräsupsamlarens fasta position genom att flytta den i pilens riktning.

► **Fig.6**

OBS: Värdet för klipplängd är ett riktvärde. Den faktiska klipplängden kan variera beroende på förutsättningarna på gräsmattan eller marken.

OBS: Gör en testklippning i ett mindre synligt område för att få önskad höjd.

MONTERING

⚠FÖRSIKTIGT: Se alltid till att maskinen är avstängd och batterikassetten borttagen innan du underhåller maskinen.

⚠FÖRSIKTIGT: Använd alltid handskar vid byte av skärbladen och sätt på bladskyddet så att händer och ansikte inte kommer i direktkontakt med bladen.

OBSERVERA: Torka inte av smörjfett från växlar och vevhus vid byte av skärblad.

Montera eller demontera bladskydd

⚠FÖRSIKTIGT: Var försiktig så att du inte vidrör bladen vid montering eller borttagning av bladskyddet.

Dra försiktigt i bladskyddet för att ta bort det och skjut det åt sidan. Gör samma sak men i omvänd ordning för att montera bladskyddet.

► **Fig.7**

Montera eller demontera gräsupsamlare

Extra tillbehör

⚠FÖRSIKTIGT: När gräsupsamlaren monteras eller demonteras måste säkerställas att bladskyddet är monterat, och att man inte fastnar med fingrarna mellan maskinen och gräsupsamlaren.

Montering av gräsupsamlaren

1. Haka i gångjärnet till gräsupsamlaren i spåret på maskinen.

► **Fig.8:** 1. Gångjärn 2. Gräsupsamlare

2. Passa in de utskjutande delarna på gräsmottagaren i spåren på maskinen genom att skjuta gräsupsamlaren mot maskinens framkant och flytta den i pilens riktning.

► **Fig.9**

OBSERVERA: Sätt inte på gräsupsamlarens gångjärn på maskinen med våld efter att de utskjutande delarna på gräsmottagaren har passats in i spåren på maskinen.

Demontera gräsupsamlaren

1. Lossa de utskjutande delarna på gräsmottagaren från spåren på maskinen och skjut gräsupsamlaren mot maskinens framkant.

► **Fig.10:** 1. Gräsupsamlare

2. Lossa gångjärnet till gräsupsamlaren från maskinen.



Montera eller demontera skärblad för kantsax

OBSERVERA: Om andra delar än skärblad slits ut (t.ex. vevhus), kontakta Makitas auktoriserade servicecenter för utbytesdelar eller reparation.

Demontera skärbladen

1. Ta bort gräsupsamlaren om den sitter på. Placera verktyget upp och ner.

► **Fig.11**

2. Tryck på låsspaken och vrid samtidigt det undre skyddet motsols tills symbolen  på det undre skyddet pekar mot  på låsspaken.

► **Fig.12:** 1. Undre skydd 2. Låsspak





3. Ta av det undre skyddet, skärbladen och vevhuset.

► **Fig.13:** 1. Undre skydd 2. Skärblad 3. Vevhus

Montera skärbladen

1. Förbered vevhuset, det undre skyddet och de nya skärbladen.
► **Fig.14:** 1. Vevhus 2. Undre skydd 3. Skärblad
2. Ta av bladskyddet från de gamla skärbladen och sätt på det på de nya.
► **Fig.15:** 1. Bladskydd
3. Rikta in de tre stiften så att de ligger i linje på grundlinjen.
► **Fig.16:** 1. Grundlinje
4. Smörj vevhusets ytterkant något med smörjfett. Sätt på vevhuset på stiften med de små och stora rundlarna uppåt.
► **Fig.17:** 1. Vevhus
5. Justera bladen och anhållet så att hålet i anhållet ligger i linje med de två utskjutande delarna på bladen.
► **Fig.18:** 1. Anhåll
6. Vänd skärbladen upp och ned och montera dem så att stiften på verktyget passar in i hålet på anhållet. Säkerställ att skärbladen sitter ordentligt fast.
► **Fig.19:** 1. Anhåll

OBS: Genom att skjuta bladskyddet lite framåt blir det enklare att montera skärbladen.

7. Placera det undre skyddet så att symbolen  på det undre skyddet är i linje med symbolen  på låsspaken.
► **Fig.20:** 1. Undre skydd 2. Låsspak
8. Tryck på det undre skyddet och vrid det samtidigt medsols tills symbolen  på det undre skyddet pekar mot  på låsspaken.
► **Fig.21:** 1. Undre skydd 2. Låsspak
9. Säkerställ att låsspaken passar in i spåret på det undre skyddet.
► **Fig.22:** 1. Låsspak

⚠ FÖRSIKTIGT: Använd aldrig maskinen utan att det undre skyddet är monterat.

10. Ta bort bladskyddet och starta därefter maskinen för att kontrollera att den fungerar korrekt.



OBSERVERA: Om skärbladen inte fungerar som de ska sitter bladen inte ordentligt i vevhuset. Demontera bladen och montera dem på nytt.

Montera eller demontera skärblad för häcksax

⚠ FÖRSIKTIGT: Sätt på bladskyddet innan skärbladen monteras eller demonteras.

OBSERVERA: Om andra delar än skärblad slits ut (t.ex. vevhus), kontakta Makitas auktoriserade servicecenter för utbytesdelar eller reparation.

Demontera skärbladen

1. Placera maskinen upp och ner.
► **Fig.23**
 2. Tryck på låsspaken och vrid samtidigt det undre skyddet motsols tills symbolen  på det undre skyddet pekar mot  på låsspaken.
► **Fig.24:** 1. Låsspak 2. Undre skydd
 3. Ta av det undre skyddet.
► **Fig.25:** 1. Undre skydd
 4. Lossa de två skruvarna med en skruvmejsel och ta bort skärbladen.
► **Fig.26:** 1. Skruvar
5. Ta bort vevhuset från skärbladen.
► **Fig.27:** 1. Vevhus

OBS: Skärbladen kan demonteras utan att ta bort skruvarna.



OBS: Vevhuset kan sitta kvar i maskinen.



OBS: Sätt på bladskyddet och bladfodralet på de demonterade skärbladen och förvara bladen på lämplig plats.

Montera skärblad

1. Förbered vevhuset, det undre skyddet och de nya skärbladen.
► **Fig.28:** 1. Vevhus 2. Undre skydd 3. Skärblad
2. Montera skyddet på skärbladen.
► **Fig.29:** 1. Bladskydd
3. Rikta in de tre stiften så att de ligger i linje på grundlinjen.
► **Fig.30:** 1. Grundlinje
4. Smörj vevhusets ytterkant något med smörjfett. Sätt på vevhuset på stiften med de små och stora rundlarna nedåt.
► **Fig.31:** 1. Vevhus
5. Skjut skärbladen så att hålet i anhållet är placerat i mitten av bladens ringar.
► **Fig.32:** 1. Anhåll
6. Vänd skärbladen upp och ned och montera dem så att stiftet på verktyget passar in i hålet på skärbladen. Sätt in anhållets klo i spåret på verktyget. Säkerställ att skärbladen sitter ordentligt fast.
► **Fig.33:** 1. Klo 2. Anhåll

OBS: Genom att skjuta bladskyddet lite framåt blir det enklare att montera skärbladen.

7. Dra åt de två skruvarna ordentligt med en skruvmejsel.
► **Fig.34:** 1. Skruvar
8. Placera det undre skyddet så att symbolen  på det undre skyddet är i linje med symbolen  på låsspaken.
► **Fig.35:** 1. Låsspak 2. Undre skydd

9. Tryck på det undre skyddet och vrid det samtidigt medsols tills symbolen  på det undre skyddet pekar mot  på låsspaken.

► Fig.36: 1. Undre skydd

10. Säkerställ att låsspaken passar in i spåret på det undre skyddet.

► Fig.37: 1. Låsspak

⚠ FÖRSIKTIGT: Använd aldrig maskinen utan att det undre skyddet är monterat.

11. Ta bort bladskyddet och starta därefter maskinen för att kontrollera att maskinen fungerar korrekt.

OBSERVERA: Om skärbladen inte fungerar som de ska sitter bladen inte ordentligt i vevhuset. Demontera bladen och montera dem på nytt.

Montera eller demontera flisuppsamlare

Extra tillbehör

⚠ FÖRSIKTIGT: Använd alltid handskar vid montering eller demontering av flisuppsamlaren och sätt på bladskyddet så att händer och ansikte inte kommer i direktkontakt med bladet.

Flisuppsamlaren samlar upp löv och dylikt och gör det lättare att städa upp efter avslutat arbete. Den kan monteras på valfri sida av maskinen.

För att montera flisuppsamlaren trycker man den mot skärbladen så att krokarna passas in i hålen på skärbladen.

► Fig.38: 1. Krok 2. Hål

För att ta bort flisuppsamlaren trycker man på spakarna på båda sidorna för att lossa krokarna.

► Fig.39: 1. Spakar

OBSERVERA: Försök aldrig att demontera flisuppsamlaren genom att trycka på den kraftigt när dess krokar är låsta i hålen på bladen.

ANVÄNDNING

⚠ VARNING: Före klippningen ska alla pinnar och stenar i klippområdet tas bort. Ta också bort ogräs i förväg från klippområdet.

► Fig.40

⚠ VARNING: Håll händerna borta från skärbladen.

⚠ FÖRSIKTIGT: Undvik i mesta möjliga mån att använda maskinen i brännande solsken. Var rädd om dig när du använder maskinen.

Klippning (med kantsax)

Starta maskinen efter justeringen av klipplängden och håll den så att den nedre delen av maskinen vilar på marken. För sedan maskinen försiktigt framåt.

► Fig.41

Vid trimning runt kanter, staket eller träd förs maskinen långs med dessa. Var försiktig så att bladen inte kommer i kontakt med dessa föremål.

► Fig.42

Vid trimning av skott eller löv på små träd bör trimningen ske lite i taget.

► Fig.43

Trimma stora grenar till önskad längd i förväg med grensax innan du använder denna maskin.

OBSERVERA: Använd inte maskinen på ett sätt som gör att motorn stannar eller roterar extremt långsamt.

OBSERVERA: Försök inte att klippa av tjocka grenar.

OBSERVERA: Låt inte skärbladen komma i kontakt med marken under användningen. Bladen blir då slöa och klipper dåligt.

OBSERVERA: Klipp inte vått gräs eller löv på små träd.

Klippa högt gräs

Försök inte att klippa av högt gräs på en och samma gång. Klipp istället gräset i omgångar. Klipp med en eller två dagars mellanrum tills gräsmattan är jämnt klippt.

► Fig.44

OBS: Att klippa av högt gräs helt på en och samma gång kan leda till att gräset dör.

Trimma (med häcksax)

⚠ FÖRSIKTIGT: Var försiktig så att du inte kommer i kontakt med ett metallstängsel eller andra hårda objekt under trimningen. Bladen kommer att gå av och kan orsaka skador.

⚠ FÖRSIKTIGT: Se till att skärbladen inte kommer i kontakt med marken. Verktyget kan då skjuta iväg stenar och dylikt och orsaka skador.

⚠ FÖRSIKTIGT: Att sträcka sig för långt med en häcksax, särskilt från en stege, är extremt farligt. Arbeta inte när du står på ett underlag som inte är fast eller stabilt.

OBSERVERA: Försök inte att klippa av grenar som är tjockare än 10 mm i diameter med maskinen. Klipp stora grenar till 10 cm lägre än klipphöjden med en grensax innan du använder denna maskin.

► Fig.45: (1) Klipphöjd (2) 10 cm

OBSERVERA: Klipp inte ner döda träd eller liknande hårda föremål. Det kan skada maskinen.

OBSERVERA: Trimma inte gräs eller ogräs med skärbladen. Bladen kan trassla in sig i gräset eller ogräset.

Håll maskinen med ena handen, tryck in avtryckaren samtidigt som du trycker ner startspärren och dra den framåt.

► Fig.46

För grundläggande användning, luta bladen i trimningsriktningen och flytta maskinen lugnt och långsamt med en hastighet på 3 till 4 sekunder per meter.

► Fig.47

Knyt ett snöre vid önskad höjd och trimma längs snöret så blir häcken jämnt klippt.

► Fig.48

Om flismottagaren fästs i bladen samlar den upp bortklippta löv och gör det lättare att städa upp efter avslutat arbete.

Klipp underifrån och uppåt för att klippa en häcksida rakt.

► Fig.49

För att trimma något i en rund form (t.ex. buxbom eller rhododendron) trimma från rötterna och uppåt för ett vackert resultat.

► Fig.50

UNDERHÅLL

⚠FÖRSIKTIGT: Se alltid till att maskinen är avstängd och batterikassetten borttagen innan inspektion eller underhåll utförs.

För att upprätthålla produktens SÄKERHET och TILLFÖRLITLIGHET bör allt underhålls- och justeringsarbete utföras av ett auktoriserat Makita servicecenter och med reservdelar från Makita.

Rengöra maskinen

Rengör maskinen genom att torka av damm med en torr trasa, eller en urvriden trasa fuktad med såpvatten.

OBSERVERA: Använd inte bensin, förtunningsmedel, alkohol eller liknande. Missfärgning, deformation eller sprickor kan uppstå.

Underhåll av skärblad

Innan användning eller en gång i timmen under användning bör bladen smörjas med lågviskositetsolja (maskinolja eller smörjolja i sprayform).

► Fig.51

► Fig.52

Avlägsna efter användning damm från båda sidorna av bladet med en trådborste. Torka av med en trasa och smörj sedan bladen med lågviskositetsolja (maskinolja eller smörjolja i sprayform).

► Fig.53

► Fig.54

OBSERVERA: Tvätta inte bladen i vatten. Det kan göra att maskinen rostar eller skadas.

OBSERVERA: Smuts och rost orsakar förhöjd friktion i skärbladet och förkortar användningstiden per batteriladdning.

Förvaring

Krokhålet som finns i maskinens botten är praktiskt för att hänga upp maskinen på en spik eller skruv i väggen. Sätt på bladskyddet på skärbladen så att bladen inte exponeras och riskerar att skadas. Förvara maskinen utom räckhåll för barn. Förvara maskinen på en plats som inte utsätts för fukt eller regn.

► Fig.55: 1. Hål

► Fig.56: 1. Hål

VALFRIA TILLBEHÖR

⚠FÖRSIKTIGT: Följande tillbehör eller tillsatser rekommenderas för användning med den Makita-maskin som denna bruksanvisning avser. Om andra tillbehör eller tillsatser används kan det uppstå risk för personskador. Använd endast tillbehören eller tillsatserna för de syften de är avsedda för.

Kontakta ditt lokala Makita servicecenter om du behöver ytterligare information om dessa tillbehör.

- Skärbladstillsats (för användning som kantsax)
- Skydd för skärblad (för användning som kantsax)
- Gräsuppsamlare (för användning som kantsax)
- Teleskophandtags-tillsats (för användning som kantsax)
- Skärbladstillsats (för användning som häcksax)
- Skydd för skärblad (för användning som häcksax)
- Flisuppsamlare (för användning som häcksax)
- Förvaringsfodral
- Makitas originalbatteri och laddare

OBS: Några av tillbehören i listan kan vara inkluderade i maskinpaketet som standardtillbehör. De kan variera mellan olika länder.

TEKNISKE DATA

Modell:		DUM111
Skjærebredde		110 mm
Slag per minutt		2 500 min ⁻¹
Delenummer for reserveskjæreblad	Gressaks	191N23-4, 195267-4
	Hekktrimmer	191N24-2, 198408-1
Mål (L x B x H)		330 mm x 120 mm x 130 mm
Merkespenning		DC 18 V
Nettovekt		1,4 kg – 1,8 kg

- På grunn av vårt kontinuerlige forsknings- og utviklingsprogram kan spesifikasjonene som oppgis i dette dokumentet endres uten varsel.
- Spesifikasjoner og batteriinnsetts kan variere fra land til land.
- Vekten kan variere avhengig av tilbehøret/tilbehørene, inkludert batteriet. Den letteste og tyngste kombinasjonen, i henhold til EPTA-prosedyre 01/2014, vises i tabellen.

Passende batteri og lader

Batteriinnsetts	BL1815N / BL1820B / BL1830B / BL1840B / BL1850B / BL1860B
Lader	DC18RC / DC18RD / DC18RE / DC18SD / DC18SE / DC18SF / DC18SH

- Noen av batteriene og laderne som er opplistet ovenfor er kanskje ikke tilgjengelige, avhengig av hvor du bor.

⚠ ADVARSEL: Bruk kun de batteriene og laderne som er opplistet ovenfor. Bruk av andre batterier og ladere kan føre til personskader og/eller brann.

Anbefalt ledning koblet til strømkilde

Bærbar lader	PDC01
--------------	-------

- De(n) ledningstilkoblede strømkilden(e) som er oppgitt ovenfor er kanskje ikke tilgjengelige, avhengig av hvor du bor.
- Før du bruker de ledningstilkoblede strømkildene, må du lese instruksjons- og forsiktighetsskilt på dem.

Symboler

Nedenfor ser du symbolene som kan brukes for dette utstyret. Forvis deg om at du forstår hva de betyr, før du begynner å bruke maskinen.

	Vær spesielt forsiktig og oppmerksom.
	Les bruksanvisningen.
	Vær oppmerksom på at objekter kan bli kastet ut.
	Pass på at ingen personer befinner seg i nærheten.
	Skjæreverktøyene fortsetter å kjøre etter at motoren er slått av.
	Må ikke utsettes for fuktighet.
	Bruk vernebriller.



FARE – Hold hendene veg fra bladet.



Kun for EU-land
På grunn av forekomst av farlige komponenter i utstyret, kan avfall fra elektrisk og elektronisk utstyr, akkumulatører og batterier ha en negativ innvirkning på miljøet og menneskers helse. Ikke kast elektriske og elektroniske apparater eller batterier sammen med husholdningsavfall! I samsvar med det europeiske direktivet om avfall fra elektrisk og elektronisk utstyr og om akkumulatører og batterier samt akkumulatører og batterier som skal kastes, samt deres tilpassning til nasjonal lovgivning, skal brukt elektrisk utstyr samt brukte batterier og akkumulatører samles inn separat og leveres til et eget innsamlingssted for kommunalt avfall, som driver virksomhet i samsvar med miljøvernforskriftene. Dette er angis av symbolet med den overkryssede avfallsbeholderen som er plassert på utstyret.



Garantert lydeffektnivå i henhold til EU-direktivet om støy fra utstyr til utendørs bruk.



Lydeffektnivå i henhold til Australia NSW støykontrollforskrift

Riktig bruk

Dette verktøyets er laget for å skjære plenkanter eller spirer.

Støy

Typisk A-vektet lydtryknivå er bestemt i henhold til EN50636-2-94:

DUM111 med skjæreblass for gressaks monteret

Lydtryknivå (L_{pA}): 70 dB (A)

Usikkerhet (K): 1,5 dB (A)

Støynivået under arbeid kan overskride 80 dB (A).

Typisk A-vektet lydtryknivå er bestemt i henhold til EN62841-4-2:

DUM111 med skjæreblass for hekktrimmer monteret

Lydtryknivå (L_{pA}): 70 dB (A)

Usikkerhet (K): 3 dB (A)

Støynivået under arbeid kan overskride 80 dB (A).

MERK: Den/de oppgitte verdien(e) for genererte vibrasjoner har blitt målt i henhold til standard testmetoder, og kan bli brukt til å sammenligne ett verktøy med et annet.

MERK: Den/de angitte verdien(e) for de genererte vibrasjonene kan også brukes til en foreløpig vurdering av eksponeringen.

⚠ ADVARSEL: Bruk hørselsvern.

⚠ ADVARSEL: De genererte vibrasjonene ved faktisk bruk av elektroverktøyet kan avvike fra den/de angitte vibrasjonsverdien(e), avhengig av hvordan verktøyet brukes.

⚠ ADVARSEL: Sørg for å identifisere vernetiltak for å beskytte operatøren, som er basert på et estimat av eksponeringen under de faktiske bruksforholdene (idet det tas hensyn til alle deler av driftssyklusen, dvs. hvor lenge verktøyet er slått av, hvor lenge det går på tomgang og hvor lenge startbryteren faktisk holdes trykket).

Vibrasjoner

Den totale vibrasjonsverdien (triaksial vektorsum) bestemt i henhold EN50636-2-94:

DUM111 med skjæreblass for gressaks monteret

Genererte vibrasjoner (a_h): 2,5 m/s² eller mindre
Usikkerhet (K): 1,5 m/s²

Den totale vibrasjonsverdien (triaksial vektorsum) bestemt i henhold EN62841-4-2:

DUM111 med skjæreblass for hekktrimmer monteret

Genererte vibrasjoner (a_h): 2,5 m/s² eller mindre
Usikkerhet (K): 1,5 m/s²

MERK: Den/de oppgitte verdien(e) for totalt genererte vibrasjoner har blitt målt i henhold til standard testmetoder, og kan bli brukt til å sammenligne ett verktøy med et annet.

MERK: Den/de angitte verdien(e) for totalt genererte vibrasjoner kan også brukes til en foreløpig vurdering av eksponeringen.

⚠ ADVARSEL: De genererte vibrasjonene ved faktisk bruk av elektroverktøyet kan avvike fra den/de angitte vibrasjonsverdien(e), avhengig av hvordan verktøyet brukes og spesielt i forhold til arbeidsstykket som blir behandlet.

⚠ ADVARSEL: Sørg for å identifisere vernetiltak for å beskytte operatøren, som er basert på et estimat av eksponeringen under de faktiske bruksforholdene (idet det tas hensyn til alle deler av driftssyklusen, dvs. hvor lenge verktøyet er slått av, hvor lenge det går på tomgang og hvor lenge startbryteren faktisk holdes trykket).

EFs samsvarserklæring

Gjelder kun for land i Europa

EFs samsvarserklæring er lagt til som vedlegg A i denne bruksanvisningen.

SIKKERHETSADVARSEL

Generelle advarsler angående sikkerhet for elektroverktøy

⚠ ADVARSEL: Les alle sikkerhetsadvarsler, instruksjoner, illustrasjoner og spesifikasjoner som følger med dette elektroverktøyet. Hvis ikke alle instruksjonene nedenfor følges, kan det forekomme elektrisk støt, brann og/eller alvorlig skade.

Oppbevar alle advarsler og instruksjoner for senere bruk.

Uttrykket «elektrisk verktøy» i advarslene refererer både til elektriske verktøy (med ledning) tilkoblet strømmnett, og batteridrevne verktøy (uten ledning).

Sikkerhetsanvisninger for batteridrevet gressaks

Generelle anvisninger

1. **Av sikkerhetshensyn er det absolutt nødvendig at brukeren leser denne bruksanvisningen nøye for å bli fortrolig med hvordan utstyret skal håndteres.** Utilstrekkelige kunnskaper kan føre til at brukeren utsetter seg selv og andre personer for fare ved uforsiktig håndtering.
2. **Du må ikke la barn, personer med nedsatte fysiske evner, sansesevner eller mentale evner, personer som mangler erfaring og kunnskap, eller personer som ikke er kjent med disse anvisningene, bruke maskinen.** Lokale bestemmelser kan begrense operatørens alder.
3. **Utstyret må brukes med største forsiktighet og oppmerksomhet.**
4. **Bruk utstyret kun hvis du er i god fysisk form. Utfør alt arbeid rolig og forsiktig. Bruk sunn fornuft, og husk at operatøren er ansvarlig for ulykker eller farer som berører andre mennesker eller deres eiendom.**

5. Aldri bruk maskinen mens uvedkommende (særlig barn og kjæledyr) er til stede.
6. Motoren skal slås av omgående hvis utstyret viser tegn til problemer eller uventet oppførsel.
7. Slå av utstyret, og ta ut det oppladbare batteriet når du tar en hvil, eller når du lar utstyret være uten tilsyn, og legg det på et sikkert sted for å unngå å utsette andre mennesker for fare, eller at utstyret blir skadet.
8. Unngå å bruke maskinen under dårlige værforhold, spesielt hvis det er fare for lyn.
7. Hvis skjæreverktøyet kommer i kontakt med steiner eller andre harde gjenstander, må du slå av motoren omgående og kontrollere skjæreverktøyet.
8. Kontroller skjæreverktøyet med jevne mellomrom med tanke på skader (smale sprekker kan oppdages med en banketest).
9. Før du begynner ryddingen, må skjæreverktøyet ha nådd full driftshastighet.
10. Skjæreverktøyet må utstyres med det riktige vernet. Utstyret må aldri kjøres med ødelagte vern eller uten at vernene er montert!

Personlig verneutstyr

1. Du må alltid ha på deg vernebriller og solide sko når du bruker maskinen.
2. Du må alltid ha på deg solid fottøy og lange benklær når du bruker maskinen.

Starte utstyret

1. Pass på at det ikke er barn eller uvedkommende til stede. Vær også oppmerksom på eventuelle dyr i nærheten. Ellers må du slutte å bruke utstyret.
2. Før bruk må du kontrollere at det vil være trygt å bruke utstyret. Kontroller at skjæreverktøyet er trygt å bruke, og at vernet og startbryteren/hendelen fungerer lett og på riktig måte. Kontroller at håndtakene er rene og tørre, og test start/stopp-funksjonen.
3. Kontroller utstyret med tanke på skadde deler, før du ev. fortsetter å bruke det. Du må foreta en grundig sjekk av ev. skadde deler, som vern eller lignende, for å fastslå om de vil fungere som de skal og oppfylle sin tiltenkte funksjon. Kontroller at bevegelige deler beveger seg riktig i forhold til hverandre, at bevegelige deler kan bevege seg fritt, om noen deler er brukket, om monteringen er som den skal, eller om andre forhold kan påvirke utstyrets funksjon. Et vern eller en annen del som er skadet, må repareres ordentlig eller skiftes av et autorisert servicesenter, med mindre det står noe annet i denne håndboken.
4. Motoren må kun slås på når hender og føtter er i god avstand fra skjæreverktøyet.
5. Før du starter, må du kontrollere at skjæreverktøyet ikke berører andre gjenstander.

Bruksmåte

1. Utstyret må kun brukes i godt lys og med god sikt. Om vinteren må du være oppmerksom på glatte eller våte områder, is og snø (fare for å skli). Sørg alltid for å ha godt fotfeste i bakker, og du må gå, aldri løpe.
2. Ta nødvendige forholdsregler for å unngå at skjæreverktøyet skader føtter eller hender.
3. Du må aldri bruke utstyret mens du står i en stige.
4. Ikke klatre opp i trær for å kutte greiner, o.l. med utstyret.
5. Arbeid aldri på ustabil underlag.
6. Fjern sand, steiner, spiker, osv. du finner innenfor arbeidsområdet. Fremmedlegemer kan ødelegge skjæreverktøyet og forårsake fare for tilbakeslag.

11. Alle beskyttelsesdeler og vern som fulgte med utstyret, må være montert under bruk.
12. Ta alltid batteriet ut av utstyret:
 - når du lar utstyret være uten tilsyn,
 - før du fjerner ting som har satt seg fast,
 - før du kontrollerer, renser eller utfører arbeid på utstyret,
 - etter at du har slått borti et fremmedlegeme,
 - når utstyret begynner å vibrere unormalt kraftig.
13. Pass på at ventilasjonsåpningene alltid holdes fri for rusk og rask.
14. Skjæreverktøyene fortsetter å kjøre etter at motoren er slått av.
15. Hvis bladene slutter å bevege seg på grunn av fremmedlegemer som sitter fast mellom bladene under drift, må du slå av verktøyet og ta ut batterikassetten, og deretter fjerne fremmedlegemene med et verktøy slik som for eksempel en tang. Å fjerne greiner eller avfall som har satt seg fast med hendene, kan medføre til en personskade, da sagbladene kan bevege seg som reaksjon på at fremmedlegemene fjernes.

Skjæreverktøy

Bruk kun skjæreverktøyet som er riktig for jobben som skal utføres.

Vedlikeholdsanvisning

1. Tilstanden til utstyret, særlig skjæreverktøyet beskyttelsesdeler, må kontrolleres før arbeidet påbegynnes.
2. Slå av motoren, og fjern det oppladbare batteriet før du utfører vedlikehold, skifter ut skjæreverktøyet eller rengjør utstyret/skjæreverktøyet.
3. Når utstyret ikke er i bruk, skal det oppbevares tørt og høyt eller innelåst – utilgjengelig for barn. Rengjør utstyret og vedlikehold det før du setter det til oppbevaring.

TA VARE PÅ DISSE INSTRUKSENE.

⚠ ADVARSEL: IKKE LA hensynet til hva som er "behagelig" eller det faktum at du kjenner produktet godt (etter mange gangers bruk) gjøre deg mindre oppmerksom på sikkerhetsreglene for bruken av det aktuelle produktet. Ved MISBRUK eller hvis ikke sikkerhetsreglene i denne bruksanvisningen følges, kan det oppstå alvorlig personskade.

Sikkerhetsadvarsler for batteridrevet hekktrimmer

1. **Hold alle deler av kroppen borte fra bladet. Ikke forsøk å fjerne kapp eller å holde fast materiale som skal kuttes, mens bladene er i bevegelse.** Bladene fortsetter å bevege seg etter at bryteren slås av. Et øyeblikks uoppmerksomhet mens du bruker hekktrimmeren kan være nok til å forårsake alvorlige personskader.
2. **Bær hekktrimmeren i håndtaket med bladet stoppet, og pass på at du ikke kommer borti noen strømbryter.** Hvis du bærer hekktrimmeren på riktig måte, reduserer du faren for å starte den utilsiktet og slik at bladene forårsaker personskader.
3. **Før transport eller oppbevaring av hekktrimmeren må bladdekslet alltid settes på.** Korrekt håndtering av hekktrimmeren vil redusere faren for at bladene forårsaker personskader.
4. **Før du fjerner materiale som har satt seg fast eller utfører service på enheten, må du kontrollere at alle strømbrytere er slått av og at batteriet er tatt ut eller frakoblet.** Utilsiktet start av hekktrimmeren under fjerning av materiale som har satt seg fast eller utførelse av service, kan føre til alvorlige personskader.
5. **Hekktimmeren skal kun holdes i de isolerte håndtakene, ettersom bladet kan komme i kontakt med skjulte ledninger.** Hvis bladene kommer i kontakt med en strømførende ledning, kan metalldelene på hekktrimmeren bli strømførende og føre til at brukeren får støt.
6. **Hold alle strømledninger og kabler unna arbeidsområdet.** Strømledninger eller kabler kan være skjult av hekker eller busker, og kan utilsiktet bli kappet av bladet.
7. **Ikke bruk hekktrimmeren under dårlige værforhold, spesielt hvis det er fare for lyn.** Dette reduserer faren for å bli truffet av lynet.

Flere sikkerhetsanvisninger

Klargjøring

1. **Kontroller at det ikke er noen fremmedlegemer i hekkene eller buskene, som piggråd eller skjulte kabler.**
2. **Verktøyet må ikke brukes av barn eller unge under 18 år.** Det kan gjøres unntak for ungdom over 16 år hvis de får opplæring under overoppsyn av en ekspert.
3. **Førstegangsbrukere skal få en erfaren bruker til å vise dem hvordan verktøyet skal brukes.**
4. **Bruk verktøyet bare hvis du er i god fysisk form.** Tretthet fører til uaktsomhet. Vær spesielt forsiktig på slutten av arbeidsdagen. Utfør alt arbeid rolig og forsiktig. Brukeren er ansvarlig for all skader på tredjepart.
5. **Du må aldri bruke verktøyet når du har drukket alkohol eller tatt rusmidler eller medikamenter.**
6. **Arbeidshansker av kraftig skinn inngår i det grunnleggende utstyret til verktøyet og må alltid brukes under arbeidet med den.** Bruk også robuste sko med sklisikre såler.

7. **Før du begynner å jobbe, må du kontrollere at verktøyet er funksjonsdyktig og i god stand.** Påse at vernene er satt skikkelig på. Verktøyet må ikke brukes med mindre det er satt helt sammen.

Bruk

1. **Hold verktøyet i et fast grep når du bruker det.**
2. **Verktøyet er beregnet på bruk på bakkenivå. Ikke bruk verktøyet i stiger eller andre ustabile bæregredskaper.**
3. **Ikke ha på flere belteseler og/eller skulderseler samtidig når du bruker verktøyet.**
4. **FARE - Hold hendene unna bladet.** Kontakt med bladet vil forårsake alvorlig personskade.
5. **Ikke bruk verktøyet når det regner eller når luftfuktigheten er veldig høy.** Den elektriske motoren er ikke vanntett.
6. **Sørg for å ha godt fofeste før du begynner arbeidet.**
7. **Ikke bruk verktøyet uten belastning, hvis det ikke er nødvendig.**
8. **Slå av verktøyet, og fjern batteriet hvis skjærebladene skulle komme i kontakt med et gjerde eller andre harde gjenstander.** Kontroller bladene med tanke på skader, og skift i så fall ut bladene omgående.
9. **Før du kontrollerer skjærebladene med tanke på feil eller fjerner materiale som har satt seg fast i skjærebladene, må du alltid slå av verktøyet og fjerne batteriet.**
10. **Du må aldri rette skjærebladene mot deg selv eller andre.**
11. **Hvis bladene slutter å bevege seg på grunn av fremmedlegemer som sitter fast mellom bladene under drift, må du slå av verktøyet og ta ut batterikassetten, og deretter fjerne fremmedlegemene med et verktøy slik som for eksempel en tang.** Å fjerne greiner eller avfall som har satt seg fast med hendene, kan medføre til en personskade, da sagbladene kan bevege seg som reaksjon på at fremmedlegemene fjernes.
12. **Unngå farlige omgivelser. Ikke bruk utstyret i fuktige eller våte omgivelser, og ikke utsett det for regn.** Hvis det kommer vann inn i verktøyet, vil risikoen for elektriske støt øke.

Vedlikehold og oppbevaring

1. **Slå av verktøyet, og fjern batteriet før du utfører vedlikeholdsarbeid.**
2. **Når du flytter verktøyet til et annet sted, inkludert under arbeid, må du alltid fjerne batteriet og dekke skjærebladene med bladdekslet.** Verktøyet må aldri bæres eller transporteres mens bladene svinger. Grip aldri om bladene med hendene.
3. **Rengjør verktøyet, og særlig skjærebladene, etter bruk og før du setter bort verktøyet for oppbevaring for en lengre periode.** Olje bladene forsiktig, og sett på bladdekslet.
4. **Oppbevar verktøyet med bladdekslet på i et tørt rom.** Oppbevar den utilgjengelig for barn. Verktøyet må aldri oppbevares utendørs.
5. **Ikke kast batteriet (batteriene) på åpen ild.** Cellen kan eksplodere. Batterier skal leveres til en forhandler av elektroutstyr eller til et kommunalt avfallsmottak.

- Ikke åpne eller ødelegg batteriet (batteriene). Elektrolytt som lekker ut er korroderende og kan forårsake skader på øyne og hud. Den kan være giftig hvis den svelges.
- Ikke skift batteri når det regner, eller i fuktige omgivelser.

TA VARE PÅ DISSE INSTRUKSENE.

⚠ADVARSEL: IKKE LA hensynet til hva som er "behagelig" eller det faktum at du kjenner produktet godt (etter mange gangers bruk) gjøre deg mindre oppmerksom på sikkerhetsreglene for bruken av det aktuelle produktet. Ved MISBRUK eller hvis ikke sikkerhetsreglene i denne bruksanvisningen følges, kan det oppstå alvorlig personskade.

Viktige sikkerhetsanvisninger for batteriinnsats

- Før du begynner å bruke batteriet, må du lese alle anvisninger og forsiktighetsregler på (1) batteriladeren, (2) batteriet og (3) det produktet batteriet skal brukes i.
- Ikke demonter eller tukle batteriet. Det kan føre til brann, overoppheting eller eksplosjon.
- Hvis driftstiden er blitt vesentlig kortere, må du omgående slutte å bruke maskinen. Hvis ikke kan resultatet bli overoppheting, mulige forbrenninger eller til og med en eksplosjon.
- Hvis du får elektrolytt i øynene, må du skylle dem med store mengder rennende vann og oppsøke lege med én gang. Denne typen uhell kan føre til varig blindhet.
- Ikke kortslett batteriet:
 - De kan være ekstremt varme og du kan brenne deg.
 - Ikke lagre batteriet i samme beholder som andre metallgjenstander, som for eksempel spiker, mynter osv.
 - Ikke la batteriet komme i kontakt med vann eller regn.

En kortslutning av batteriet kan føre til et kraftig strømstøt, overoppheting, mulige forbrenninger og til og med til at batteriet går i stykker.
- Ikke oppbevar og bruk verktøyet og batteriet på steder hvor temperaturen kan komme opp i eller overskride 50 °C.
- Ikke sett fyr på batteriet, ikke engang om det er sterkt skadet eller helt utslitt. Batteriet kan eksplodere hvis det begynner å brenne.
- Du må ikke spikre, skjære, klemme, kaste eller miste batteriet, og heller ikke slå en hard gjenstand mot batteriet. En slik oppførsel kan føre til brann, overoppheting eller eksplosjon.
- Ikke bruk batterier som er skadet.
- Lithium-ion-batteriene som medfølger er gjenstand for krav om spesialavfall.
For kommersiell transport, f.eks av tredjeparter eller speditorer, må spesielle krav om pakking og merking følges.

Før varen blir sendt, må du forhøre deg med en ekspert på farlig materiale. Ta også hensyn til muligheten for mer detaljerte nasjonale bestemmelser.

Bruk teip eller maskeringsteip for å skjule åpne kontakter og pakk inn batteriet på en slik måte at den ikke kan bevege seg rundt i emballasjen.

- Når du kasserer batteriinnsatsen, må du ta den ut av verktøyet og avhende den på et sikkert sted. Følg lokale bestemmelser for avhending av batterier.
- Bruk batteriene kun med produkter spesifisert av Makita. Montere batteriene i produkter som ikke er konforme kan føre til brann, overheting eller elektrolyttlekkasje.
- Hvis verktøyet ikke skal brukes over en lengre periode, må batteriet tas ut av verktøyet.
- Under og etter bruk kan batteriet bli varmt og før til brannskader. Vær forsiktig med håndteringen av varme batterier.
- Ikke berører terminalen på verktøyet rett etter bruk, da den kan bli varm og forårsake brannskader.
- Ikke la spon, støv eller jord sette seg fast i terminalene, hullene og sporene i batteriet. Det kan føre til dårlig ytelse eller at verktøyet eller batteriet slutter å fungere.
- Med mindre verktøyet støtter bruk nær en høyspent strømlinje, skal ikke batteriet brukes nær en høyspent strømlinje. Det kan føre til en funksjonsfeil eller at verktøyet eller batteriet slutter å fungere.
- Oppbevar batteriet utilgjengelig for barn.

TA VARE PÅ DISSE INSTRUKSENE.

⚠FORSIKTIG: Bruk kun originale Makita-batterier. Bruk av batterier som har endret seg, eller som ikke er originale Makita-batterier, kan føre til at batteriet sprekker og forårsaker brann, personskader og andre skader. Det vil også ugyldiggjøre garantien for Makita-verktøyet og -laderen.

Tips for å opprettholde maksimal batterilevetid

- Lad batteriinnsatsen før den er helt utladet. Stopp alltid driften av verktøyet og lad batteriinnsatsen når du merker at effekten reduseres.
- Lad aldri en batteriinnsats som er fulladet. Overopplading forkorter batteriets levetid.
- Lad batteriet i romtemperatur ved 10 °C - 40 °C. Et varmt batteri må kjøles ned før lading.
- Når batteriet ikke er bruk, skal det tas ut av verktøyet eller laderen.
- Lad batteriet hvis det ikke har vært brukt på en lang stund (over seks måneder).

FUNKSJONSBEKRIVELSE

⚠️FORSIKTIG: Forviss deg alltid om at maskinen er slått av og batteriet tatt ut før du justerer maskinen eller kontrollerer dens mekaniske funksjoner.

Bruke verktøyet som batteridrevet hekktrimmer

Dette verktøyet kan brukes som en batteridrevet hekktrimmer ved å montere skjærebladene for hekktrimmer.

Sette inn eller ta ut batteri

⚠️FORSIKTIG: Slå alltid av verktøyet før du setter inn eller fjerner batteriet.

⚠️FORSIKTIG: Hold verktøyet og batteripatronen i et fast grep når du monterer eller fjerner batteripatronen. Hvis du ikke holder verktøyet og batteripatronen godt fast, kan du miste grepet, og dette kan føre til skader på verktøyet og batteripatronen samt personskafer.

► **Fig. 1:** 1. Rød indikator 2. Knapp 3. Batteriinnsetts

For å ta ut batteriet må du skyve på knappen foran på batteriet og trekke det ut.

Når du skal sette inn batteriet, må du plassere tungen på batteriet på linje med sporet i huset og skyve batteriet på plass. Skyv det helt inn til det går i inngrep med et lite klikk. Hvis du kan se den røde indikatoren som vist i figuren, er det ikke helt låst.

⚠️FORSIKTIG: Batteriet må alltid settes helt inn, så langt at den røde indikatoren ikke lenger er synlig. Hvis dette ikke gjøres, kan batteriet falle ut av verktøyet og skade deg eller andre som oppholder seg i nærheten.

⚠️FORSIKTIG: Ikke bruk makt når du setter i batteriet. Hvis batteriet ikke glir lett inn, er det fordi det ikke settes inn på riktig måte.

Indikere gjenværende batterikapasitet

Kun for batterier med indikatoren

► **Fig. 2:** 1. Indikatorlamper 2. Kontrollknapp

Trykk på sjekk-knappen på batteriet for vise gjenværende batterikapasitet. Indikatorlampene lyser i et par sekunder.

Indikatorlamper			Gjenværende batterinivå
Tent	Av	Blinker	
■	□	◻	
■ ■ ■ ■			75 % til 100 %
■ ■ ■ □			50 % til 75 %
■ ■ □ □			25 % til 50 %
■ □ □ □			0 % til 25 %
◻ □ □ □			Lad batteriet.

Indikatorlamper			Gjenværende batterinivå
Tent	Av	Blinker	
■	□	◻	
■ ■ □ □			Batteriet kan ha en feil.
□ □ ■ ■			

MERK: Det angitte nivået kan avvike noe fra den faktiske kapasiteten alt etter bruksforholdene og den omgivende temperaturen.

MERK: Den første (helt til venstre) indikatorlampe vil blinke når batterivernsystemet fungerer.

Batterivernsystem for verktøy/batteri

Verktøyet er utstyrt med et batterivernsystem for verktøy/batteri. Dette systemet kutter automatisk strømmen til motoren for å forlenge verktøyets og batteriets levetid. Verktøyet stopper automatisk under drift hvis verktøyet eller batteriet utsettes for en av følgende tilstander:

Overlastsikring

Når batteriet brukes på en måte som gjør at det bruker unormalt mye strøm, vil verktøyet stoppe automatisk. I dette tilfellet må du slå av verktøyet og avslutte bruken som forårsaket at verktøyet ble overbelastet. Slå deretter verktøyet på for å starte det igjen.

Overopphetingsvern

Når batteriet blir overopphetet, stopper verktøyet automatisk. I dette tilfellet lar du verktøyet og batteriet avkjøles før du starter verktøyet på nytt.

Overutladingsvern

Når det blir batterikapasiteten er utilstrekkelig, stopper verktøyet automatisk. I så fall fjerner du batteriet fra verktøyet og lader det.

Bryterfunksjon

⚠️ADVARSEL: Før du setter batteriet inn i maskinen, må du alltid kontrollere at startbryteren aktiverer maskinen på riktig måte og går tilbake til «AV»-stilling når den slippes.

⚠️ADVARSEL: Av hensyn til din egen sikkerhet er dette verktøyet utstyrt med en AV-sperreknapp som forhindrer utilsikket start av verktøyet. Verktøyet må aldri brukes hvis det begynner å gå bare du trykker på startbryteren, uten at du må trykke på AV-sperreknappen i tillegg. Be nærmeste Makita-servicesenter om å reparere det.

⚠️ADVARSEL: Du må aldri deaktivere låsefunksjonen eller teipe fast AV-sperreknappen.

OBS: Ikke trykk hardt på startbryteren uten å trykke på AV-sperreknappen. Bryteren kan bli ødelagt.

► **Fig. 3:** 1. Startbryter 2. AV-sperreknapp

For å unngå at noen drar i startbryteren ved en feiltakelse er verktøyet utstyrt med en AV-sperreknapp. Trykk på AV-sperreknappen og startbryteren for å starte verktøyet. Slipp bryteren når du vil stanse verktøyet. AV-sperreknappen kan trykkes fra enten høyre eller venstre side.

Indikatorlampe

Indikatorlampen blinker eller tennes når resterende batterinivå er lavt eller batteriet er tomt. Indikatorlampen tennes også når verktøyet blir overbelastet.

► **Fig.4:** 1. Indikatorlampe

Lampestatus og tiltak som må iverksettes

Indikatorlampe	Status	Tiltak som må iverksettes
Lampen blinker rødt.	Lavt resterende batterinivå.	Lad batteriet.
Lampen tennes og lyser rødt. *	Verktøyet har stanset fordi batteriet er tomt.	Lad batteriet.
	Verktøyet har stanset på grunn av overbelastning.	Slå av verktøyet.

* På hvilket tidspunkt indikatorlampen tennes, varierer avhengig av temperaturen omkring arbeidsområdet og batteritilstanden.

Justere kutthøyden (for gressaks)

Valgfritt tilbehør

⚠FORSIKTIG: Når du endrer kutthøyden, må du passe på å sette på bladdekelet og unngå å sette fingrene fast mellom verktøyet og gressoppsamleren.

Kutthøyden kan stilles inn på tre nivåer (15 mm, 20 mm og 25 mm) ved å endre gressoppsamlerens faste posisjon. Kutthøyden uten gressoppsamleren er omtrent 10 mm.

1. Skyv gressoppsamleren mot forsiden av verktøyet.

► **Fig.5:** 1. Gressoppsamler

2. Endre gressoppsamlerens faste posisjon ved å flytte den i pilens retning.

► **Fig.6**

MERK: Kutthøydeverdien er veiledende. Den faktiske kutthøyden kan variere avhengig av tilstanden til plenen eller underlaget.

MERK: Utfør en prøvecutting på et mindre iøynefallende sted for å oppnå den høyden du ønsker.

MONTERING

⚠FORSIKTIG: Forviss deg alltid om at maskinen er slått av og batteriet tatt ut før du utfører noe arbeid på maskinen.

⚠FORSIKTIG: Når du skifter ut skjærebladene, må du alltid bruke hansker og sette på bladdekelet slik at hendene og ansiktet ikke kommer i direkte kontakt med bladene.

OBS: Når du skifter du skjærebladene, må du ikke tørke fett av giret eller veivakselen.

Montere eller fjerne bladdekelet

⚠FORSIKTIG: Pass på at du ikke berører bladene når du setter på eller fjerner bladdekelet.

Når du skal ta av bladdekelet, drar du forsiktig i det før du skyver det sidelengs. Du kan montere bladdekelet ved å utføre trinnene i motsatt rekkefølge.

► **Fig.7**

Montere eller fjerne gressoppsamleren

Valgfritt tilbehør

⚠FORSIKTIG: Når du monterer eller fjerner gressoppsamleren, må du passe på å sette på bladdekelet og unngå å sette fingrene fast mellom verktøyet og gressoppsamleren.

Montere gressoppsamleren

1. Hekt gressoppsamlerens hengsel i verktøyet's spor.

► **Fig.8:** 1. Hengsel 2. Gressoppsamler

2. Innrett fremspringene på gressoppsamleren med sporene på verktøyet ved å skyve gressoppsamleren mot forsiden av verktøyet og flytte den i pilens retning.

► **Fig.9**

OBS: Ikke bruk makt når du fester gressoppsamlerens hengsel til verktøyet etter å ha innrettet fremspringene på gressoppsamleren med sporene på verktøyet.

Fjerne gressoppsamleren

1. Frigjør fremspringene på gressoppsamleren fra sporene på verktøyet, samtidig som du skyver gressoppsamleren mot forsiden av verktøyet.

► **Fig.10:** 1. Gressoppsamler

2. Frigjør gressoppsamlerens hengsel fra verktøyet.

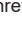

Montere eller fjerne skjærebladene for gressaks

OBS: Hvis det er andre deler enn sagbladene som er utslitt, som f.eks. veivakselen, ta kontakt med et autorisert Makita servicesenter for nye deler eller reparasjon.

Fjerne skjærebladene

1. Fjern gressoppsamleren hvis den er montert. Plasser verktøyet opp ned.

► **Fig.11**

2. Trykk inn sperreknappen, og dreii underdekelet mot klokken til  på underdekelet er innrettet med  på sperreknappen.

► **Fig.12:** 1. Underdeksel 2. Sperreknapp

3. Fjern underdekelet, skjærebladene og veivakselen.

► **Fig.13:** 1. Underdeksel 2. Skjæreblader 3. Veivaksel

Montere skjærebladene

1. Gjør klar veivakselen, underdekelet og de nye skjærebladene.

► **Fig.14:** 1. Veivaksel 2. Underdeksel
3. Skjæreblader

2. Fjern bladdekelet fra de gamle skjærebladene, og fest det deretter på de nye.

► **Fig.15:** 1. Bladdeksel

3. Juster de tre stiftene slik at de står i rett vinkel i forhold til justeringslinjen.

► **Fig.16:** 1. Justeringslinje

4. Påfør en liten mengde fett på veivakselens ytterflate. Fest veivakselen til stiftene slik at slik at de små og store rundingene vender oppover.

► **Fig.17:** 1. Veivaksel



5. Juster bladene og føringsplaten slik at hullet i føringsplaten og de to fremspringene på bladene innrettes.

► **Fig.18:** 1. Føringsplate



6. Snu skjærebladene opp ned, og monter dem slik at verktøystiftene går inn i hullet på føringsplaten. Sørg for at skjærebladene er godt festet på riktig sted.

► **Fig.19:** 1. Føringsplate

MERK: Å skyve bladdekelet litt fremover gjør det lettere å montere skjærebladene.

7. Plasser underdekelet slik at  på underdekelet er innrettet med  på sperreknappen.

► **Fig.20:** 1. Underdeksel 2. Sperreknapp

8. Trykk inn underdekelet, og dreier underdekelet med klokken til  på underdekelet er innrettet med  på sperreknappen.

► **Fig.21:** 1. Underdeksel 2. Sperreknapp

9. Sørg for at sperreknappen sitter i sporet på underdekelet.

► **Fig.22:** 1. Sperreknapp

⚠FORSIKTIG: Underdekelet skal alltid være montert på verktøyet under bruk.

10. Fjern bladdekelet, og slå deretter på verktøyet for å kontrollere at det fungerer som det skal.

OBS: Hvis skjærebladene ikke fungerer som de skal, griper bladene ikke riktig inn i veivakselen. Fjern bladene, og monter dem på nytt.

Montere eller fjerne skjæreblader for hekktrimmer



⚠FORSIKTIG: Fest bladdekelet før du fjerner eller monterer skjærebladene.

OBS: Hvis det er andre deler enn sagbladene som er utslitt, som f.eks. veivakselen, ta kontakt med et autorisert Makita servicesenter for nye deler eller reparasjon.

Fjerne skjærebladene

1. Plasser verktøyet opp ned.

► **Fig.23**

2. Trykk inn sperreknappen, og dreier underdekelet mot klokken til  på underdekelet er innrettet med  på sperreknappen.

► **Fig.24:** 1. Sperreknapp 2. Underdeksel

3. Fjern underdekelet.

► **Fig.25:** 1. Underdeksel

4. Løsne de to skruene med en skrutrekker, og fjern skjærebladene.

► **Fig.26:** 1. Skruer

MERK: Skjærebladene kan fjernes uten å fjerne skruene.

5. Fjern veivakselen fra skjærebladene.

► **Fig.27:** 1. Veivaksel

MERK: Veivakselen kan bli værende i verktøyet.

MERK: Fest bladdekelet og oppbevaringsetuiet til skjærebladene som er fjernet, og sett bladene til oppbevaring.

Montere skjæreblader

1. Gjør klar veivakselen, underdekelet og de nye skjærebladene.

► **Fig.28:** 1. Veivaksel 2. Underdeksel
3. Skjæreblader

2. Fest bladdekelet til skjærebladene.

► **Fig.29:** 1. Bladdeksel

3. Juster de tre stiftene slik at de står i rett vinkel i forhold til justeringslinjen.

► **Fig.30:** 1. Justeringslinje

4. Påfør en liten mengde fett på veivakselens ytterflate. Fest veivakselen til stiftene slik at slik at små og store rundingene vender nedover.

► **Fig.31:** 1. Veivaksel

5. Skyv skjærebladene slik at hullet i føringsplaten plasseres i midten av bladenes ringer.

► **Fig.32:** 1. Føringsplate


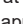
6. Snu skjærebladene opp ned, og monter dem slik at verktøystiften går inn i hullet på skjærebladene. Sett kroken på føringsplaten inn i sporet på verktøyet. Sørg for at skjærebladene er godt festet på riktig sted.

► **Fig.33:** 1. Krok 2. Føringsplate



MERK: Å skyve bladdekelet litt fremover gjør det lettere å montere skjærebladene.

7. Stram de to skruene godt med en skrutrekker.

► **Fig.34:** 1. Skruer

8. Plasser underdekelet slik at  på underdekelet er innrettet med  på sperreknappen.

► **Fig.35:** 1. Sperreknapp 2. Underdeksel

9. Trykk inn underdekselet, og dreier underdekselet med klokken til  på underdekselet er innrettet med  på sperreknappen.

► **Fig.36:** 1. Underdeksel

10. Sørg for at sperreknappen sitter i sporet på underdekselet.

► **Fig.37:** 1. Sperreknapp

⚠FORSIKTIG: Underdekselet skal alltid være montert på verktøyet under bruk.

11. Fjern bladdekslet, og slå deretter på verktøyet for å kontrollere om det fungerer som det skal.

OBS: Hvis skjærebladene ikke fungerer som de skal, griper bladene ikke riktig inn i veivakselen. Fjern bladene, og monter dem på nytt.

Montere eller fjerne flisoppsamleren

Valgfritt tilbehør

⚠FORSIKTIG: Når du monterer eller fjerner flisoppsamleren, må du alltid bruke hansker og sette på bladdekslet slik at hendene og ansiktet ikke kommer i direkte kontakt med bladet.

Flisoppsamleren samler opp løv og gjør oppryddingen i etterkant mye enklere. Den kan monteres på begge sider av verktøyet.

Når du skal montere flisoppsamleren, trykker du den mot skjærebladene slik at krokene går inn i hullene i skjærebladene.

► **Fig.38:** 1. Kroker 2. Hull

Når du skal fjerne flisoppsamleren, trykker på hendlene på begge sider for å frigjøre krokene.

► **Fig.39:** 1. Hendler

OBS: Ikke prøv å fjerne flisoppsamleren ved å bruke makt mens krokene er festet i hullene i bladene.

BRUK

⚠ADVARSEL: Før kutting må du fjerne pinner og steiner fra kuttområdet. I tillegg må du fjerne eventuelt ugress fra kuttområdet på forhånd.

► **Fig.40**

⚠ADVARSEL: Hold hendene unna bladene.

⚠FORSIKTIG: Unngå å bruke verktøyet i svært varmt vær så sant det lar seg gjøre. Ikke bruk verktøyet hvis du føler deg uvel.

Kutte (gressaks)

Når du har justert kutthøyden, slår du på verktøyet og holder det slik at bunnen av verktøyet hviler på bakken. Beveg verktøyet forsiktig fremover.

► **Fig.41**

Når du beskjærer rundt kantstein, gjerder eller trær, beveger verktøyet langs dem. Pass på at bladene ikke kommer i kontakt med dem.

► **Fig.42**

Når du beskjærer knopper eller løvverk på små trær, kutter du lite om gangen.

► **Fig.43**

Beskjær greiner til ønsket høyde ved hjelp av en greinsaks før du bruker dette verktøyet.

OBS: Ikke bruk verktøyet på en måte som får motoren til å stanse eller rotere svært sakte.

OBS: Ikke forsøk å kutte tykke greiner.

OBS: Ikke la skjærebladene komme i kontakt med bakken mens du kutter. Bladene vil sløves, og ytelsen vil bli dårlig.

OBS: Ikke beskjær vått gress eller løvverk på små trær.

Kutte langt gress

Ikke forsøk å kutte langt gress i én omgang. Det er bedre å kutte gresset trinnvis. La det gå en dag eller to mellom hver kutting, til plenen blir jevnt kort.

► **Fig.44**

MERK: Hvis gresset kuttet kort i én omgang, kan det føre til at gresset dør.

Beskjære (hekktrimmer)

⚠FORSIKTIG: Vær forsiktig så du ikke utilsikket kommer borti et metallgjerde eller andre harde gjenstander mens du beskjærer hekken. Bladene kan brette og forårsake personskade.

⚠FORSIKTIG: Ikke la skjærebladene komme i kontakt med bakken. Verktøyet kan slå tilbake og forårsake personskade.

⚠FORSIKTIG: A lene seg ut over noe med en hekktrimmer, særlig fra en stige, er svært farlig. Når du jobber, må du ikke stå på noe som er ustøtt eller ustabil.

OBS: Ikke forsøk å beskjære greiner som er tykkere enn 10 mm i diameter med verktøyet. Kutt greiner til 10 cm lavere enn klippehøyden ved hjelp av en greinsaks før du bruker verktøyet.

► **Fig.45:** (1) klippehøyde (2) 10 cm

OBS: Ikke fell trær eller kutt lignende harde gjenstander. Det kan skade verktøyet.

OBS: Ikke kutt gress eller ugress med skjærebladene. Bladene kan vikle seg inn i gresset eller ugresset.

Hold verktøyet med én hånd, trykk på startbryteren mens du trykker på AV-sperreknappen, og beveg det deretter fremover.

► Fig.46

En grunnleggende arbeidsoperasjon består i å vippe bladene den veien beskjæringen skal utføres, og bevege trimmeren sakte og rolig med en hastighet på 3 til 4 i sekundet.

► Fig.47

Fest en snor i ønsket høyde og beskjær langs den, så blir det enklere å kutte toppen av hekken jevnt.

► Fig.48

Hvis flisoppsamleren er festet til bladene, samler den opp løv og gjør oppryddingen i etterkant mye enklere.

For å kutte siden av en hekk jevnt, kutter du fra bunnen og opp til toppen.

► Fig.49

Når du beskjærer for å lage en rund form (beskjæring av buksbom eller rododendron, osv.), beskjærer du fra roten til toppen for en pen avslutning.

► Fig.50

VEDLIKEHOLD

⚠FORSIKTIG: Forviss deg alltid om at maskinen er slått av og batteriet tatt ut før du foretar inspeksjon eller vedlikehold.

For å opprettholde produktets SIKKERHET og PÅLITELIGHET, må reparasjoner, vedlikehold og justeringer utføres av autoriserte Makita servicesentre eller fabrikkerservicesentre, og det må alltid brukes reservedeler fra Makita.

Rengjøre verktøyet

Rengjør verktøyet ved å tørke bort støv med en tørr klut eller en klut som er dyppet i såpevann og vridd opp.

OBS: Aldri bruk gasolin, bensin, tynner alkohol eller lignende. Det kan føre til misfarging, deformering eller sprekkdannelse.

Vedlikehold av bladene

Før bruk, eller en gang i timen under bruk, påfører du olje med lav viskositet (maskinolje eller smøreolje fra en sprayflaske) på bladene.

► Fig.51

► Fig.52

Etter bruk fjerner du støv fra begge sidene av bladene med en stålborste, tørker det bort med en klut og påfører deretter olje med lav viskositet (maskinolje eller smøreolje fra en sprayflaske) på bladene.

► Fig.53

► Fig.54

OBS: Ikke vask bladene i vann. Det kan føre til at verktøyet begynner å ruste eller blir skadet.

OBS: Smuss og korrosjon forårsaker høy bladfriksjon og forkorter driftstiden per batterilading.

Lagring

Krokullet i bunnen av verktøyet er praktisk hvis du vil henge verktøyet på en spiker eller skruer på veggen. Fest bladdekslet til skjærebladene slik at bladene ikke er utildekket. Oppbevar verktøyet utliggelig for barn. Oppbevar verktøyet på et sted som ikke er utsatt for fuktighet eller regn.

► Fig.55: 1. Hull

► Fig.56: 1. Hull

VALGFRITT TILBEHØR

⚠FORSIKTIG: Det anbefales at du bruker dette tilbehøret eller verktøyet sammen med den Makita-maskinen som er spesifisert i denne håndboken. Bruk av annet tilbehør eller verktøy kan forårsake personskader. Tilbehør og verktøy må kun brukes til det formålet det er beregnet på.

Ta kontakt med ditt lokale Makita-servicesenter hvis du trenger mer informasjon om dette tilbehøret.

- Skjærebladenhet (for bruk som gressaks)
- Skjærebladdeksel (for bruk som gressaks)
- Gressoppsamler (for bruk som gressaks)
- Langt håndtak (for bruk som gressaks)
- Skjærebladenhet (for bruk som hekktrimmer)
- Skjærebladdeksel (for bruk som hekktrimmer)
- Flisoppsamler (for bruk som hekktrimmer)
- Oppbevaringsetui
- Makita originalbatteri og lader

MERK: Enkelte elementer i listen kan være inkludert som standardtilbehør i verktøypakken. Elementene kan variere fra land til land.

TEKNISET TIEDOT

Malli:	DUM111	
Leikkuuleveys	110 mm	
Iskua minuutissa	2 500 min ⁻¹	
Vaihtoleikkuuterien osanumerot	Nurmikon reunaleikkuri	191N23-4, 195267-4
	Pensasleikkuri	191N24-2, 198408-1
Mitat (P x L x K)	330 mm x 120 mm x 130 mm	
Nimellisjännite	DC 18 V	
Nettopaino	1,4 kg - 1,8 kg	

- Jatkuvasta tutkimus- ja kehitystyöstämme johtuen esitetyt tekniset tiedot saattavat muuttua ilman erillistä ilmoitusta.
- Tekniset tiedot ja akkupaketti voivat vaihdella maittain.
- Paino voi olla erilainen lisävarusteista sekä akusta johtuen. EPTA-menettelytavan 01/2014 mukaisesti, taulukossa on kuvattu kevyin ja painavin laiteyhdistelmä.

Käytettävä akkupaketti ja laturi

Akkupaketti	BL1815N / BL1820B / BL1830B / BL1840B / BL1850B / BL1860B
Laturi	DC18RC / DC18RD / DC18RE / DC18SD / DC18SE / DC18SF / DC18SH

- Tiettyjä yläpuolella kuvattuja akkuja ja latureita ei ehkä ole saatavana asuinalueestasi johtuen.

VAROITUS: Käytä vain edellä eriteltyjä akkupaketteja ja latureita. Muiden akkupakettien ja laturien käyttäminen voi aiheuttaa loukkaantumisen ja/tai tulipalon.

Suositteltu johdollinen virtalähde

Kannettava tehoyksikkö	PDC01
------------------------	-------

- Edellä luetellut johdolliset virtalähteet eivät ehkä ole saatavana asuinalueellasi.
- Lue johdollisen virtalähteen käyttöohjeet ja tutustu siinä oleviin varoitusmerkintöihin ennen sen käyttämistä.

Symbolit

Laitteessa on mahdollisesti käytetty seuraavia symboleja. Opettele niiden merkitys ennen käyttöä.

	Noudata erityistä varovaisuutta ja kiinnitä huomiota.
	Lue käyttöohje.
	Vaara; varo sinkoutuvia kappaleita.
	Pidä sivulliset kaukana työalueelta.
	Leikkuuterä jatkaa pyörimistä moottorin sammuttamisen jälkeen.
	Älä altista laitetta kosteudelle.
	Käytä suojalaseja.



VAARA – pidä kädet pois terän tieltä.



Koskee vain EU-maita
Käytetyillä sähkö- ja elektroniikkalaitteilla, paristoilla ja akuilla voi olla negatiivisia ympäristö- ja terveysvaikutuksia niissä käytettyjen haitallisten osien takia. Älä hävitä sähkö- ja elektroniikkalaitteita tai akkuja kotitalousjätteen mukana! Vanhoja sähkö- ja elektroniikkalaitteita, paristoja ja akkuja koskevan EU-direktiivin ja sen perusteella laadittujen kansallisten lakien mukaan käytetyt sähkö- ja elektroniikkalaitteet, paristot ja akut on kierrätettävä toimittamalla ne erilliseen, ympäristönsuojelusäädösten mukaisesti toimivaan kierrätyspisteeseen. Tämä on ilmaistu laitteessa olevalla yllädetyn roska-astian symbolilla.



EU:n ulkona käytettävien laitteiden melupäästöjä koskevan direktiivin mukainen taattu äänitehotaso.



Australian Uuden Etelä-Walesin osavaltion melutasolainsäädännön mukainen äänitehotaso

Käyttötarkoitus

Laitte on tarkoitettu nurmikon reunojen tai versojen leikkaukseen.

Melutaso

Tyypillinen A-painotettu melutaso määräytyy standardin EN50636-2-94 mukaan:

DUM111 asennettuna nurmikon reunaleikkuuterällä
Äänenpainetaso (L_{pA}): 70 dB (A)
Virhemarginaali (K): 1,5 dB (A)

Työskentelyn aikana melutaso voi ylittää 80 dB (A).

Tyypillinen A-painotettu melutaso määräytyy standardin EN62841-4-2 mukaan:

DUM111 asennettuna pensasleikkuuterällä
Äänenpainetaso (L_{pA}): 70 dB (A)
Virhemarginaali (K): 3 dB (A)

Työskentelyn aikana melutaso voi ylittää 80 dB (A).

HUOMAA: Ilmoitetut melutasoarvot on mitattu standarditestausmenetelmän mukaisesti ja niiden avulla voidaan vertailla työkaluja keskenään.

HUOMAA: Ilmoitettuja melutasoarvoja voidaan käyttää myös altistumisen alustavaan arviointiin.

VAROITUS: Käytä kuulosuojaimia.

VAROITUS: Sähkötyökalun käytön aikana mitattu melutasoarvo voi poiketa ilmoitetuista arvoista laitteen käyttötavan ja erityisesti käsiteltävän työkappaleen mukaan.

VAROITUS: Selvitä käyttäjän suojaamiseksi tarvittavat varoimet todellisissa käyttöolosuhteissa tapahtuvan arvioidun altistumisen mukaisesti (ottaen huomioon käyttöjaksot kokonaisuudessaan, myös jaksot, joiden aikana laite on sammutettuna tai käy tyhjäkäynnillä).

Tärinä

Kokonaistärinä (kolmen akselin vektorien summa) määräytyy standardin EN50636-2-94 mukaan:

DUM111 asennettuna nurmikon reunaleikkuuterällä
Tärinäpäästö (a_n): 2,5 m/s² tai alaisempi
Virhemarginaali (K): 1,5 m/s²

Kokonaistärinä (kolmen akselin vektorien summa) määräytyy standardin EN62841-4-2 mukaan:

DUM111 asennettuna pensasleikkuuterällä
Tärinäpäästö (a_n): 2,5 m/s² tai alaisempi
Virhemarginaali (K): 1,5 m/s²

HUOMAA: Ilmoitetut kokonaistärinäarvot on mitattu standarditestausmenetelmän mukaisesti ja niiden avulla voidaan vertailla työkaluja keskenään.

HUOMAA: Ilmoitettuja kokonaistärinäarvoja voidaan käyttää myös altistumisen alustavaan arviointiin.

VAROITUS: Sähkötyökalun käytön aikana mitattu todellinen tärinäpäästöarvo voi poiketa ilmoitetuista arvoista laitteen käyttötavan ja erityisesti käsiteltävän työkappaleen mukaan.

VAROITUS: Selvitä käyttäjän suojaamiseksi tarvittavat varoimet todellisissa käyttöolosuhteissa tapahtuvan arvioidun altistumisen mukaisesti (ottaen huomioon käyttöjaksot kokonaisuudessaan, myös jaksot, joiden aikana laite on sammutettuna tai käy tyhjäkäynnillä).

EY-vaatimustenmukaisuusvakuutus

Koskee vain Euroopan maita

EY-vaatimustenmukaisuusvakuutus on liitetty tähän käyttöoppaaseen.

TURVAVAROITUKSET

Sähkötyökalujen käyttöä koskevat yleiset varoitukset

VAROITUS: Tutustu kaikkiin tämän sähkötyökalun mukana toimitettuihin varoituksiin, ohjeisiin, kuviin ja teknisiin tietoihin. Seuraavassa lueteltujen ohjeiden noudattamatta jättäminen saattaa johtaa sähköiskuun, tulipalloon tai vakavaan vammautumiseen.

Säilytä varoitukset ja ohjeet tulevaa käyttöä varten.

Varoituksissa käytettävällä termillä "sähkötyökalu" tarkoitetaan joko verkkovirtaa käyttävää (johdollista) työkalua tai akkukäyttöistä (johdotonta) työkalua.

Akkukäyttöisen nurmikon reunaleikkurin turvallisuusohjeet

Yleisiä ohjeita

- Oikean käyttötavan varmistamiseksi on käyttäjän luettava nämä käyttöohjeet laitteen käsitteilyyn ja käyttöön tutustumista varten.** Kouluttamattomat ja kokemattomat käyttäjät asettavat itsensä sekä sivulliset vaaratilanteeseen virheellisestä laitteen käsittelystä johtuen.
- Älä koskaan anna lasten, henkilöiden, joiden fyysiset, sensoriset tai henkiset kyvyt ovat rajoittuneet tai joilla ei ole kokemusta tai tietoa laitteen käytöstä, tai henkilöiden, jotka eivät ole perehtyneet näihin käyttöohjeisiin, käyttää laitetta.** Käyttäjän ikä voi olla rajoitettu paikallisten määräysten toimesta.
- Laitetta käytettäessä on oltava äärimmäisen huolellinen ja varovainen.**
- Käytä laitetta vain, jos olet hyvässä fyysisessä kunnossa.** Työskentele rauhallisesti ja varovaisesti. Käytä tervettä järkeä ja muista, että käyttäjä vastaa itse tapaturmista tai vahingoista, jotka hän aiheuttaa muille ihmisille tai heidän omaisuudelleen.

5. Laitetta ei saa koskaan käyttää, kun lähistöllä on muita henkilöitä, erityisesti lapsia tai lemmikkieläimiä.
6. Moottori on sammutettava heti, jos laitteessa ilmenee ongelmia tai merkkejä epänormaalista toiminnasta.
7. Sammuta laite ja irrota sen akku lepotaukojen ajaksi sekä silloin, kun jätät laitteen ilman valvontaa. Säilytä leikkuria turvallisessa paikassa niin, että sivulliset eivät joudu vaaraan eikä laitteeseen aiheudu vaurioita.
8. Vältä käyttämästä laitetta huonoissa sääolosuhteissa, varsinkin ukkosella salamanskun vaaran takia.
7. Jos leikkuuterä osuu kiviin tai muihin koviin esineisiin, sammuta moottori heti ja tarkasta leikkuuterä.
8. Tarkasta leikkuuterä säännöllisesti lyhyin väliajoin vaurioiden varalta (hiusmurtumien tarkastus koputtelemalla).
9. Leikkuuterän pitää pyöriä täydellä nopeudella ennen leikkaamisen aloittamista.
10. Leikkuuterä on varustettava siihen kuuluvalla suojuksella. Älä koskaan käytä laitetta, jos suojuksen vaurioitunut tai poistettu!
11. Kaikkia laitteen mukana toimitettuja turvalaitteita ja suojuksia on käytettävä laitteen käytön aikana.

Henkilösuojaimet

1. Käytä laitetta käyttäessäsi aina suojalaseja ja kestäviä jalkineita.
2. Käytä laitetta käyttäessäsi aina vahvoja jalkineita ja pitkiä housuja.

Laitteen käynnistäminen

1. Varmista, että lähistöllä ei ole lapsia tai muita ihmisiä. Varmista myös, ettei työskentelyalueen läheisyydessä ole eläimiä. Muussa tapauksessa laitteen käyttö on lopetettava.
2. Varmista aina ennen käyttöä, että laitteen käyttö on turvallista. Tarkista leikkuuterän ja suojuksen kiinnitys sekä liipaisinkytkimen/viivun sujuva toimivuus. Varmista, että käden sijat ovat puhtaat ja kuivat, ja tarkista, että laitteen voi käynnistää ja sammuttaa.
3. Tarkista ennen käyttöä, onko jokin laitteen osa vaurioitunut. Jos suojuksen tai jokin muu osa on vaurioitunut, on syytä tarkistaa että se toimii moitteettomasti ja käyttötarkoituksensa mukaisella tavalla. Varmista, että liikkuvat osat ovat oikeissa asennoissa ja pääsevät liikkumaan esteettä. Tarkasta myös osien eheys, kiinnitykset sekä muut toimintaan mahdollisesti vaikuttavat seikat. Suojus tai muu vaurioitunut osa tulee viedä valtuutettuun huoltoliikkeeseen korjattavaksi tai vaihdettavaksi, jollei tässä käyttöohjeessa muuta mainita.
4. Käynnistä moottori ainoastaan silloin, kun jalkasi ja kätesi ovat kaukana leikkuuterästä.
5. Varmista ennen käynnistystä, että leikkuuterä ei kosketa mihinkään esteeseen.

Käyttötavat

1. Käytä laitetta vain hyvässä valaistuksessa ja näkyvyydessä. Varo talviaikaan liukkaista tai märkiä alueita, jäätä ja lunta (liukastumisvaara). Varmista aina hyvä tasapainosi rinteissä. Kävele, äläkä koskaan juokse.
2. Varo, ettei leikkuuterä vahingoita jalkojasi tai käsiäsi.
3. Älä koskaan seiso tikkailla laitetta käyttäessäsi.
4. Älä koskaan kiipeä puuhun laitteella leikatessasi.
5. Älä työskentele epävakailta alustoilla.
6. Poista hiekka, kivet, naulat jne. muut sopimattomat materiaalit laitteen käyttöalueelta. Ulkopuoliset kohteet voivat vahingoittaa leikkuuterää ja aiheuttaa vaarallisia takaiskuja.

12. Poista akku aina laitteesta seuraavissa tilanteissa:

- kun poistut laitteen luota;
 - ennen tukoksen selvittämistä;
 - ennen laitteen tarkastamista, puhdistamista tai kunnossapitoa;
 - laitteen osuttua ulkopuoliseen kohteeseen;
 - aina, kun laite alkaa täristä epänormaalisti.
13. Varmista, että ilmanvaihtoaukot ovat puhtaana liasta ja pölystä.
 14. Leikkuuterä jatkaa pyörimistä moottorin sammuttamisen jälkeen.
 15. Jos terät lakkaavat liikkumasta, koska niiden väliin juuttuu vierasesine käytön aikana, sammuta laite, irrota sen akkupaketti ja poista sitten vierasesineet asianmukaisella työkalulla, kuten pihdeillä. Vierasesineiden poistaminen käsin voi aiheuttaa henkilövahinkoja, koska terät voivat liikkua vierasesineiden poistamisen seurauksena.

Terät

Käytä vain sen hetkiseen työhön soveltuvaa oikeaa leikkuuterää.

Huolto-ohjeet

1. Laitteen sekä erityisesti leikkuuterän ja suojavarusteiden kunto on tarkastettava ennen käytön aloittamista.
2. Sammuta moottori ja irrota akku ennen laitteen huoltamista, leikkuuterien vaihtamista sekä laitteen tai leikkuuterän puhdistamista.
3. Kun et käytä laitetta, säilytä sitä kuivassa ja korkealla tai lukitussa paikassa lasten ulottumattomissa. Puhdista ja huolla laite ennen sen varastointia.

SÄILYTÄ NÄMÄ OHJEET.

VAROITUS: ÄLÄ anna työkalun helppokäyttöisyyden (toistuvan käytön aikaansaama) johtaa sinua vääriin turvallisuuden tunteeseen niin, että laiminlyöt työkalun turvaohjeiden noudattamisen. **VÄÄRINKÄYTTÖ** tai tässä käyttöohjeessa ilmoitettujen turvamääräysten laiminlyönti voi aiheuttaa vakavia henkilövahinkoja.

Akkukäyttöisen pensasleikkurin turvallisuusohjeet

- Pidä kaikki kehon osat kaukana leikkuuterästä. Älä poista leikattua ainesta tai pidä leikattavasta kohteesta kiinni leikkuuterien liikkuvista.** Terät jatkavat liikkumista kytkimen sammuttamisen jälkeen. Hetkellinen huolimattomuus pensasleikkurin käytön aikana voi aiheuttaa vakavan henkilövahingon.
- Kanna pensasleikkuria kahvasta siten, että terä on pysäytetty ja varo, että et käytä mitään virtakytkintä.** Pensasleikkurin oikeanlainen kantaminen pienentää riskiä sen vahingossa käynnistymisestä ja sitä, että terät voisivat aiheuttaa henkilökohtaisia vahinkoja.
- Aseta pensasleikkurin teräsuojus paikalleen aina kuljetuksen ja varastoinnin ajaksi.** Pensasleikkurin asianmukainen käsittely vähentää terien aiheuttamien henkilövahinkojen mahdollisuutta.
- Kun puhdistat tukoksia tai huollat yksikköä, varmista, että virtakytkimet on sammutettu ja akkupaketti on poistettu tai irrotettu.** Pensasleikkurin odottamaton käynnistyminen tukosten puhdistamisen tai huollon aikana voi saada aikaan vakavia henkilövahinkoja.
- Pidä pensasleikkurista kiinni vain sen eristetyistä tartuntapinnoista, sillä terä saattaa osua piilossa oleviin johtoihin.** Jos terät osuvat jännitteelliseen johtoon, jännite voi siirtyä pensasleikkurin sähköä johtaviin metalliosiin ja aiheuttaa käyttäjälle sähköiskun.
- Pidä kaikki virtajohdot ja kaapelit poissa leikkuualueelta.** Virtajohdot tai kaapelit voivat jäädä aitojen tai pensaiden taakse näkymättömiin, jolloin terä voi katkaista ne.
- Älä käytä pensasleikkuria huonoissa sääolosuhteissa, varsinkin ukkosella salamanskun vaaran takia.** Tämä pienentää salamanskun riskiä.

Lisäturvallisuusohjeet

Valmistelu

- Tarkista ennen laitteen käytön aloittamista, ettei aidoissa tai pensaissa ole muuta kuin oksastoa, kuten verkkoaitaa tai piilossa olevia johtoja.**
- Työkalua ei saa käyttää lasten tai alle 18-vuotiaiden nuorten toimesta.** Poikkeustapauksissa käyttö voidaan sallia myös 16 vuotta täyttäneille, jos he opettelevat leikkurin käyttöä asiantuntevan aikuisen valvonnassa.
- Kokemattomien käyttäjien on hyvä pyytää neuvoja kokeneilta työkalun käyttöä koskien.**
- Käytä työkalua vain, jos olet hyvässä fyysisessä kunnossa.** Huomiokyky heikkenee väsymyksen myötä. Noudata erityistä varovaisuutta työpäivän lopulla. Työskentele rauhallisesti ja varovaisesti. Käyttäjän on vastuussa ulkopuolisille aiheutuvista kaikista vahingoista.
- Älä koskaan käytä työkalua alkoholin, huumeiden tai lääkkeiden vaikutuksen alaisena.**

- Paksut nahkakäsineet ovat työkalun perusrusteita ja niitä on käytettävä aina sen käytön aikana.** Käytä myös tukevia ja luistamattomilla pohjilla varustettuja jalkineita.
- Varmista, että työkalu on asianmukaisessa toimintakunnossa ennen työskentelyn aloittamista.** Varmista, että suojukset ovat oikein paikallaan. Työkalua ei saa käyttää, jos kaikki osat eivät ole paikallaan.

Käyttö

- Pidä työkalusta tukevasti kiinni sen käytön aikana.**
- Työkalu on tarkoitettu käytettäväksi käyttäjänsä toimesta maan tasalla.** Älä käytä työkalua tikapuilla tai muun epävakaan tuen varassa.
- Älä pidä samanaikaisesti päällä useita vyöihinjoja ja/tai olkahihnoja työkalun käytön aikana.**
- VAARA - Pidä kädet kaukana terästä.** Teräkosketus voi aiheuttaa vakavan henkilövahingon.
- Älä käytä työkalua sateella, märissä tai muutoin kosteissa olosuhteissa.** Sähkömoottori ei ole vesitiivis.
- Varmista, että tasapainosi on luotettava ennen työskentelyn aloittamista.**
- Älä käytä laitetta tarpeettomasti kuormittamattomana.**
- Sammuta työkalu välittömästi ja irrota akkupaketti, jos leikkuuterät osuvat aitaan tai johonkin muuhun kovaan kohteeseen.** Tarkista terien kunto ja vaihda terät välittömästi, jos ne ovat vaurioituneet.
- Sammuta työkalu ja irrota akkupaketti aina, ennen kuin tarkistat leikkuuterät, korjaat vikoja tai poistat leikkuriin juuttunutta materiaalia.**
- Älä koskaan suuntaa leikkuuterää itseäsi tai sivullisia kohti.**
- Jos terät lakkaavat liikkumasta, koska niiden väliin juuttuu vierasesine käytön aikana, sammuta laite, irrota sen akkupaketti ja poista sitten vierasesineet asianmukaisella työkalulla, kuten pihdeillä.** Vierasesineiden poistaminen käsin voi aiheuttaa henkilövahinkoja, koska terät voivat liikkua vierasesineiden poistamisen seurauksena.
- Vältä vaarallisia ympäristöjä.** Älä käytä työkalua kosteissa tai märissä paikoissa äläkä altista sitä sateelle. Työkalun sisään päässyt vesi lisää sähköiskun vaaraa.

Kunnossapito ja säilytys

- Sammuta työkalu ja irrota akkupaketti ennen minkään huoltotyön suorittamista.**
- Irrota akkupaketti ja aseta teräsuojus leikkuuterien päälle aina, kun siirrät työkalua toiseen paikkaan, myös työskentelyn aikana.** Älä koskaan kannata tai kuljeta työkalua terien ollessa käynnissä. Älä koskaan tartu teriin käsilläsi.
- Puhdista työkalu ja erityisesti leikkuuterät käytön jälkeen sekä silloin, kun viet työkalun pitkäksi aikaa säilytykseen.** Öljyä terät kevyesti ja aseta teräsuojus paikalleen.
- Säilytä työkalua kuivassa huoneessa teräsuojuksen ollessa leikkuuterän päällä.** Pidä leikkuri lasten ulottumattomissa. Älä koskaan säilytä työkalua ulkotiloissa.

- Älä hävitä akkua (akkuja) polttamalla. Akkukenno voi räjähtää. Tarkista, onko paikallisissa määräyksissä erityisiä laitetta koskevia hävitysohjeita.
- Älä avaa tai riko akkua (akkuja). Akusta mahdollisesti vuotava elektrolyytti on syövyttävää ja saattaa vaurioittaa ihoa tai silmiä. Se saattaa olla myrkyllistä nieltynä.
- Älä lataa akkua sateessa tai kosteissa olosuhteissa.

SÄILYTÄ NÄMÄ OHJEET.

VAROITUS: ÄLÄ anna työkalun helppokäyttöisyyden (toistuvan käytön aikaansaama) johtaa sinua väärään turvallisuudentunteeseen niin, että laiminlyöt työkalun turvaohjeiden noudattamisen. VÄÄRINKÄYTTÖ tai tässä käyttöohjeessa ilmoitettujen turvamääräysten laiminlyönti voi aiheuttaa vakavia henkilövahinkoja.

Akkupakettia koskevia tärkeitä turvaohjeita

- Ennen akun käyttöönottoa tutustu kaikkiin laturissa (1), akussa (2) ja akkukäyttöisessä tuotteessa (3) oleviin varoitusteksteihin.
- Älä pura tai peukaloi imuria akkupakettia. Se voi johtaa tulipaloon, ylikuumentumiseen tai räjähdykseen.
- Jos akun toiminta-aika lyhenee merkittävästi, lopeta akun käyttö. Seurauksena voi olla ylikuumentuminen, palovammoja tai jopa räjähdys.
- Jos akkunestettä pääsee silmiin, huuhtele puhtaalla vedellä ja hakeudu välittömästi lääkärin hoitoon. Akkuneste voi aiheuttaa näön menetyksen.
- Älä oikosulje akkua.
 - Älä koske akun napoihin millään sähköä johtavalla materiaalilla.
 - Vältä akun oikosulkemista äläkä säilytä akkua yhdessä muiden metalliesineiden, kuten naulojen, kolikoiden ja niin edelleen kanssa.
 - Älä aseta akkua alttiiksi vedelle tai sateelle.

Oikosulku voi aiheuttaa virtapiikin, ylikuumentumista, palovammoja tai laitteen rikkoontumisen.
- Älä säilytä ja käytä työkalua ja akkupakettia paikassa, jossa lämpötila voi nousta 50 °C:een (122 °F) tai korkeammaksi.
- Älä hävitä akkua polttamalla, vaikka se olisi pahoin vaurioitunut tai täysin loppuun kulunut. Avotuli voi aiheuttaa akun räjähtämisen.
- Älä naulaa, leikkaa, purista, heitä tai pudota akkupakettia tai iske sitä kovia esineitä vasten. Tällaiset toimet voivat johtaa tulipaloon, ylikuumentumiseen tai räjähdykseen.
- Älä käytä viallista akkua.

- Sisältyviä litium-ioni-akkuja koskevat vaarallisten aineiden lainsäädännön vaatimukset. Esimerkiksi kolmansien osapuolten huoltaliikkeiden tulee kaupallisissa kuljetuksissa noudattaa pakkaamista ja merkintöjä koskevia erityisvaatimuksia. Lähetetävän tuotteen valmistelu edellyttää vaarallisten aineiden asiantuntijan neuvontaa. Huomioi myös mahdollisesti yksityiskohtaisemmat kansalliset määräykset. Akun avoimet liittimet tulee suojata teipillä tai suojuksella ja pakkaaminen tulee tehdä niin, ettei akku voi liikkua pakkauksessa.
- Kun akkupaketti on hävitettävä, poista se laitteesta ja hävitä se turvallisesti. Hävitä akku paikallisten määräysten mukaisesti.
- Käytä akkua vain Makitan ilmoittamien tuotteiden kanssa. Akkujen asentaminen yhteen sopimattomiin tuotteisiin voi aiheuttaa tulipalon, liiallisen ylikuumentumisen, räjähdysen tai akkunestevuotoja.
- Jos laitetta ei käytetä pitkään aikaan, akku on poistettava laitteesta.
- Akkupaketin lämpötila voi käytön aikana ja sen jälkeen nousta niin kuumaksi, että se voi aiheuttaa palovammoja tai lieviä palovammoja. Käsittele kuumia akkupaketteja huolellisesti.
- Älä kosketa työkalun liittimiä välittömästi käytön jälkeen, sillä se voi olla riittävän kuuma aiheuttamaan palovammoja.
- Älä päästä lastuja, pölyä tai maata akkupaketin liittimiin, aukkoihin ja uriin. Se voi heikentää työkalun tai akkupaketin suorituskykyä tai johtaa niiden rikkoutumiseen.
- Ellei työkalu tue käyttöä korkeajännitelinjojen lähellä, älä käytä akkupakettia korkeajännitelinjojen lähellä. Se voi johtaa työkalun tai akkupaketin toimintahäiriöön tai rikkoutumiseen.
- Pidä akku pois lasten ulottuvilta.

SÄILYTÄ NÄMÄ OHJEET.

HUOMIO: Käytä vain alkuperäisiä Makita-akkuja. Muiden kuin aitojen Makita-akkujen, tai mahdollisesti muutettujen akkujen käyttö voi johtaa akun murtumiseen ja aiheuttaa tulipaloja, henkilö- ja omaisuusvahinkoja. Se mitätöi myös Makita-työkalun ja -laturin Makita-takuun.

Vihjeitä akun käyttöösi pidentämiseksi

- Lataa akku ennen kuin se purkautuu täysin. Lopeta aina työkalun käyttö ja lataa akku, jos huomaat työkalun tehon vähenevän.
- Älä koskaan lataa uudestaan täysin ladattua akkua. Yililataaminen lyhentää akun käyttöikää.
- Lataa akku huoneen lämpötilassa välillä 10 °C - 40 °C. Anna kuuman akun jäähtyä ennen lataamista.
- Irrota akkupaketti työkalusta tai laturista, kun sitä ei käytetä.
- Lataa akkupaketti, jos et käytä sitä pitkään aikaan (yli kuusi kuukautta).

TOIMINTOJEN KUVAUS

▲HUOMIO: Varmista aina ennen säätöjä ja tarkastuksia, että työkalu on sammutettu ja akkupaketti irrotettu.

Akkukäyttöisen laitteen käyttö pensasleikkurina

Tätä työkalua voidaan käyttää akkukäyttöisenä pensasleikkurina asentamalla siihen pensasleikkurin leikkuuterät.

Akun asentaminen tai irrottaminen

▲HUOMIO: Sammuta työkalu aina ennen akun kiinnittämistä tai irrottamista.

▲HUOMIO: Pidä työkalusta ja akusta tiukasti kiinni, kun irrotat tai kiinnität akkua. Jos akkupaketti tai työkalu putoaa, ne voivat vaurioitua tai aiheuttaa tapaturman.

► **Kuva1:** 1. Punainen ilmaisin 2. Painike 3. Akkupaketti

Irrota akku painamalla akun etupuolella olevaa painiketta ja vetämällä akku ulos työkalusta.

Akkupaketti asetetaan paikalleen sovitamalla akkupaketin kieleke rungon uraan ja työntämällä se sitten paikalleen. Työnnä se pohjaan asti niin, että kuulet sen napsahavan paikoilleen. Jos näet kuvan mukaisen punaisen ilmaisimen, lukitus ei ole täysin pitävä.

▲HUOMIO: Työnnä akkupaketti aina pohjaan asti, niin että punainen ilmaisin ei enää näy. Jos akkupaketti ei ole kunnolla paikallaan, se voi pudota työkalusta ja aiheuttaa vammoja joko sinulle tai sivullisille.

▲HUOMIO: Älä käytä voimaa akun asennuksessa. Jos akku ei liu'u paikalleen helposti, se on väärässä asennossa.

Akun jäljellä olevan varaustason ilmaisin

Vain akkupaketeille ilmaisimella

► **Kuva2:** 1. Merkkivalot 2. Tarkistuspainike

Painamalla tarkistuspainiketta saat näkyviin akun jäljellä olevan varauksen. Merkkivalot palavat muutaman sekunnin ajan.

Merkkivalot			Akussa jäljellä olevan varaus
Palaa	Pois päältä	Viilkkuu	
■	□	▤	75% - 100%
■ ■ ■ ■	□ □ □ □	▤ ▤ ▤ ▤	
■ ■ ■ ■	□ □ □ □	▤ ▤ ▤ ▤	50% - 75%
■ ■ ■ ■	□ □ □ □	▤ ▤ ▤ ▤	25% - 50%
■ ■ ■ ■	□ □ □ □	▤ ▤ ▤ ▤	0% - 25%
▤	□ □ □ □	□ □ □ □	Lataa akku.
■ ■ ■ ■	□ □ □ □	▤ ▤ ▤ ▤	Akussa on saattanut olla toimintahäiriö.
□ □ □ □	■ ■ ■ ■	▤ ▤ ▤ ▤	

HUOMAA: Ilmoitettu varaustaso voi erota hieman todellisesta varaustasosta sen mukaan, millaisissa oloissa ja missä lämpötilassa laitetta käytetään.

HUOMAA: Ensimmäinen (vasemmanpuoleisin) merkkivalo vilkkuu, kun akun suojausjärjestelmä on toiminnassa.

Työkalun/akun suojausjärjestelmä

Työkalu on varustettu työkalu/akun suojausjärjestelmällä. Tämä järjestelmä pidentää työkalun ja akun käyttöikää katkaisemalla automaattisesti moottorin virran. Työkalu pysähtyy automaattisesti kesken käytön, jos työkalussa tai akussa ilmenee jokin seuraavista tilanteista:

Ylikuormitussuoja

Kun akkua käytetään tavalla, joka saa sen kuluttamaan epätavallisen suuren määrän virtaa, työkalu pysähtyy automaattisesti. Katkaise tässä tilanteessa työkalusta virta ja lopeta ylikuormitustilan aiheuttanut käyttö. Käynnistä sitten työkalu uudelleen kytkemällä siihen virta.

Ylikuumenemissuoja

Kun akku ylikuumentuu, työkalu pysähtyy automaattisesti. Anna tällöin työkalun ja akun jäähtyä, ennen kuin kytket työkaluun uudelleen virran.

Ylipurkautumissuoja

Kun akun varaus on riittämätön, työkalu pysähtyy automaattisesti. Irrota silloin akku työkalusta ja lataa se.

Kytkimen käyttäminen

▲VAROITUS: Tarkista aina ennen akkupaketin asettamista työkaluun, että liipaisinkytkin kytkeytyy oikein ja palaa "OFF"-asentoon, kun se vapautetaan.

▲VAROITUS: Käyttäjän turvallisuuden varmistamiseksi tämä laite on varustettu lukituspainikkeella, joka estää laitteen vahingossa tapahtuvan käynnistämisen. Älä koskaan käytä laitetta, jos se käynnistyy pelkästään liipaisinkytkintä painamalla ilman, että painaisit lukituspainiketta. Pyydä valtuutettua Makita-huoltoliikettä korjaamaan laite.

▲VAROITUS: Älä koskaan poista lukitus toimintoa käytöstä tai teippaa lukituspainiketta kiinni.

HUOMAUTUS: Älä paina liipaisinkytkintä voimakkaasti painamatta samalla lukituspainiketta. Kytkin voi vaurioitua.

► **Kuva3:** 1. Liipaisinkytkin 2. Lukituspainike

Estä liipaisinkytkimen tahaton käyttö lukituspainikkeen avulla.

Käynnistä laite painamalla lukituspainike sisään ja vetämällä liipaisinkytkimestä. Pysäytä vapauttamalla liipaisinkytkin. Lukituspainiketta voidaan painaa sisään vasemmalta tai oikealta puolelta.

Merkkivalo

Merkkivalo vilkkuu tai palaa akun jäljelläolevan varauksen ollessa alhainen, tai jos akku on täysin tyhjä. Merkkivalo palaa myös laitteen ollessa ylikuormitettuna.

► **Kuva4:** 1. Merkkivalo

Merkkivalon tila ja suoritettava toimenpide

Merkkivalo	Tila	Suoritettava toimenpide
Merkkivalo vilkkuu punaisena.	Akun jäljelläoleva varaus on alhainen.	Lataa akku.
Merkkivalo palaa punaisena. *	Laitte on sammutettu koska akun jäljelläoleva varaus on tyhjä.	Lataa akku.
	Laitte on sammutettu ylikuormituksesta johtuen.	Sammuta laite.

* Merkkivalon syttymisajankohta vaihtelee työskentelyalueen lämpötilan ja akun olosuhteiden mukaisesti.

Leikkuukorkeuden säätö (nurmikon reunaleikkuri)

Lisävaruste

▲HUOMIO: Varmista muuttaessa leikkuukorkeutta, että teräsuojus on kiinnitetty paikalleen ja olet varovainen, ettei sormesi jää puristuksiin terän ja ruohonkerääjän väliin.

Leikkuukorkeus voidaan asettaa kolmeen tasoon (15 mm, 20 mm, ja 25 mm) muuttamalla ruohonkerääjän kiinteää asentoa. Leikkuukorkeus ilman ruohonkerääjää on noin 10 mm.

1. Liu'uta ruohonkerääjää laitteen etuosaa kohti.
► **Kuva5:** 1. Ruohonkerääjä
2. Muuta ruohonkerääjän kiinteää asentoa siirtämällä sitä nuolen osoittamaan suuntaan.
► **Kuva6**

HUOMAA: Leikkuukorkeusarvo on suuntaa-antava. Todellinen leikkuukorkeus voi poiketa nurmikon tai maaperän olosuhteista johtuen.

HUOMAA: Kokeile leikkuukorkeutta ensin nurmikon syrjäisemmässä osassa.

KOKOONPANO

▲HUOMIO: Varmista aina ennen mitään työkalulle tehtäviä toimenpiteitä, että se on sammutettu ja akku irrotettu.

▲HUOMIO: Leikkuuteriä vaihdettaessa tulee aina käyttää käsineitä ja teräsuojuksen on oltava kiinnitettynä paikallaan niin, ettei leikkuuterä pääse kosketuksiin käsien kanssa.

HUOMAUTUS: Leikkuuterien vaihdon aikana älä pyyhi rasvaa pois hammaspyöristä ja kammesta.

Teräsuojuksen asentaminen ja irrottaminen

▲HUOMIO: Varo koskettamasta leikkuuterää asentaessasi tai irrottaessasi teräsuojusta.

Irrota teräsuojus vetämällä sitä kevyesti ja tämän jälkeen liu'uttamalla sitä sivulle. Asenna teräsuojus suoritettamalla edellä kuvatut toimenpiteet päinvastaisessa järjestyksessä.

► **Kuva7**

Ruohonkerääjän asentaminen ja irrottaminen

Lisävaruste

▲HUOMIO: Varmista ruohonkerääjän asennuksen tai irrotuksen aikana, että teräsuojus on kiinnitetty paikalleen ja olet varovainen, ettei sormesi jää puristuksiin terän ja ruohonkerääjän väliin.

Ruohonkerääjän asentaminen

1. Kiinnitä ruohonkerääjän sarana laitteen uraan.
► **Kuva8:** 1. Sarana 2. Ruohonkerääjä
2. Kohdista ruohonkerääjän ulokkeet laitteen uriin ja liu'uta samalla ruohonkerääjää laitteen etuosaa kohti siirtämällä sitä nuolen osoittamaan suuntaan.
► **Kuva9**

HUOMAUTUS: Älä kiinnitä ruohonkerääjän saranaa väkisin laitteeseen sen jälkeen, kun olet kohdistanut ruohonkerääjän ulokkeet laitteen urien kanssa.



Ruohonkerääjän irrottaminen

1. Vapauta ruohonkerääjän ulokkeet laitteen urista ja liu'uta samalla ruohonkerääjää laitteen etuosaa kohti.
► **Kuva10:** 1. Ruohonkerääjä
2. Vapauta ruohonkerääjän sarana laitteesta.

Leikkuuterien asennus tai irrotus nurmikon reunaleikkurista

HUOMAUTUS: Jos leikkuuterien lisäksi muut osat, kuten kampi, kuluvat, kysy varaosia tai huoltopalveluja valtuutetusta Makita-huoltoliikkeestä.





Leikkuuterien irrottaminen

1. Irrota ruohonkerääjä, jos se on asennettuna. Aseta työkalu ylösalaisin.
► **Kuva11**
2. Samalla kun painat lukitusvipua, käännä alasuojusta vastapäivään, kunnes  alasuojuksessa oleva merkki on kohdistettuna  lukitusvivussa olevan merkin kanssa.
► **Kuva12:** 1. Alasuojus 2. Lukitusvipu
3. Irrota alasuojus, leikkuuterät ja kampi.
► **Kuva13:** 1. Alasuojus 2. Leikkuuterät 3. Kampi

Leikkuuterien asentaminen

- Ota kampi, alasuojus ja uudet leikkuuterät valmiiksi esille.
► **Kuva14:** 1. Kampi 2. Alasuojus 3. Leikkuuterät
- Irrota teräsuojus vanhoista leikkuuteristä ja kiinnitä se tämän jälkeen uusiin teriin.
► **Kuva15:** 1. Teränsuojus
- Säädä kolmea tappia niin, että ne ovat samassa linjassa kohdistuslinjan kanssa.
► **Kuva16:** 1. Kohdistuslinja
- Levitä pieni määrä rasvaa kammen reunaan. Kiinnitä kampi tappeihin niin, että pienet ja suuret renkaat osoittavat ylöspäin.
► **Kuva17:** 1. Kampi
- Säädä teriä ja ohjainlevyä niin, että ohjainlevyn reikä ja kaksi terien uloketta ovat linjassa keskenään.
► **Kuva18:** 1. Ohjainlevy
- Käännä leikkuuterät ylösalaisin ja kiinnitä ne niin, että työkalun tapit asettuvat ohjainlevyssä olevaan reikään. Varmista, että leikkuuterät on kiinnitetty pitävästi paikalleen.
► **Kuva19:** 1. Ohjainlevy

HUOMAA: Teränsuojuksen liu'uttaminen hieman eteenpäin helpottaa leikkuuterien asentamista.

- Aseta alasuojus niin, että  alasuojuksessa oleva merkki on kohdistettuna  lukitusvivussa olevaan merkkiin.
► **Kuva20:** 1. Alasuojus 2. Lukitusvipu
- Samalla kun painat alasuojusta, käännä sitä myötäpäivään, kunnes  alasuojuksessa oleva merkki on kohdistettuna  lukitusvivussa olevan merkin kanssa.
► **Kuva21:** 1. Alasuojus 2. Lukitusvipu
- Varmista, että lukitusvipu sopii alasuojuksen uraan.
► **Kuva22:** 1. Lukitusvipu

▲HUOMIO: Älä koskaan käytä laitetta ilman alasuojusta.

- Poista teräsuojus ja tarkista leikkuuterien moitteeton ja oikea toiminta käynnistämällä laite.



HUOMAUTUS: Jos leikkuuterät eivät toimi oikein, terät eivät ole kytkeyntyneet kampeen oikealla tavalla. Irrota terät ja asenna ne uudelleen.

Leikkuuterien asennus tai irrotus pensasleikkurista

▲HUOMIO: Kiinnitä teräsuojus paikalleen ennen leikkuuterien irrottamista tai asentamista.

HUOMAUTUS: Jos leikkuuterien lisäksi muut osat, kuten kampi, kuluvat, kysy varaosia tai huoltopalveluja valtuutetusta Makita-huoltoilikeestä.

Leikkuuterien irrottaminen

- Aseta laite ylösalaisin.
► **Kuva23**
- Samalla kun painat lukitusvipua, käännä alasuojusta vastapäivään, kunnes  alasuojuksessa oleva merkki on kohdistettuna  lukitusvivussa olevan merkin kanssa.
► **Kuva24:** 1. Lukitusvipu 2. Alasuojus
- Irrota alasuojus.
► **Kuva25:** 1. Alasuojus
- Löysää kaksi ruuvia ruuvitaltaa käyttämällä ja irrota leikkuuterät.
► **Kuva26:** 1. Ruuvit

HUOMAA: Leikkuuterät voidaan irrottaa ruuveja irrottamatta.

- Irrota kampi leikkuuteristä.
► **Kuva27:** 1. Kampi

HUOMAA: Kampi voi jäädä laitteeseen.



HUOMAA: Kiinnitä teräsuojus ja säilytyskotelon irrotettuihin leikkuuteriin ja aseta terät säilytykseen.



Leikkuuterien asennus

- Ota kampi, alasuojus ja uudet leikkuuterät valmiiksi esille.
► **Kuva28:** 1. Kampi 2. Alasuojus 3. Leikkuuterät
- Aseta teräsuojus paikalleen leikkuuteriin.
► **Kuva29:** 1. Teränsuojus
- Säädä kolmea tappia niin, että ne ovat samassa linjassa kohdistuslinjan kanssa.
► **Kuva30:** 1. Kohdistuslinja
- Levitä pieni määrä rasvaa kammen reunaan. Kiinnitä kampi tappeihin niin, että pienet ja suuret reiät osoittavat alaspäin.
► **Kuva31:** 1. Kampi
- Liu'uta leikkuuteriä niin, että ohjainlevyn reikä on sijoitettu terärenkaiden keskelle.
► **Kuva32:** 1. Ohjainlevy
- Käännä leikkuuterät ylösalaisin ja kiinnitä ne niin, että työkalun tappi asettuu leikkuuterässä olevaan reikään. Aseta ohjainlevyn hammas työkalussa olevaan uraan. Varmista, että leikkuuterät on kiinnitetty pitävästi paikalleen.
► **Kuva33:** 1. Hammas 2. Ohjainlevy

HUOMAA: Teränsuojuksen liu'uttaminen hieman eteenpäin helpottaa leikkuuterien asentamista.

- Kiristä kaksi ruuvia kireälle ruuvitaltaa käyttämällä.
► **Kuva34:** 1. Ruuvit

- Aseta alasuojus niin, että  alasuojuksessa oleva merkki on kohdistettuna  lukitusvivussa olevaan merkkiin.
► **Kuva35:** 1. Lukitusvipu 2. Alasuojus

9. Samalla kun painat alasuojusta, käännä sitä myötöpäivään, kunnes  alasuojuksessa oleva merkki on kohdistettuna  lukitusvivussa olevan merkin kanssa.
► **Kuva36:** 1. Alasuojus

10. Varmista, että lukitusvipu sopii alasuojuksen uraan.
► **Kuva37:** 1. Lukitusvipu

▲HUOMIO: Älä koskaan käytä laitetta ilman alasuojusta.

11. Poista teräsuojus ja tarkista leikkuuterien moitteeton ja oikea toiminta käynnistämällä laite.

HUOMAUTUS: Jos leikkuuterät eivät toimi oikein, terät eivät ole kytkeytyneet kampeen oikealla tavalla. Irrota terät ja asenna ne uudelleen.

Lehdenkerääjän asentaminen ja irrottaminen

Lisävaruste

▲HUOMIO: Lehdenkerääjää asennettaessa tai irrotettaessa tulee aina käyttää käsineitä ja teräsuojuksen on oltava kiinnitettynä paikallaan niin, ettei leikkuuterä pääse kosketuksiin käsin kanssa.

Lehdenkerääjä kerää jätälehdet ja helpottaa siivoamista jälkeensä. Se voidaan asentaa kummalle puolelle laitetta tahansa.

Asenna lehdenkerääjä painamalla sitä leikkuuteriä vasten niin, että kiinnikkeet sopivat leikkuuterien reikiin.
► **Kuva38:** 1. Kiinnikkeet 2. Reiät

Lehdenkerääjä irrotetaan painamalla sen molemmilla puolilla olevia vipuja kiinnikkeiden vapauttamiseksi.
► **Kuva39:** 1. Vivut

HUOMAUTUS: Älä yritä irrottaa lehdenkerääjää väkisin sen kiinnikkeiden ollessa kiinnitettynä leikkuuterän rei'issä.

TYÖSKENTELY

▲VAROITUS: Poista kepit ja kivet leikkualueelta ennen leikkauksen aloittamista. Poista myös rikkaruohot alueelta etukäteen.

► **Kuva40**

▲VAROITUS: Pidä kädet poissa terien ulottuvilta.

▲HUOMIO: Vältä laitteen käyttämistä erittäin kuumissa sääolosuhteissa. Vältä yllirasittumista, kun käytät laitetta.

Leikkaaminen (nurmikon reunaleikkuri)

Käynnistä laite leikkauskorkeuden säätämisen jälkeen ja pidä siitä kiinni niin, että laitteen jalusta on tukevasti maata vasten. Liikuta sitten laitetta varovaisesti eteenpäin.

► **Kuva41**

Kun leikkaat ruohoa kaivonrenkaan, aitojen tai puiden ympärillä, liikuta laitetta niitä pitkin. Ole varovainen, ettei leikkuuterät kosketa näitä kohteita.

► **Kuva42**

Leikkattaessa kasviversoja tai pienten puiden lehvistöä, leikkaa niitä vähän kerrallaan.

► **Kuva43**

Leikkaa isot oksat haluamaasi korkeuteen oksasaksilla ennen tämän laitteen käyttämistä.

HUOMAUTUS: Älä käytä laitetta tavalla, joka aiheuttaa moottorin sammumisen tai pyörimisen äärimmäisen hitaasti.

HUOMAUTUS: Älä myöskään yritä leikata paksumia puunoksia.

HUOMAUTUS: Älä anna leikkuuterien koskettaa maata laitteen käytön aikana. Terät tylsyvät, jolloin leikkausteho huononee.

HUOMAUTUS: Älä leikkaa märkää nurmikkoa tai pienten puiden märkää lehvistöä.

Pitkän nurmikon leikkaus

Älä yritä leikata pitkäksi kasvanutta nurmikkoa kokonaan yhdellä leikkukerralla. Leikkaa sen sijaan nurmikkoa useammassa vaiheessa. Jätä päivä tai kaksi leikkuukertojen väliin, kunnes nurmikko tulee tasaisen lyhyeksi.

► **Kuva44**

HUOMAA: Pitkän ruohon leikkaaminen lyhyeksi yhdellä kerralla voi aiheuttaa ruohon kuolemisen.

Leikkaaminen (pensasleikkuri)

▲HUOMIO: Huolehdi, että leikkurin terä ei osu metalliaitaan tai muuhun kovaan esineeseen työskentelyn aikana. Muutoin terä rikkoontuu ja voi aiheuttaa tapaturmia.

▲HUOMIO: Älä anna leikkuuterien koskettaa maata käytön aikana. Työkalu voi potkaista ja aiheuttaa tapaturmia.

▲HUOMIO: Pensasleikkurin kanssa kurkotteleminen, erityisesti tikkailla seisottaessa on erittäin vaarallista. Älä käytä leikkuria epävakailta alustoilla.

HUOMAUTUS: Älä leikkaa tällä leikkurilla halkaisijaltaan yli 10 mm:n oksia. Leikkaa oksat oksasaksilla 10 cm alemmaksi kuin itse leikkuukorkeus ennen tämän laitteen käyttämistä.

► **Kuva45:** (1) Leikkuukorkeus (2) 10 cm

HUOMAUTUS: Älä leikkaa kuolleita puita tai mitään vastaavia kovia kohteita. Muussa tapauksessa laite voi vaurioitua.

HUOMAUTUS: Älä leikkaa nurmikkoa tai rikkaruohoja pensasleikkuuterää käyttäessäsi. Ruoho tai rikkaruohot voivat takertua leikkuuteriin.

Pidä laitteesta kiinni yhdellä kädellä, vedä liipaisinkytkimestä ja paina samalla lukituspainiketta, ja tämän jälkeen liikutta laitetta eteenpäin.

► Kuva46

Perustasoitus tapahtuu siten, että leikkuuterää kallistetaan leikkuusuuntaan samalla, kun leikkuria liikutetaan rauhallisesti ja hitaasti eteenpäin nopeudella 3 - 4 sekuntia/metri.

► Kuva47

Sido nauha halutulle korkeudelle ja leikkaa sitä pitkin tasaisen pensaan saavuttamiseksi.

► Kuva48

Jos kerääjä on kiinnitetty teriin, se kerää jättelehdet ja helpottaa siivoamista jälkeensä.

Leikkaa pensaan sivut tasaiseksi aloittamalla alhaalta ylöspäin.

► Kuva49

Leikkattaessa pyöreitä muotoja (pukkipuu tai alppiruusu jne.), leikkaa juuresta ylöspäin kauniin lopputuloksen saavuttamiseksi.

► Kuva50

KUNNOSSAPITO

⚠HUOMIO: Varmista aina ennen tarkastusta tai huoltoa, että työkalu on sammutettu ja akku irrotettu.

Tuotteen TURVALLISUUDEN ja LUOTETTAVUUDEN takaamiseksi korjaukset, muut huoltotyöt ja säädöt on teetettävä Makitan valtuutetussa huoltopisteessä Makitan varaosia käyttäen.

Laitteen puhdistaminen

Puhdista laite pyyhkimällä pölyt kuivalla liinalla tai kostuta liina saippuaveteen ja rutista kuivaksi.

HUOMAUTUS: Älä koskaan käytä bensiiniä, ohenteita, alkoholia tai tms. aineita. Muutoin pinta voi halkeilla tai sen värit ja muoto voivat muuttua. Muutoin laitteeseen voi tulla värjäytyimiä, muodon vääristymiä tai halkeamia.

Terien huolto

Lisää matalaviskositeettista öljyä (koneöljy tai suihkutettava voiteluöljy) teriin ennen käyttöä tai kerran tunnissa käytön aikana.

► Kuva51

► Kuva52

Puhdista käytön jälkeen terien molemmat puolet pölystä harjaamalla, pyyhi terä rievulla ja levitä teriin sitten riittävästi matalaviskositeettista öljyä (koneöljy tai suihkutettava voiteluöljy).

► Kuva53

► Kuva54

HUOMAUTUS: Älä pese teriä vedellä. Tämä voi aiheuttaa terien ruostumisen tai työkalun vaurioitumisen.

HUOMAUTUS: Lika ja korrosio aiheuttavat terien liikkakittaisuuden ja lyhentävät käyttöaika jokaista akun latauksen yhteydessä.

Säilytys

Laitteen pohjassa on ripustusreikä, josta laitteen voi kätevästi ripustaa seinässä olevaan naulaan tai ruuviin. Käytä teräsuojusta, jotta leikkuuterät eivät ole paljaana. Säilytä laitetta lasten ulottumattomissa. Säilytä laitetta paikassa, missä se ei altistu kosteudelle tai sateelle.

► Kuva55: 1. Reikä

► Kuva56: 1. Reikä

LISÄVARUSTEET

⚠HUOMIO: Seuraavia lisävarusteita tai laitteita suositellaan käytettäväksi tässä ohjeessa kuvatun Makita-työkalun kanssa. Muiden lisävarusteiden tai laitteiden käyttö voi aiheuttaa henkilövahinkoja. Käytä lisävarusteita ja -laitteita vain niiden käyttötarkoituksen mukaisesti.

Jos tarvitset apua tai yksityiskohtaisempia tietoja seuraavista lisävarusteista, ota yhteys paikalliseen Makitan huoltoon.

- Leikkuuterä (nurmikon reunaleikkuria varten)
- Leikkuuteräsuojus (nurmikon reunaleikkuria varten)
- Ruohonkerääjä (nurmikon reunaleikkuria varten)
- Pitkä kahva (nurmikon reunaleikkuria varten)
- Leikkuuterä (pensasleikkuria varten)
- Leikkuuteräsuojus (pensasleikkuria varten)
- Lehdenkerääjä (pensasleikkuria varten)
- Säilytyskotelo
- Aito Makita-akku ja -laturi

HUOMAA: Jotkin luettelossa mainitut varusteet voivat sisältyä työkalun toimitukseen vakiovarusteina. Ne voivat vaihdella maittain.

SPECIFIKATIONER

Model:		DUM111
Klippebredde		110 mm
Antal slag pr. minut		2.500 min ⁻¹
Artikelnummer på reserveløklinger	Græsklipper	191N23-4, 195267-4
	Hæktrimmer	191N24-2, 198408-1
Dimensioner (L x B x H)		330 mm x 120 mm x 130 mm
Mærkespænding		18 V DC
Nettovægt		1,4 kg - 1,8 kg

- På grund af vores kontinuerlige forsknings- og udviklingsprogrammer kan hosstående specifikationer blive ændret uden varsel.
- Specifikationer og akku kan variere fra land til land.
- Vægten kan være anderledes afhængigt af tilbehøret, inklusive akkuen. Den letteste og tungeste kombination i henhold til EPTA-procedure 01/2014 er vist i tabellen.

Anvendelig akku og oplader

Akku	BL1815N / BL1820B / BL1830B / BL1840B / BL1850B / BL1860B
Oplader	DC18RC / DC18RD / DC18RE / DC18SD / DC18SE / DC18SF / DC18SH

- Nogle af de akkuer og opladere, der er angivet ovenfor, er muligvis ikke tilgængelige, afhængigt af hvilket område du bor i.

⚠ ADVARSEL: Brug kun de akkuer og opladere, der er angivet ovenfor. Brug af andre akkuer og opladere kan medføre personskaade og/eller brand.

Anbefalet ledningstilsluttet strømforsyningskilde

Bærbar strømforsyning	PDC01
-----------------------	-------

- Den eller de ovenfor anførte ledningstilsluttede strømforsyningskilder er muligvis ikke tilgængelige, afhængigt af hvilket område du bor i.
- Inden du bruger den ledningstilsluttede strømforsyningskilde, skal du læse instruktionen og advarselmærkningerne på dem.

Symboler

Følgende viser de symboler, der muligvis anvendes til udstyret. Sørg for, at du forstår deres betydning før brugen.

	Udvis særlig forsigtighed og opmærksomhed.
	Læs betjeningsvejledningen.
	Fare; pas på kastede genstande.
	Hold omkringstående personer væk.
	De skærende dele fortsætter med at rotere, efter at der er slukket for motoren.
	Må ikke udsættes for fugt.
	Bær sikkerhedsbriller.



FARE - Hold hænder væk fra klingene.



Kun for lande inden for EU
 På grund af tilstedeværelsen af farlige komponenter i udstyret kan affald af elektrisk og elektronisk udstyr, akkumulatører og batterier have en negativ indvirkning på miljøet og folkesundheden.
 Bortskaf ikke elektriske og elektroniske apparater eller batterier sammen med husholdningsaffald! I overensstemmelse med EF-direktiv om affaldshåndtering af elektrisk og elektronisk udstyr og om akkumulatører og batterier og affaldsakkumulatører og -batterier, og i overensstemmelse med national lovgivning, skal brugt elektrisk udstyr, batterier og akkumulatører opbevares separat og leveres til et separat indsamlingssted for kommunalt affald, der er etableret i henhold til bestemmelserne om miljøbeskyttelse. Dette er angivet ved symbolet på den krydsede skraldespand, der er placeret på udstyret.



Garanteret lydeffektivniveau i henhold til EU-direktivet om maskiner til udendørs brug.



Lydeffektivniveau i henhold til Australiens NSW forordning om støjemission

Tilsigtet anvendelse

Denne maskine er beregnet til at klippe kanter af græs-plæner eller småkviste.

Støj

Det typiske A-vægtede støjniveau bestemt i overensstemmelse med EN50636-2-94:

DUM111 med klinge til græsklipper monteret

Lydtryksniveau (L_{pA}): 70 dB (A)

Usikkerhed (K): 1,5 dB (A)

Støjniveauet under arbejdet kan overskride 80 dB (A).

Det typiske A-vægtede støjniveau bestemt i overensstemmelse med EN62841-4-2:

DUM111 med klinge til hæktrimmer monteret

Lydtryksniveau (L_{pA}): 70 dB(A)

Usikkerhed (K): 3 dB(A)

Støjniveauet under arbejdet kan overskride 80 dB (A).

BEMÆRK: De(n) angivne støjemissionsværdi(er) er målt i overensstemmelse med en standardtestmetode og kan anvendes til at sammenligne en maskine med en anden.

BEMÆRK: De(n) angivne støjemissionsværdi(er) kan også anvendes i en præliminær eksponeringsvurdering.

⚠ ADVARSEL: Bær høreværn.

⚠ ADVARSEL: Støjemissionen under den faktiske anvendelse af maskinen kan være forskellig fra de(n) angivne værdi(er), afhængigt af den måde hvorpå maskinen anvendes, især den type arbejdsømne der behandles.

⚠ ADVARSEL: Sørg for at identificere de sikkerhedsforskrifter til beskyttelse af operatøren, som er baseret på en vurdering af eksponering under de faktiske brugsforhold (med hensyntagen til alle dele i brugscyklussen, f.eks. de gange, hvor maskinen er slukket, og når den kører i tomgang i tilgift til afbrydertiden).

Vibration

Vibrationens totalværdi (tre-aksial vektorsum) bestemt i overensstemmelse med EN50636-2-94:

DUM111 med klinge til græsklipper monteret

Vibrationsmission (a_h): 2,5 m/s² eller mindre

Usikkerhed (K): 1,5 m/s²

Vibrationens totalværdi (tre-aksial vektorsum) bestemt i overensstemmelse med EN62841-4-2:

DUM111 med klinge til hæktrimmer monteret

Vibrationsmission (a_h): 2,5 m/s² eller mindre

Usikkerhed (K): 1,5 m/s²

BEMÆRK: De(n) angivne totalværdi(er) for vibration er målt i overensstemmelse med en standardtestmetode og kan anvendes til at sammenligne en maskine med en anden.

BEMÆRK: De(n) angivne totalværdi(er) for vibration kan også anvendes i en præliminær eksponeringsvurdering.

⚠ ADVARSEL: Vibrationsemmissionen under den faktiske anvendelse af maskinen kan være forskellig fra de(n) angivne værdi(er), afhængigt af den måde hvorpå maskinen anvendes, især den type arbejdsømne der behandles.

⚠ ADVARSEL: Sørg for at identificere de sikkerhedsforskrifter til beskyttelse af operatøren, som er baseret på en vurdering af eksponering under de faktiske brugsforhold (med hensyntagen til alle dele i brugscyklussen, f.eks. de gange, hvor maskinen er slukket, og når den kører i tomgang i tilgift til afbrydertiden).

EF-overensstemmelseserklæring

Kun for lande i Europa

EF-overensstemmelseserklæringen er inkluderet som Bilag A i denne brugsanvisning.

SIKKERHEDSADVARSLER

Almindelige sikkerhedsregler for el-værktøj

⚠ ADVARSEL: Læs alle de sikkerhedsadvarsler, instruktioner, illustrationer og specifikationer, der følger med denne maskine. Forsømmelse af at overholde alle nedenstående instruktioner kan medføre elektrisk stød, brand og/eller alvorlig personskade.

Gem alle advarsler og instruktioner til fremtidig reference.

Ordet "el-værktøj" i advarslerne henviser til det netforsynde (netledning) el-værktøj eller batteriforsynde (akku) el-værktøj.

Sikkerhedsadvarsler for akku græsklipper

Generelle instruktioner

1. For at sikre korrekt anvendelse skal brugeren læse denne brugsanvisning for at gøre sig bekendt med håndteringen af udstyret. Brugere, som er utilstrækkeligt informeret, risikerer at udsætte sig selv og andre for fare på grund af forkert håndtering.
2. Lad aldrig børn, personer med reducerede fysiske, motoriske eller mentale færdigheder eller manglende erfaring og viden eller personer, der ikke er bekendt med disse instruktioner, anvende maskinen. Lokale regulativer begrænser muligvis operatørens alder.
3. Anvend udstyret med den største forsigtighed og opmærksomhed.
4. Brug kun udstyret, hvis du er i god fysisk form. Udfør alt arbejde roligt og omhyggeligt. Anvend sund fornuft, og husk, at operatøren eller brugeren er ansvarlig for ulykker eller farlige situationer, der opstår for andre personer eller deres ejendom.

- Anvend aldrig maskinen, når der er personer, især børn, eller kæledyr i nærheden.
- Sluk straks for motoren, hvis udstyret viser problemer eller unormale tegn.
- Sluk for og fjern akkuen, når du hviler dig, og når du lader udstyret ligge uden opsyn, og placer det på et sikkert sted for at undgå fare for andre eller beskadigelse af udstyret.
- Undgå at bruge maskinen i dårligt vejr, især hvis der er risiko for lynnedslag.
- Inspicer skæreværktøjet for beskadigelse med korte regelmæssige mellemrum (registrer fine revner ved en slå-og-lytte-test).
- Skæreværktøjet skal have nået fuld arbejdsstabilitet, før du begynder klipningen.
- Skæreværktøjet skal være udstyret med den passende beskyttelsesskærm. Lad aldrig udstyret køre med beskadigede beskyttelsesskærme, eller hvis beskyttelsesskærmene ikke sidder på plads!
- Alle de beskyttelsesmonteringer og beskyttelsesskærme, der leveres med udstyret, skal anvendes under brugen.
- Fjern altid akkuen fra udstyret:
 - når udstyret efterlades uden opsyn,
 - før du fjerner en hindring,
 - før du efterser, rengør eller arbejder på udstyret,
 - efter at du har ramt et fremmedlegeme,
 - når udstyret begynder at vibrere unormalt.
- Sørg altid for, at ventilationsåbningerne holdes fri for rester.
- De skærende dele fortsætter med at rotere, efter at der er slukket for motoren.
- Hvis klingerne holder op med at bevæge sig under brugen på grund af fremmedlegemer, der sidder fast mellem klingerne, skal du slukke for maskinen og fjerne akkuen og derefter fjerne fremmedlegemerne ved hjælp af redskaber som f.eks. en tang. Hvis du fjerner fremmedlegemerne i hånden, kan det medføre personskade, da klingerne kan bevæge sig som reaktion på fjernelsen af fremmedlegemerne.

Personligt beskyttelsesudstyr

- Bær til enhver tid øjebeskyttelse og solide sko, når du betjener maskinen.
- Bær altid solidt fodtøj og lange bukser, når du betjener maskinen.

Start af udstyret

- Se efter, at der ikke er børn eller andre personer i nærheden, og vær også opmærksom på dyr i nærheden af arbejdsområdet. Ellers skal du holde op med at bruge udstyret.
- Kontroller altid før brug, at det er sikkert at bruge udstyret. Kontroller sikkerheden af skæreværktøjet og beskyttelsesskærmen samt afbryderknappen/håndtaget for nem og korrekt brug. Kontroller, at håndtagene er rene og tørre, og test start/stopknappens funktion.
- Se efter beskadigede dele, før udstyret bruges igen. En beskyttelsesskærm eller anden del, der er beskadiget, skal kontrolleres omhyggeligt for at finde ud af, om den fungerer korrekt og udfører dens tilsigtede funktion. Se efter justering af bevægelige dele, binding af bevægelige dele, dele, som er gået i stykker, montering og andre forhold, der kan påvirke deres funktion. En beskyttelsesskærm eller anden del, der er beskadiget, skal repareres eller udskiftes af vores autoriserede servicecenter, medmindre andet fremgår andetsteds i denne brugervejledning.
- Tænd kun for motoren, når hænder og fødder er på afstand af skæreværktøjet.
- Kontroller før starten, at skæreværktøjet ikke er i kontakt med andre genstande.

Anvendelsesmetode

- Brug kun udstyret i god belysning og sigtbarhed. Om vinteren skal du være opmærksom på glatte eller våde områder, is og sne (risiko for at glide). Sørg altid for at have sikkert fodfæste på skråninger, og sørg for at gå, aldrig løbe.
- Pas på personskade på fødder og hænder fra skæreværktøjet.
- Stå aldrig på en stige, når du bruger udstyret.
- Kravl aldrig op i træer for at foretage en skæring med udstyret.
- Arbejd aldrig på ustabile overflader.
- Fjern sand, sten, søm osv. fra arbejdsområdet. Fremmedpartikler kan beskadige skæreværktøjet og kan forårsage farlige tilbageslag.
- Hvis skæreværktøjet rammer sten eller andre hårde genstande, skal du med det samme slukke for motoren og kontrollere skæreværktøjet.

Skæreværktøjer

Anvend kun det korrekte skæreværktøj til det arbejde, der udføres.

Vedligeholdelsesinstruktioner

- Tilstanden af udstyret, især skæreværktøjet og beskyttelsesenhederne, skal kontrolleres, før arbejdet påbegyndes.
- Sluk for motoren, og fjern akkuen, før du udfører vedligeholdelse, udskifter skæreværktøjer eller rengør udstyret eller skæreværktøjet.
- Når udstyret ikke er i brug, skal det opbevares indendørs på et tørt og højtliggende eller aflåst sted, der er utilgængeligt for børn. Rengør og vedligehold før opbevaring.

GEM DENNE BRUGSANVISNING.

⚠ ADVARSEL: LAD IKKE bekvemmelighed eller kendskab til produktet (opnået gennem gentagen brug) forhindre, at sikkerhedsforskrifterne for produktet nøje overholdes. MISBRUG eller forsømmelse af at følge de i denne brugervejledning givne sikkerhedsforskrifter kan føre til, at De kommer alvorligt til skade.

Sikkerhedsadvarsler for akku hæktrimmer

1. **Hold alle dele af kroppen væk fra klingen. Undlad at fjerne afskåret materiale eller at holde materiale, der skal skæres, når klingerne bevæger sig.** Klinger fortsætter med at rotere, efter at afbryderen er slået fra. Ved brug af hæktrimmeren kan ét øjeblik uopmærksomhed medføre alvorlig personskade.
2. **Bær hæktrimmeren i håndtaget med klingens stoppet og pas på ikke at betjene nogen tænd/sluk-knap.** Korrekt bæring af hæktrimmeren reducerer risikoen for utilsigtet start og medfølgende personskade fra klingerne.
3. **Ved transport eller opbevaring af hæktrimmeren skal klingedækslet altid sættes på.** Korrekt håndtering af hæktrimmeren reducerer risikoen for personskade fra klingerne.
4. **Når der fjernes fastklemt materiale, eller enheden serviceres, skal du sørge for at alle tænd/sluk-knapper er slukket, og at akkuen er fjernet eller afbrudt.** Uventet aktivering af hæktrimmeren, mens der fjernes fastklemt materiale eller udføres service, kan muligvis resultere i personskade.
5. **Hold altid kun i hæktrimmeren i de isolerede grebflader, da klingens muligvis kan komme i berøring med skjulte ledninger.** Hvis klinger kommer i kontakt med en strømførende ledning, kan udsatte metaldele på hæktrimmeren blive strømførende, hvorved operatøren kan få elektrisk stød.
6. **Hold alle netledninger væk fra skærområdet.** Netledninger eller kabler kan muligvis være skjult i hække eller buske og kan ved et uheld skæres over af klingens.
7. **Brug ikke hæktrimmeren i dårligt vejr, især hvis der er risiko for lynnedslag.** Dette reducerer risikoen for, at du rammes af lynnedslag.

Yderligere sikkerhedsinstruktioner

Forberedelse

1. **Kontrollér hækken og buskene for fremmedlegemer som f.eks. trådhegn eller skjulte ledninger, før maskinen anvendes.**
2. **Maskinen må ikke anvendes af børn eller unge på under 18 år.** Unge på over 16 år er muligvis undtaget fra denne begrænsning, hvis de er under oplæring under opsyn af en ekspert.
3. **Førstegangsbrugere bør få en erfaren bruger til at vise dem, hvordan man bruger maskinen.**
4. **Brug kun maskinen, hvis du er i god fysisk form.** Hvis du er træt, vil din opmærksomhed være reduceret. Vær særligt opmærksom sidst på arbejdsdagen. Udfør alt arbejde roligt og omhyggeligt. Brugeren er ansvarlig for enhver skade på tredjepart.
5. **Brug aldrig maskinen under indflydelse af alkohol, narkotika eller medicin.**
6. **Arbejdshandsker af solidt læder er en del af det grundlæggende udstyr til maskinen og skal altid bæres, når du arbejder med den. Bær også solide sko med skridsikre såler.**

7. **Før du påbegynder arbejdet, skal du kontrollere, at maskinen er i god og sikker arbejdstilstand. Kontroller, at beskyttelsesskærme er monteret korrekt. Maskinen må ikke anvendes, medmindre den er fuldt samlet.**

Drift

1. **Hold godt fast i maskinen, når maskinen anvendes.**
2. **Maskinen er kun beregnet til brug af operatøren i jordhøjde. Benyt ikke maskinen på stiger eller noget andet ustabil underlag.**
3. **Bær ikke flere bæltesele og/eller skulderseler på samme tid under betjening af maskinen.**
4. **FARE - Hold hænderne på afstand af klingens. Kontakt med klingens vil medføre alvorlig personskade.**
5. **Brug ikke maskinen i regnvejr eller under våde eller meget fugtige forhold. Den elektriske motor er ikke vandtæt.**
6. **Sørg for at have solidt fodfæste, før du starter brugen.**
7. **Betjen ikke maskinen unødigt uden belastning.**
8. **Sluk med det samme for maskinen, og fjern akkuen, hvis klingerne kommer i kontakt med et hegn eller en anden hård genstand. Kontroller klingerne for beskadigelse, og udskift klingerne med det samme, hvis de er beskadiget.**
9. **Før du kontrollerer klingerne, udbedrer fejl eller fjerner materiale, der sidder fast i klingerne, skal du altid slukke for maskinen og fjerne akkuen.**
10. **Ret aldrig klingerne mod dig selv eller andre.**
11. **Hvis klingerne holder op med at bevæge sig under brugen på grund af fremmedlegemer, der sidder fast mellem klingerne, skal du slukke for maskinen og fjerne akkuen og derefter fjerne fremmedlegemerne ved hjælp af redskaber som f.eks. en tang. Hvis du fjerner fremmedlegemerne i hånden, kan det medføre personskade, da klingerne kan bevæge sig som reaktion på fjernelsen af fremmedlegemerne.**
12. **Undgå farlige miljøer. Brug ikke maskinen på fugtige eller våde steder, og udsæt den ikke for regn. Hvis der kommer vand ind i maskinen, forøger det risikoen for elektrisk stød.**

Vedligeholdelse og opbevaring

1. **Sluk for maskinen, og fjern akkuen, før du udfører vedligeholdelsesarbejde.**
2. **Når maskinen flyttes til et andet sted, herunder under arbejde, skal du altid fjerne akkuen og sætte klingedækslet på klingerne. Du må aldrig bære eller transportere maskinen, mens klingerne kører. Tag aldrig fat i klingerne med hænderne.**
3. **Rengør maskinen og især klingerne efter brug, og fjern akkuen. Læg maskinen på opbevaring i længere tid. Smør klingerne let, og sæt klingedækslet på.**
4. **Opbevar maskinen med klingedækslet på i et tørt værelse. Hold den utilgængelig for børn. Opbevar aldrig maskinen uendørs.**
5. **Undlad at kaste batterierne i åben ild. Celler kan eksplodere. Tjek de lokale regler for eventuelle særlige instruktioner vedrørende bortskaffelse.**

- Undlad at åbne eller mishandle batterierne. Lækket elektrolyt er ætsende og kan medføre skader på øjnene eller huden. Den kan være giftig, hvis den indtages.
- Undlad at oplade batteriet i regnvej eller under våde forhold.

GEM DENNE BRUGSANVISNING.

⚠ ADVARSEL: LAD IKKE bekvemmelighed eller kendskab til produktet (opnået gennem gentagen brug) forhindre, at sikkerhedsforskrifterne for produktet nøje overholdes. MISBRUG eller forsømmelse af at følge de i denne brugsvejledning givne sikkerhedsforskrifter kan føre til, at De kommer alvorligt til skade.

Vigtige sikkerhedsinstruktioner for akkuen

- Læs alle instruktioner og advarselmærkater på (1) akku-opladeren, (2) akkuen og (3) produktet, som anvender akku.
- Adskill eller ændr ikke akkuen. Det kan muligvis resultere i en brand, overdreven varme eller eksplosion.
- Hold straks op med anvendelsen, hvis brugstiden er blevet stærkt afkortet. Forsat anvendelse kan resultere i risiko for overophedning, forbrændinger og endog eksplosion.
- Hvis De har fået elektrolytvæske i øjnene, skal De straks skylle den ud med rent vand og derefter øjeblikkeligt søge lægehjælp. I modsat fald kan De miste synet.
- Vær påpasselig med ikke at komme til at kortslutte akkuen:
 - Rør ikke ved terminalerne med noget ledende materiale.
 - Undgå at opbevare akkuen i en beholder sammen med andre genstande af metal, for eksempel søm, mønter og lignende.
 - Udsæt ikke akkuen for vand eller regn. Kortslutning af akkuen kan forårsage en kraftig øgning af strømmen, overophedning, mulige forbrændinger og endog værktøjstop.
- Opbevar og brug ikke maskinen og akkuen på steder, hvor temperaturen muligvis kan nå eller overstige 50 °C.
- Lad være med at brænde akkuen, selv ikke i tildælde, hvor den har lidt alvorlig skade eller er fuldstændig udtjent. Akkuen kan eksplodere, hvis man forsøger at brænde den.
- Slå ikke søm i, skær ikke i, knus, kast, tab ikke akkuen og stød ikke akkuen mod en hård genstand. Sådan adfærd kan muligvis resultere i en brand, overdreven varme eller eksplosion.
- Anvend ikke en beskadiget akku.
- De indbyggede litium-ion-batterier er underlagt lovkrav vedrørende farligt gods. Ved kommerciel transport, f.eks. af tredjeparts transportselskaber, skal særlige krav til forpakning og mærkning overholdes. Ved forberedelse af udstyret til forsendelse skal du kontakte en ekspert i farligt gods. Overhold også eventuel mere detaljeret national lovgivning. Tape eller tildæk åbne kontakter, og pak batteriet på en måde, så det ikke kan flytte sig rundt i pakningen.

- Når akkuen bortskaftes, skal du fjerne den fra maskinen og bortskaft den på et sikkert sted. Følg de lokale love vedrørende bortskaftelsen af batterier.
- Brug kun batterierne med de produkter, som Makita specificerer. Hvis batterierne installeres i ikke-kompatible produkter, kan det medføre brand, kraftig varme, eksplosion eller udsivning af elektrolyt.
- Hvis maskinen ikke skal bruges i længere tid ad gangen, skal du fjerne batteriet fra maskinen.
- Akkuen kan muligvis under og efter brug være varm, hvilket kan forårsage forbrændinger eller lavtemperaturforbrændinger. Vær påpasselig med håndtering af varme akkuer.
- Rør ikke terminalen på maskinen straks efter brug, da den bliver varm nok til at forårsage forbrændinger.
- Sørg for at spåner, støv eller jord ikke sætter sig fast inde i terminalerne, hullerne og rillerne på akkuen. Det kan muligvis medføre dårlig ydelse eller nedbrud af maskinen eller akkuen.
- Medmindre maskinen understøtter brugen i nærheden af elektriske højspændingsledninger, skal du ikke anvende akkuen i nærheden af elektriske højspændingsledninger. Det kan muligvis medføre funktionsfejl på eller nedbrud af maskinen eller akkuen.
- Opbevar batteriet utilgængeligt for børn.

GEM DENNE BRUGSANVISNING.

⚠ FORSIGTIG: Brug kun originale batterier fra Makita. Brug af uoriginale Makita-batterier, eller batterier som er blevet ændret, kan muligvis medføre brud på batteriet, hvilket kan forårsage brand, personskade eller beskadigelse. Det ugyldiggør også Makita-garantien for Makita-maskinen og opladeren.

Tips til opnåelse af maksimal akku-levetid

- Oplad akkuen, inden den er helt afladet. Stop altid værktøjet, og oplad akkuen, hvis De bemærker, at værktøjeffekten er aftagende.
- Genoplad aldrig en fuldt opladet akku. Overoplading vil afkorte akkuens levetid.
- Oplad akkuen ved stuetemperatur ved 10 °C - 40 °C. Lad altid en varm akku få tid til at køle af, inden den oplades.
- Når du ikke anvender akkuen, skal du fjerne den fra maskinen eller opladeren.
- Oplad akkuen, hvis De ikke skal bruge den i længere tid (mere end seks måneder).

FUNKTIONSBESKRIVELSE

⚠️ FORSIGTIG: Sørg altid for at maskinen er slukket, og at akkuen er taget ud, før der udføres justering eller kontrol af funktioner på maskinen.

Brug af maskinen som akku hækketrimmer

Denne maskine kan også bruges som akku hækketrimmer ved at montere klingerne til hækketrimmeren.

Isætning eller fjernelse af akkuen

⚠️ FORSIGTIG: Sluk altid for værktøjet, før De monterer eller fjerner akkuen.

⚠️ FORSIGTIG: Hold værktøjet og akkuen fast ved montering eller fjernelse af akkuen. Hvis De ikke holder værktøjet og akkuen fast, kan de glide ud af hænderne på Dem og forårsage beskadigelse af værktøjet og akkuen eller personskaade.

► Fig.1: 1. Rød indikator 2. Knap 3. Akku

Akkuen fjernes ved, at De trækker den ud af værktøjet, idet De skyder knappen på forsiden af akkuen i stilling.

For at montere akkuen skal du justere tungen på akkuen med rillen i huset og skubbe den på plads. Indsæt den hele vejen, indtil den låses på plads med et lille klik. Hvis du kan se den røde indikator, som vist i figuren, er den ikke helt låst.

⚠️ FORSIGTIG: Monter altid akkuen helt, indtil den røde indikator ikke længere er synlig. Hvis dette ikke gøres, kan den falde ud af værktøjet ved et uheld, hvorved De selv eller personer i nærheden kan komme til skade.

⚠️ FORSIGTIG: Brug ikke magt ved montering af akkuen. Hvis akkuen ikke glider på plads uden problemer, betyder det, at den ikke sættes i på korrekt vis.

Indikation af den resterende batteriladning

Kun til akkuer med indikatoren

► Fig.2: 1. Indikatorlamper 2. Kontrolknap

Tryk på kontrolknappen på akkuen for at få vist den resterende batteriladning. Indikatorlampen lyser i nogle sekunder.

Indikatorlamper			Resterende ladning
Tændt	Slukket	Blinker	
■	□	◐	75% til 100%
■	■	□	
■	■	□	50% til 75%
■	□	□	25% til 50%
■	□	□	0% til 25%
◐	□	□	Genoplad batteriet.

Indikatorlamper			Resterende ladning
Tændt	Slukket	Blinker	
■	□	◐	Der er muligvis fejl i batteriet.
■	■	□	
□	□	■	

BEMÆRK: Afhængigt af brugsforholdene og den omgivende temperatur kan indikationen afvige en smule fra den faktiske ladning.

BEMÆRK: Den første indikatorlampe (længst mod venstre) vil blinke, når batteribeskyttelsessystemet aktiveres.

Beskyttelsessystem til værktøj/batteri

Maskinen er udstyret med et beskyttelsessystem til maskinen/batteriet. Dette system afbryder automatisk strømmen til motoren for at forlænge maskinens og batteriets levetid. Maskinen stopper automatisk under brugen, hvis maskinen eller batteriet udsættes for et af følgende forhold:

Overbelastningsbeskyttelse

Hvis batteriet bruges på en måde, der får det til at trække en unormalt høj strøm, stopper maskinen automatisk. Sluk i så fald for maskinen, og stop den anvendelse, der medførte overbelastningen af maskinen. Tænd derefter for maskinen for at starte igen.

Beskyttelse mod overophedning

Når batteriet bliver overophedet, stopper maskinen automatisk. Lad i så fald maskinen og batteriet køle af, før der tændes for maskinen igen.

Beskyttelse mod overafledning

Når batteriladningen er utilstrækkelig, stopper maskinen automatisk. Tag i så fald akkuen ud af maskinen, og oplad akkuen.

Afbryderbetjening

⚠️ ADVARSEL: Inden akkuen sættes i maskinen, bør De altid kontrollere, at afbryderknappen fungerer korrekt, og returnerer til "OFF"-positionen, når den slippes.

⚠️ ADVARSEL: Af hensyn til din sikkerhed er maskinen forsynet med lås fra-knap, der forhindrer, at maskinen starter ved et uheld. Brug aldrig maskinen, hvis den starter, når du trykker på afbryderknappen uden at trykke på lås fra-knappen. Kontakt det lokale Makita servicecenter for reparation.

⚠️ ADVARSEL: Du må aldrig deaktivere låsefunktionen eller holde lås fra-knappen nede med tape.

BEMÆRKNING: Undlad at trykke på afbryderknappen med magt uden at trykke på lås fra-knappen. Kontakten kan gå i stykker.

► Fig.3: 1. Afbryderknop 2. Lås fra-knap

For at forhindre, at afbryderknappen trykkes ind ved et uheld, er maskinen udstyret med en aflåseknop. Maskinen startes ved at trykke lås fra-knappen ned og trykke på afbryderknappen. Slip afbryderknappen for at stoppe. Lås fra-knappen kan trykkes ned fra enten højre eller venstre side.

Indikatorlampe

Indikatorlampen blinker eller lyser, når den resterende batteriladning er lav eller tom. Indikatorlampen lyser også, når maskinen bliver overophedet.

► Fig.4: 1. Indikatorlampe

Lampestatus og handling, der skal udføres

Indikatorlampe	Status	Handling, der skal udføres
Lampen blinker rødt.	Den resterende batterikapacitet er lav.	Oplad batteriet.
Lampen lyser rødt. *	Maskinen er stoppet, fordi den resterende batteriladning er tom.	Oplad batteriet.
	Maskinen er stoppet pga. overbelastning.	Sluk for maskinen.

* Det tidspunkt, hvor indikatorlampen begynder at lyse, varierer afhængigt af temperaturen i arbejdsområdet og akkuens tilstand.

Justering af klippehøjden (for græsklipper)

Ekstraudstyr

⚠FORSIGTIG: Ved ændring af klippehøjden skal du sørge for at montere klingedækslet og være forsigtig med ikke at få fingrene i klemme mellem maskinen og græsbakken.

Klippehøjden kan indstilles til tre niveauer (15 mm, 20 mm og 25 mm) ved at ændre græsbakkens faste placering. Klippehøjden uden græsbakken er cirka 10 mm.

1. Skub græsbakken mod forenden af maskinen.

► Fig.5: 1. Græsbakke

2. Skift græsbakkens faste placering ved at flytte den i pilens retning.

► Fig.6

BEMÆRK: Værdien for klippehøjde er vejledende. Den faktiske klippehøjde kan variere afhængigt af forholdene i plænen og jorden.

BEMÆRK: Prøv en testklipning på et mindre synligt sted for at opnå den ønskede højde.

SAMLING

⚠FORSIGTIG: Sørg altid for at maskinen er slukket, og at akkuen er taget ud, før der udføres noget arbejde på maskinen.

⚠FORSIGTIG: Ved udskiftning af klingerne skal du altid bære handsker og montere klingedækslet, så dine hænder og dit ansigt ikke kommer i direkte kontakt med klingerne.

BEMÆRKNING: Ved udskiftning af klingerne må du ikke aftørre fedtstof fra gearet og krumtappen.

Montering eller afmontering af klingedækslet

⚠FORSIGTIG: Pas på ikke at berøre klingerne, når du monterer eller afmonterer klingedækslet.

For at fjerne klingedækslet skal du trække let i det og derefter skubbe det mod siden. Følg fremgangsmåden i omvendt rækkefølge for at montere klingedækslet.

► Fig.7

Montering eller afmontering af græsbakken

Ekstraudstyr

⚠FORSIGTIG: Ved montering eller afmontering af græsbakken skal du sørge for at montere klingedækslet og være forsigtig med ikke at få fingrene i klemme mellem maskinen og græsbakken.

Montering af græsbakken

1. Sæt spændet på græsbakken i rillen på maskinen.

► Fig.8: 1. Spænde 2. Græsbakke

2. Juster fremspringene på græsbakken i forhold til rillerne på maskinen ved at skubbe græsbakken mod forenden af maskinen og flytte den i pilens retning.

► Fig.9

BEMÆRKNING: Undlad at fastgøre spændet på græsbakken på maskinen med magt, efter at du har justeret fremspringene på græsbakken i forhold til rillerne på maskinen.

Afmontering af græsbakken

1. Frigør fremspringene på græsbakken fra rillerne på maskinen, idet græsbakken skubbes mod forenden af maskinen.



► Fig.10: 1. Græsbakke

2. Frigør spændet på græsbakken fra maskinen.

Montering eller afmontering af klingerne til græsklipperen

BEMÆRKNING: Hvis andre dele end klingerne, f.eks. krumtappen, er slidt, skal du bede et autoriseret Makita-servicecenter om udskiftning af dele eller reparation.





Afmontering af klingerne

1. Afmonter græsbakken, hvis den er monteret. Vend maskinen med bunden i vejret.
► **Fig.11**
2. Tryk ned på låsehåndtaget, og drej underdækslet i retningen mod uret, indtil  på underdækslet er justeret i forhold til  på låsehåndtaget.
► **Fig.12:** 1. Underdæksel 2. Låsehåndtag
3. Fjern underdækslet, klingerne og krumtappen.
► **Fig.13:** 1. Underdæksel 2. Klinger 3. Krumtap

Montering af klingerne

1. Forbered krumtappen, underdækslet og de nye klinger.
► **Fig.14:** 1. Krumtap 2. Underdæksel 3. Klinger
2. Fjern klingedækslet fra de gamle klinger, og monter det derefter på de nye.
► **Fig.15:** 1. Klingedæksel
3. Juster de tre stifter, så de er justeret på justeringslinjen.
► **Fig.16:** 1. Justeringslinje
4. Smør en smule fedtstof på kanten af krumtappen. Monter krumtappen på stifterne med de små og store runde ender opad.
► **Fig.17:** 1. Krumtap
5. Juster klingerne og ledepladen, så hullet i ledepladen og de to fremspring på klingerne er justeret i forhold til hinanden.
► **Fig.18:** 1. Ledepåse
6. Vend klingerne med bunden i vejret, og monter dem, så stifterne på maskinen passer ind i hullet på ledepladen. Sørg for, at klingerne sidder godt fast på plads.
► **Fig.19:** 1. Ledepåse

BEMÆRK: Hvis klingedækslet skubbes en smule fremad, er det nemmere at montere klingerne.

7. Placer underdækslet, så  på underdækslet er justeret i forhold til  på låsehåndtaget.
► **Fig.20:** 1. Underdæksel 2. Låsehåndtag
8. Tryk på underdækslet, og drej underdækslet i retningen med uret, indtil  på underdækslet er justeret i forhold til  på låsehåndtaget.
► **Fig.21:** 1. Underdæksel 2. Låsehåndtag
9. Se efter, at låsehåndtaget passer ind i rillen på underdækslet.
► **Fig.22:** 1. Låsehåndtag

⚠FORSIGTIG: Brug aldrig maskinen, uden at underdækslet er monteret.

10. Fjern klingedækslet, og tænd derefter for maskinen for at kontrollere, om den fungerer korrekt.



BEMÆRKNING: Hvis klingerne ikke fungerer korrekt, griber de ikke korrekt ind i krumtappen. Fjern klingerne, og monter dem igen.

Montering eller afmontering af klinge til hækketrimmer

⚠FORSIGTIG: Monter klingedækslet, før klingerne fjernes eller monteres.

BEMÆRKNING: Hvis andre dele end klingerne, f.eks. krumtappen, er sliddt, skal du bede et autoriseret Makita-servicecenter om udskiftning af dele eller reparation.

Afmontering af klingerne

1. Vend maskinen med bunden i vejret.
► **Fig.23**
2. Tryk ned på låsehåndtaget, og drej underdækslet i retningen mod uret, indtil  på underdækslet er justeret i forhold til  på låsehåndtaget.
► **Fig.24:** 1. Låsehåndtag 2. Underdæksel
3. Fjern underdækslet.
► **Fig.25:** 1. Underdæksel
4. Løsn to skruer med en skruetrækker, og fjern klingerne.
► **Fig.26:** 1. Skruer

BEMÆRK: Klingerne kan fjernes uden at fjerne skruerne.

5. Fjern krumtappen fra klingerne.
► **Fig.27:** 1. Krumtap

BEMÆRK: Krumtappen kan blive siddende i maskinen.

BEMÆRK: Monter klingedækslet og opbevaringssæcken til de fjernede klinger, og opbevar derefter klingerne.



Montering af klinger

1. Forbered krumtappen, underdækslet og de nye klinger.
► **Fig.28:** 1. Krumtap 2. Underdæksel 3. Klinger
2. Monter klingedækslet på klingerne.
► **Fig.29:** 1. Klingedæksel
3. Juster de tre stifter, så de er justeret på justeringslinjen.
► **Fig.30:** 1. Justeringslinje
4. Smør en smule fedtstof på kanten af krumtappen. Monter krumtappen på stifterne med dens små og store runde ender nedad.
► **Fig.31:** 1. Krumtap
5. Skub klingerne, så hullet på ledepladen er placeret midt på ringene på klingerne.
► **Fig.32:** 1. Ledepåse
6. Vend klingerne med bunden i vejret, og monter dem, så stiften på maskinen passer ind i hullet på klingerne. Sæt kloen på ledepladen ind i rullen på maskinen. Sørg for, at klingerne sidder godt fast på plads.
► **Fig.33:** 1. Klo 2. Ledepåse


BEMÆRK: Hvis klingedækslet skubbes en smule fremad, er det nemmere at montere klingerne.

7. Stram de to skruer fast med en skruetrækker.

► **Fig.34:** 1. Skruer

8. Placer underdækslet, så  på underdækslet er justeret i forhold til  på låsehåndtaget.

► **Fig.35:** 1. Låsehåndtag 2. Underdækslet

9. Tryk på underdækslet, og drej underdækslet i retningen med uret, indtil  på underdækslet er justeret i forhold til  på låsehåndtaget.

► **Fig.36:** 1. Underdækslet

10. Se efter, at låsehåndtaget passer ind i rillen på underdækslet.

► **Fig.37:** 1. Låsehåndtag

⚠FORSIGTIG: Brug aldrig maskinen, uden at underdækslet er monteret.

11. Fjern klingedækslet, og tænd derefter for maskinen for at kontrollere, om maskinen fungerer korrekt.

BEMÆRKNING: Hvis klingerne ikke fungerer korrekt, griber de ikke korrekt ind i krumtappen. Fjern klingerne, og monter dem igen.

Montering eller afmontering af spånbakken

Ekstraudstyr

⚠FORSIGTIG: Ved montage eller afmontering af spånbakken skal du altid bære handsker og montere klingedækslet, så dine hænder og dit ansigt ikke kommer i direkte kontakt med klingene.

Spånbakken opsamler fraskårne blade og gør den efterfølgende rengøring meget lettere. Den kan monteres på begge sider af maskinen.

For at montere spånbakken skal du trykke den mod klingerne, så krogene passer ind i hullerne på klingerne.

► **Fig.38:** 1. Krog 2. Huller

For at afmontere spånbakken skal du trykke på håndtagene i begge sider for at frigøre krogene.

► **Fig.39:** 1. Håndtag

BEMÆRKNING: Forsøg aldrig at fjerne spånbakken ved at udøve voldsom magt, når krogene er låst ind i hullerne i klingerne.

ANVENDELSE

⚠ADVARSEL: Før klipning skal du fjerne grene og sten fra klipningsområdet. Fjern desuden eventuelt ukrudt fra klipningsområdet, før du går i gang.

► **Fig.40**

⚠ADVARSEL: Hold hænderne på afstand af klinger.

⚠FORSIGTIG: Undgå så vidt muligt at anvende maskinen i meget varmt vejr. Vær opmærksom på din fysiske tilstand, når du anvender maskinen.

Klipning (for græsklipper)

Tænd for maskinen efter at have justeret klippehøjden, og hold den, så maskinens bund hviler mod jorden. Flyt forsigtigt maskinen fremad.

► **Fig.41**

Ved klipning omkring kantsten, hegn eller træer skal du flytte maskinen langs med dem. Sørg for, at klingerne ikke kommer i kontakt med dem.

► **Fig.42**

Ved klipning af småkviste eller blade på et lille træ skal du beskære en smule ad gangen.

► **Fig.43**

Beskær større grene til den ønskede højde ved hjælp af en grensaks, før du bruger denne maskine.

BEMÆRKNING: Brug ikke maskinen på en måde, der får motoren til at gå i stå eller dreje meget langsomt.

BEMÆRKNING: Forsøg ikke at skære tykke grene.

BEMÆRKNING: Lad ikke klingerne komme i kontakt med jorden under brug. Klingerne bliver sløve, hvilket medfører dårlig ydeevne.

BEMÆRKNING: Undlad at klippe vådt græs eller blade på små træer.

Klipning af en lang græsplæne

Forsøg ikke at klippe langt græs på én gang. Klip i stedet græsplænen i flere trin. Lad der gå en dag eller to mellem klipningerne, indtil græsplænen er lige kort over det hele.

► **Fig.44**

BEMÆRK: Hvis langt græs klippes til en kort længde på én gang, kan det få græsset til at gå ud.

Trimning (for hæktrimmer)

⚠FORSIGTIG: Vær forsigtig med ikke at ramme et metalhegn eller andre hårde genstande ved et uheld under trimningen. Klingerne kan gå i stykker og forårsage personskade.

⚠FORSIGTIG: Vær forsigtig med ikke at lade klingerne komme i kontakt med jorden. Maskinen kan slå tilbage og forårsage personskade.

⚠FORSIGTIG: Det er ekstremt farligt at strække sig for langt med en hæktrimmer, især fra en stige. Undlad at arbejde, mens du står på en ustabil eller usikker platform.

BEMÆRKNING: Forsøg ikke at klippe grene, der er tykkere end 10 mm i diameter, med maskinen. Beskær grene til 10 cm under skærehøjden ved hjælp af en grensaks, før du bruger denne maskine.

► **Fig.45:** (1) Skærehøjde (2) 10 cm

BEMÆRKNING: Undlad at beskære døde træer eller lignende hårde genstande. Hvis du gør dette, kan det beskadige maskinen.

BEMÆRKNING: Undlad at trimme græs eller ukrudt, mens du bruger klingerne. Klingerne kan blive viklet ind i græsset eller ukrudtet.

Hold maskinen i den ene hånd, tryk på afbryderknappen, mens der trykkes på lås fra-knappen, og flyt den derefter fremad.

► Fig.46

Ved almindelig brug skal du vippe klingerne i trimningsretningen og flytte den roligt og langsomt med en hastighed på 3 til 4 sekunder pr. meter.

► Fig.47

Hvis du hænger en snor i den ønskede højde og trimmer langs den, kan det hjælpe dig med at klippe toppen af hækken jævnt.

► Fig.48

Hvis spånbakken er monteret på klingerne, opsamlers den bortskårne blade og gør den efterfølgende rengøring meget lettere.

For at klippe siden af en hæk jævnt skal du klippe fra bunden mod toppen.

► Fig.49

Ved beskæring for at opnå en rund form (trimning af buksbom eller rododendron osv.) skal du trimme fra roden mod toppen for at opnå en flot finish.

► Fig.50

VEDLIGEHOOLDELSE

⚠FORSIGTIG: Vær altid sikker på, at værktøjet er slukket, og at akkuen er taget ud, inden De begynder at udføre inspektion eller vedligeholdelse.

For at opretholde produktets SIKKERHED og PÅLIDELIGHED må reparation, vedligeholdelse eller justering kun udføres af et autoriseret Makita servicecenter eller fabrikksservicecenter med anvendelse af Makita reservedele.

Rengøring af maskinen

Rengør maskinen ved at aftørre støv med en tør klud eller en klud, der er dyppet i sæbevand og vredet.

BEMÆRKNING: Anvend aldrig benzin, rensebenzin, fortynder, alkohol og lignende. Det kan medføre misfarvning, deformering eller revner.

Vedligeholdelse af klinger

Før brugen eller én gang i timen under brug skal du smøre olie med lav viskositet (maskinolie eller smøreolie af spraytypen) på klingerne.

► Fig.51

► Fig.52

Efter brugen skal du fjerne støv fra begge sider af klingerne med en trådbørste, tørre dem af med en klud og derefter smøre olie med lav viskositet (maskinolie eller smøreolie af spraytypen) på klingerne.

► Fig.53

► Fig.54

BEMÆRKNING: Undgå at vaske klingerne i vand. Dette kan medføre rust eller beskadigelse af maskinen.

BEMÆRKNING: Snavs og rust medfører kraftig klingefriktion og forkorter driftstiden mellem batteriopladninger.

Opbevaring

Kroghullet i bunden af maskinen er praktisk til at hænge maskinen på et søm eller en skrue i væggen.

Monter klingedækslet på klingerne, så klingerne ikke er blottet. Opbevar maskinen utilgængeligt for børn.

Opbevar maskinen på et sted, der ikke er udsat for fugt eller regn.

► Fig.55: 1. Hul

► Fig.56: 1. Hul

EKSTRAUDSTYR

⚠FORSIGTIG: Det følgende tilbehør og ekstraudstyr er anbefalet til brug med Deres Makita maskine, der er beskrevet i denne brugsanvisning. Anvendelse af andet tilbehør eller ekstraudstyr kan udgøre en risiko for personskade. Anvend kun tilbehør og ekstraudstyr til det beskrevne formål.

Hvis De behøver hjælp ved valg af tilbehør eller ønsker yderligere informationer, bedes De kontakte Deres lokale Makita servicecenter.

- Klingemontering (til brug som græsklipper)
- Dæksel til klinge (til brug som græsklipper)
- Græsbakke (til brug som græsklipper)
- Tilbehør til langt håndtag (til brug som græsklipper)
- Klingemontering (til brug som hæktrimmer)
- Dæksel til klinge (til brug som hæktrimmer)
- Spånbakke (til brug som hæktrimmer)
- Opbevaringsæske
- Original Makita akku og oplader

BEMÆRK: Nogle ting på denne liste kan være inkluderet i værktøjspakken som standardtilbehør. Det kan være forskellige fra land til land.

SPECIFIKĀCIJAS

Modelis:		DUM111
Griešanas platums		110 mm
Gājienu minūtē		2 500 min ⁻¹
Rezerves šķēru asmeņu daļas numurs	Zāles šķēres	191N23-4, 195267-4
	Dzīvžoga griezējs	191N24-2, 198408-1
Izmēri (G × P × A)		330 mm × 120 mm × 130 mm
Nominālais spriegums		Līdzstrāva 18 V
Neto svars		1,4 kg – 1,8 kg

- Nepārtrauktās izpētes un izstrādes programmas dēļ šeit uzrādītās specifikācijas var tikt mainītas bez brīdinājuma.
- Specifikācijas un akumulatora kasetne var atšķirties dažādās valstīs.
- Svārs var būt atšķirīgs atkarībā no papildierīces (-ēm), tostarp akumulatora kasetnes. Tabulā ir attēlota vieglākā un smagākā kombinācija atbilstoši EPTA procedūrai 01/2014.

Piemērotā akumulatora kasetne un lādētājs

Akumulatora kasetne	BL1815N / BL1820B / BL1830B / BL1840B / BL1850B / BL1860B
Lādētājs	DC18RC / DC18RD / DC18RE / DC18SD / DC18SE / DC18SF / DC18SH

- Daži no iepriekš norādītajiem lādētājiem un akumulatora kasetnēm var nebūt pieejami atkarībā no jūsu mītnes reģiona.

▲BRĪDINĀJUMS: Izmantojiet vienīgi iepriekš norādītās akumulatora kasetnes un lādētājus. Cita tipa akumulatora kasetņu un lādētāju izmantošana var radīt traumu un/vai aizdegšanās risku.

Ieteicamais ar vadu savienojamais barošanas avots

Pārnēsājams barošanas bloks	PDC01
-----------------------------	-------

- Iepriekš norādītais (-ie) ar vadu savienojamais (-ie) barošanas avots (-i) var nebūt pieejams (-i) atkarībā no jūsu mītnes reģiona.
- Pirms izmantojat ar vadu savienojamo barošanas avotu, izlasiet instrukcijas un uz tā redzamos brīdinājumus.

Simboli

Tālāk ir attēloti simboli, kas var attiekties uz darbarīka lietošanu. Pirms darbarīka izmantošanas pārliecinieties, vai pareizi izprotat to nozīmi.

	Esiet īpaši rūpīgs un uzmanīgs.
	Izlasiet lietošanas rokasgrāmatu.
	Bīstami! Sargieties no izviesiem priekšmetiem.
	Neļaujiet nevienam atrasties darba vietas tuvumā.
	Griešanas elementi turpina griezties pēc motora izslēgšanas.
	Nepakļaujiet mitru iedarbībai.

Izmantojiet aizsargbrilles.

BĪSTAMI! Netuviniet rokas asmenim.

Tikai ES valstīm
Tā kā šajā aprīkojumā ir bīstamas sastāvdaļas, elektrisko un elektronisko iekārtu, akumulatoru un bateriju atkritumi var negatīvi ietekmēt apkārtējo vidi un cilvēka veselību.
Elektroierīces, elektroniskās ierīces un akumulatorus nedrīkst izmest kopā ar mājsaimniecības atkritumiem!
Saskaņā ar Eiropas direktīvu par elektrisko un elektronisko iekārtu atkritumiem, akumulatoriem un baterijām, kā arī akumulatoru un bateriju atkritumiem un šīs direktīvas pielāgošanu valsts tiesību aktiem elektrisko un elektronisko iekārtu, bateriju un akumulatoru atkritumi ir jāglabā atsevišķi un jānogādā uz sadzīves atkritumu dalītās savākšanas vietu, ievērojot attiecīgos vides aizsardzības noteikumus.
Par to liecina uz iekārtas redzams simbols ar pārsvītrotu atkritumu konteineru uz riteņiem.



Garantētais skaņas jaudas līmenis saskaņā ar ES Direktīvu par troksni ārpus telpām.



Skaņas jaudas līmenis saskaņā ar Austrālijas NSW trokšņu kontroles noteikumiem

Paredzētā lietošana

Šis darbarīks ir paredzēts zālāju malu vai atvašu apgriešanai.

Trokšņa līmenis

Tipiskais A svērtais trokšņa līmenis noteikts saskaņā ar EN50636-2-94:

DUM111 ar uzstādītu šķēru asmeni zāles šķērēm

Skaņas spiediena līmenis (L_{pA}): 70 dB (A)

Mainīgums (K): 1,5 dB (A)

Darbības laikā trokšņa līmenis var pārsniegt 80 dB (A).

Tipiskais A svērtais trokšņa līmenis noteikts saskaņā ar EN62841-4-2:

DUM111 ar uzstādītu šķēru asmeni dzīvzoga apgriezējmašīnai

Skaņas spiediena līmenis (L_{pA}): 70 dB(A)

Mainīgums (K): 3 dB(A)

Darbības laikā trokšņa līmenis var pārsniegt 80 dB (A).

PIEZĪME: Paziņotā trokšņa emisijas vērtība noteikta atbilstoši standartā pārbaudes metodei, un to var izmantot, lai salīdzinātu vienu darbarīku ar citu.

PIEZĪME: Paziņoto trokšņa emisijas vērtību arī var izmantot iedarbības sākotnējā novērtējumā.

▲BRĪDINĀJUMS: Lietojiet ausu aizsargus.

▲BRĪDINĀJUMS: Trokšņa emisija patiesos darba apstākļos var atšķirties no paziņotās vērtības atkarībā no darbarīka izmantošanas veida un jo īpaši atkarībā no apstrādājamā materiāla veida.

▲BRĪDINĀJUMS: Lai aizsargātu lietotāju, nosakiet drošības pasākumus, kas pamatoti ar iedarbību reālos darba apstākļos (ņemot vērā visus ekspluatācijas cikla posmus, piemēram, laiku, kamēr darbarīks ir izslēgts un kad darbojas tukšgaitā, kā arī palaides laiku).

Vibrācija

Vibrācijas kopējā vērtība (trīsasu vektora summa) noteikta atbilstoši EN50636-2-94:

DUM111 ar uzstādītu šķēru asmeni zāles šķērēm

Vibrācijas izmete (a_h): 2,5 m/s² vai mazāk

Mainīgums (K): 1,5 m/s²

Vibrācijas kopējā vērtība (trīsasu vektora summa) noteikta atbilstoši EN62841-4-2:

DUM111 ar uzstādītu šķēru asmeni dzīvzoga apgriezējmašīnai

Vibrācijas izmete (a_h): 2,5 m/s² vai mazāk

Mainīgums (K): 1,5 m/s²

PIEZĪME: Paziņotā kopējā vibrācijas vērtība noteikta atbilstoši standartā pārbaudes metodei, un to var izmantot, lai salīdzinātu vienu darbarīku ar citu.

PIEZĪME: Paziņoto kopējo vibrācijas vērtību arī var izmantot iedarbības sākotnējā novērtējumā.

▲BRĪDINĀJUMS: Vibrācijas emisija patiesos darba apstākļos var atšķirties no paziņotās vērtības atkarībā no darbarīka izmantošanas veida un jo īpaši atkarībā no apstrādājamā materiāla veida.

▲BRĪDINĀJUMS: Lai aizsargātu lietotāju, nosakiet drošības pasākumus, kas pamatoti ar iedarbību reālos darba apstākļos (ņemot vērā visus ekspluatācijas cikla posmus, piemēram, laiku, kamēr darbarīks ir izslēgts un kad darbojas tukšgaitā, kā arī palaides laiku).

EK atbilstības deklarācija

Tikai Eiropas valstīm

EK atbilstības deklarācija šajā lietošanas rokasgrāmātā ir iekļauta kā A pielikums.

DROŠĪBAS BRĪDINĀJUMI

Vispārīgi elektrisko darbarīku drošības brīdinājumi

▲BRĪDINĀJUMS: Izlasiet visus drošības brīdinājumus, instrukcijas, apskatiet ilustrācijas un tehniskos datus, kas iekļauti mehanizētā darbarīka komplektācijā. Ja netiek ievēroti visi tālāk minētie noteikumi, var tikt izraisīta elektrotrauma, notikt aizdegšanās un/vai rasties smagas traumas.

Glabājiet visus brīdinājumus un norādījumus, lai varētu tajos ieskatīties turpmāk.

Termins „elektrisks darbarīks” brīdinājumos attiecas uz tādu elektrisko darbarīku, ko darbina ar elektrību (ar vadu), vai tādu, ko darbina ar akumulatoru (bez vada).

Drošības brīdinājumi bezvada zāles šķēru lietošanai

Vispārēji norādījumi

- Lai nodrošinātu pareizu ekspluatāciju, lietotājam jāizlasa šī lietošanas rokasgrāmata un jāiepazīstas ar ierīces izmantošanu. Lietotāji, kas nebūs pietiekami labi informēti, pakļaus sevi un arī citus riskam, nepareizi rīkojoties ar ierīci.
- Šo ierīci nedrīkst izmantot bērni, personas ar samazinātām fiziskām, uztveres vai garīgām spējām, personas, kam trūkst pieredzes un zināšanu, vai personas, kas nepārzina šos ierīces lietošanas norādījumus; vietējā likumdošanā var būt noteikti lietotāja vecuma ierobežojumi.
- Ierīci lietojot ar vislielāko rūpību un uzmanību.
- Ierīci izmantojiet tikai tad, ja esat labā fiziskā stāvoklī. Visus darbus veiciet mierīgi un uzmanīgi. Sekojiet savai darbībai un ņemiet vērā, ka operators vai lietotājs ir atbildīgs par negadījumiem vai apdraudējumu, kas radīts citiem cilvēkiem vai to īpašumam.

5. Nekad nestrādājiet ar ierīci, ja tuvumā ir cilvēki, jo īpaši bērni, vai dzīvnieki.
6. Motors jāizslēdz nekavējoties, ja ierīcei pamanāt kādu problēmu vai novirzi.
7. Izslēdziet ierīci un izņemiet akumulatora kasetni atpūtas laikā un atstājot ierīci bez uzraudzības, kā arī novietojiet to drošā vietā, lai nepakļautu riskam citus un lai nebojātu ierīci.
8. Neizmantojiet ierīci sliktos laikapstākļos, sevišķi laikā, kad iespējams zibens.

Individuālās aizsardzības līdzekļi

1. Vienmēr, strādājot ar ierīci, izmantojiet acu aizsarglīdzekļus un valkājiet izturīgus apavus.
2. Lietojot darbarīku, vienmēr uzvelciet piemērotus apavus un garās bikses.

Ierīces iedarbināšana

1. Pārliecinieties, ka tuvumā neatrodas bērni vai citi cilvēki, kā arī uzmanieties no tuvumā esošiem dzīvniekiem. Pretējā gadījumā pārtrauciet ierīces lietošanu.
2. Pirms lietošanas vienmēr pārbaudiet, vai ierīce ir ekspluatācijā droša. Pārbaudiet griešanas instrumenta un aizsarga drošību; pārbaudiet, vai slēdža mēlīte/svira darbojas viegli un pareizi. Pārbaudiet, vai rokturi ir tīri un sausi un pārbaudiet ieslēgšanas/izslēgšanas darbību.
3. Pirms ierīces izmantošanas pārbaudiet, vai tai nav bojātas daļas. Bojāts aizsargs vai cita daļa rūpīgi jāpārbauda, lai noteiktu, vai tā darbosies pareizi un pildīs paredzēto funkciju. Pārbaudiet, vai kustīgās daļas ir pareizi salāgotas, vai tās var brīvi kustēties, vai daļas nav salūzušas; pārbaudiet to stiprinājumus un citus apstākļus, kas var ietekmēt darbarīka darbību.
4. Pirms ierīces izmantošanas pārbaudiet, vai ierīcei nav bojātas daļas. Bojāts aizsargs vai citas daļas pienācīgi jāsaremontē vai jānomaina pilnvarotā apkopes centrā, ja vien šajā lietošanas rokasgrāmatā nav norādīts citādi.
5. Motoru ieslēdziet tikai tad, ja rokas un kājas neatrodas griešanas instrumenta tuvumā.
6. Pirms iedarbināšanas pārbaudiet, vai griešanas instruments nesaskaras ar kādu priekšmetu.

Ekspluatācijas metode

1. Ierīci izmantojiet tikai labā apgaismojumā un redzamībā. Ziemā esiet uzmanīgs slidenās vai slapjās vietās, uz ledus un sniegā (paslīdēšanas risks). Vienmēr nodrošiniet, lai uz nogāzēm būtu droša pārvietošanās; vienmēr ejiet, neskrieniet.
2. Uzmanieties, lai griešanas instruments nesavainotu kājas un rokas.
3. Nekad nestāviet uz pieslienamajām kāpnēm ar iedarbinātu ierīci.
4. Nekad nekāpiet kokā, lai veiktu griešanu ar ierīci.
5. Nekad nestrādājiet uz nestabilām virsmām.
6. Darba vietā novāciet smiltis, akmeņus, naglas utt. Svešķermeņi var bojāt griešanas instrumentu un var izraisīt bīstamus atsitienus.

7. Ja griešanas instruments trāpa akmeņiem vai citiem cietiem priekšmetiem, nekavējoties izslēdziet motoru un pārbaudiet griešanas instrumentu.
8. Regulāri īsos intervālos pārbaudiet, vai griešanas instrumentam nav bojājumu (sīkas plaisas nosakiet ar uzsīšanas trokšņa pārbaudi).
9. Pirms griešanas uzsākšanas griešanas instrumentam ir jāsasniedz pilns darba ātrums.
10. Griešanas instruments jāaprīko ar piemērotu aizsargu. Nekad nelietojiet ierīci ar bojātu aizsargu vai bez tā!
11. Ekspluatācijas laikā jāizmanto viss aizsargaprīkojums un visi aizsargi, kas piegādāti kopā ar ierīci.
12. Vienmēr izņemiet akumulatora kasetni no ierīces norādītajās situācijās:
 - atstājot ierīci bez uzraudzības;
 - pirms nosprostojuma tīrīšanas;
 - pirms ierīces pārbaudīšanas, tīrīšanas vai strādāšanas ar to;
 - pēc atsišanās pret kādu priekšmetu;
 - ja ierīce sāk neparasti vibrēt.
13. Vienmēr nodrošiniet, lai ventilācijas atverēs nebūtu netīrumu.
14. Griešanas elementi turpina griezties pēc motora izslēgšanas.
15. Ja asmeņi apstājas, jo ekspluatācijas laikā starp asmeņiem iesprūduši svešķermeņi, izslēdziet darbarīku un izņemiet akumulatora kasetni, tad, izmantojot instrumentus, piemēram, knaibles, izņemiet svešķermeņus. Iespējams savainoties, izņemot svešķermeņus ar roku, jo izņemšanas laikā asmeņu darbība var izraisīt asmeņu kustēšanos.

Griešanas instrumenti

Izmantojiet tikai pareizo griešanas instrumentu paredzētajam darbam.

Tehniskās apkopes norādījumi

1. Pirms darba sākšanas pārbaudiet ierīces stāvokli – īpaši pārbaudiet griešanas instrumenta aizsargierīces.
2. Pirms tehniskās apkopes darbiem, griešanas instrumenta nomaiņas vai ierīces vai griešanas instrumenta tīrīšanas izslēdziet motoru un izņemiet akumulatora kasetni.
3. Kad ierīce netiek izmantota, glabājiet to iekšējā telpā, sausā un augstu novietotā vai aizslēgtā vietā, kur nevar piekļūt bērni. Pirms glabāšanas ierīci iztīriet un veiciet tās apkopi.

SAGLABĀJIET ŠOS NORĀDĪJUMUS.

▲BRĪDINĀJUMS: NEPIEĻAUJIET to, ka labu iemaņu vai izstrādājuma labas pārzināšanas (darbarīku atkārtoti ekspluatējot) rezultātā vairs stingri neievērojāt šī izstrādājuma drošības noteikumus. NEPAREIZI LIETOJOT darbarīku vai neievērojot šajā instrukciju rokasgrāmatā minētos drošības noteikumus, var tikt gūtas smagas traumas.

Drošības noteikumi bezvadu dzīvzoga apgriezēja mašīnas lietošanai

1. Visas ķermeņa daļas turiet pēc iespējas tālāk no asmens. Kad asmeņi kustas, neņemiet nogrieztu materiālu un neturiet griezamo materiālu. Asmeņi turpina kustību arī pēc izslēgšanas. Dzīvzoga griezēja lietošanas laikā īss neuzmanības brīdis var izraisīt nopietnas traumas.
2. Nesiet dzīvzoga griezēju, turot to aiz roktura, kad asmens ir apstājies, un uzmanieties, lai nedarbinātu ieslēgšanas slēdzi. Pareiza dzīvzoga griezēja nešana samazinās nejaušas ieslēgšanas risku un asmeņu radītas traumas.
3. Transportējot vai glabājot dzīvzoga griezēju, vienmēr uzlieciet asmeņu apvalku. Pareiza rīcība ar dzīvzoga griezēju samazinās asmeņu radītas traumas.
4. Tīrot iestrēgušu materiālu vai veicot apkopi, raugieties, lai visi ieslēgšanas slēdži ir izslēgtā pozīcijā un akumulatora bloks ir izņemts vai atvienots. Nejaūša dzīvzoga griezēja nostrāde, tīrot iestrēgušu materiālu vai veicot apkopi, var izraisīt smagas traumas.
5. Turiet dzīvzoga griezēju tikai pie izolētajām satveršanas virsmām, jo asmens var saskarties ar apslēptu elektroinstalāciju. Asmeņiem saskaroties ar vadu, kurā ir spriegums, dzīvzoga griezēja ārējās metāla daļas var vadīt strāvu un pakļaut lietotāju elektriskās strāvas trieciena riskam.
6. Turiet visus barošanas vadus un kabeļus prom no griešanas zonas. Barošanas vadi vai kabeļi var būt paslēpti dzīvzoga vai krūmos, un tos var netīšām pārgriezt ar asmeni.
7. Neizmantojiet dzīvzoga griezēju sliktos laikapstākļos, jo īpaši laikā, kad iespējams zibens. Tādējādi tiek samazināts zibens spēriena risks.

Papildus drošības norādījumi

Sagatavošanās

1. Pirms darbarīka lietošanas pārbaudiet, vai dzīvzoga vai krūmos neatrodas traucējoši priekšmeti, piemēram, stieņus žogs vai vadi.
2. Darbarīku nedrīkst izmantot bērni vai jaunieši, kas jaunāki par 18 gadiem. Jauniešus, kam ir vairāk par 16 gadiem, var neiekļaut šajā ierobežojumā, ja tie saņem apmācību speciālista uzraudzībā.
3. Pirmajā lietošanas reizē lietotājiem ir jāpieaicina pieredzējis darbarīka lietotājs, kas parādītu, kā tas ir jālieto.
4. Darbarīku lietojiet tikai tad, ja esat labā fiziskā stāvoklī. Ja esat noguris, jūsu uzmanība būs samazināta. Īpaši uzmanīgi esiet darba dienas beigās. Visus darbus veiciet mierīgi un uzmanīgi. Lietotājs ir atbildīgs par visiem bojājumiem trešajai pusei.
5. Nekad nelietojiet darbarīku alkohola, narkotisko vielu vai medikamentu ietekmē.
6. Darbarīka pamata aprīkojumā ir ietverti izturīgas ādas darba cimdi, un darbarīka lietošanas laikā tie vienmēr ir jāvalkā. Uzvelciet arī stingrus apavus ar neslīdošu zoli.

7. Pirms darba uzsākšanas pārbaudiet, vai darbarīks ir labā un drošā darba kārtībā. Nodrošiniet, ka aizsargi ir uzstādīti atbilstoši. Ja darbarīks nav pilnībā samontēts, to nedrīkst lietot.

Ekspluatācija

1. Darba laikā stingri turiet darbarīku.
2. Darbarīks ir paredzēts lietošanai, lietotājam atrodoties zemes līmenī. Neizmantojiet darbarīku, atrodoties uz trepēm vai uz cita nestabila atbalsta.
3. Darbarīka izmantošanas laikā nevāļķājiet vienlaicīgi vairākas drošības siksnas un/vai plecu siksnas.
4. **BĪSTAMI** - Netuviniet rokas asmenim. Saskaņoties ar asmeni, varat gūt smagas traumas.
5. Neizmantojiet darbarīku lietus laikā, mitros vai drēgnos apstākļos. Elektromotors nav ūdensizturīgs.
6. Pirms darba uzsākšanas pārliecinieties, ka stāvat uz drošas pamatnes.
7. Lieki nedarbiniet darbarīku bez slodzes.
8. Ja šķēru asmeņi saskaras ar sētu vai citu cietu priekšmetu, nekavējoties izslēdziet darbarīku un izņemiet akumulatora kasetni. Pārbaudiet, vai asmeņi nav bojāti, un, ja ir bojāti, nekavējoties nomainiet asmeņus.
9. Pirms šķēru asmeņu pārbaudīšanas, bojājumu novērtēšanas vai šķēru asmeņu iesprūdušo materiālu izņemšanas vienmēr izslēdziet darbarīku un izņemiet akumulatora kasetni.
10. Nekādā gadījumā nevērsiet šķēru asmeņus pret sevi vai citiem.
11. Ja asmeņi apstājas, jo ekspluatācijas laikā starp asmeņiem iesprūduši svešķermeņi, izslēdziet darbarīku un izņemiet akumulatora kasetni, tad, izmantojot instrumentus, piemēram, knaibles, izņemiet svešķermeņus. Iespējams savainoties, izņemot svešķermeņus ar roku, jo izņemšanas laikā asmeņu darbība var izraisīt asmeņu kustēšanos.
12. Izvairieties no bīstamas vides. Darbarīku neizmantojiet mitrās vai slapjās vietās un lietū. Ja darbarīkā iekļūts ūdens, palielināsies elektrotraumas rašanās draudi.

Apkope un glabāšana

1. Pirms tehniskās apkopes veikšanas izslēdziet darbarīku un izņemiet akumulatora kasetni.
2. Pārvietojot darbarīku uz citu vietu, arī darba laikā, vienmēr izņemiet akumulatora kasetni un uz šķēru asmeņiem uzlieciet asmeņu apvalku. Nekad nenesiet un netransportējiet darbarīku, ja asmeņi darbojas. Asmeņus nekad nedrīkst satvert ar rokām.
3. Pēc darbarīka lietošanas un pirms novietošanas glabāšanā uz ilgāku laika periodu vienmēr tīriet darbarīku, it īpaši šķēru asmeņus. Nedaudz ieeļļojiet asmeņus un uzlieciet asmeņu apvalku.
4. Darbarīku glabājiet ar uzliktu asmeņu apvalku un sausā telpā. Glabājiet bērnien nepieejamā vietā. Nekad neglabājiet darbarīku ārā.
5. Nemetiet akumulatoru ugunī. Elements var sprāgt. Skatiet attiecīgos valsts noteikumus, lai uzzinātu īpašus norādījumus izmešanai atkritumos.

- Akumulatorus nedrīkst atvērt vai sabojāt. Iztecējušais elektrolīts ir kodīgs un var nodarīt kaitējumu acīm vai ādai. Norijot tas var būt toksisks.
- Nelādējiet akumulatoru lietū vai mitrās vietās.

SAGLABĀJIET ŠOS NORĀDĪJUMUS.

⚠BRĪDINĀJUMS: NEPIEĻAUJIET to, ka labu iemaņu vai izstrādājuma labas pārzināšanas (darbarīku atkārtoti ekspluatējot) rezultātā vairs stingri neievērojāt šī izstrādājuma drošības noteikumus. NEPAREIZI LIETOJOT darbarīku vai neievērojot šajā instrukciju rokasgrāmatā minētos drošības noteikumus, var tikt gūtas smagas traumas.

Svarīgi drošības norādījumi par akumulatora kasetni

- Pirms akumulatora lietošanas izlasiet visus norādījumus un brīdinājumus, kuri attiecas uz (1) akumulatora lādētāju, (2) akumulatoru un (3) ierīci, kurā tiek izmantots akumulators.
- Akumulatora kasetni nedrīkst ne pārveidot, ne izjaukt. Citādi var tikt izraisīta aizdegšanās, pārmērīgs karstums vai sprādziens.
- Ja akumulatora darbības laiks kļūva ievērojami īsāks, nekavējoties pārtrauciet to izmantot. Citādi, tas var izraisīt pārkarsējumu, uzliesmojumu vai pat sprādzienu.
- Ja elektrolīts nonāk acīs, izskalojiet tās ar tīru ūdens un nekavējoties griezieties pie ārsta. Tas var izraisīt redzes zaudēšanu.
- Neradiet īssavienojumu akumulatora kasetnē:
 - Nepieskarieties spaiļēm ar elektrību vadošiem materiāliem.
 - Neuzglabājiēt akumulatoru kasetni kopā ar citiem metāla priekšmetiem, tādiem kā naglas, monētas u. c.
 - Nepakļaujiēt akumulatora kasetni ūdens vai lietus iedarbībai.

Akumulatora īssavienojums var radīt spēcīgu strāvas plūsmu, pārkarsēšanu, uzliesmojumu un pat sabojāt akumulatoru.

- Neglabājiēt un neizmantojiēt darbarīku un akumulatora kasetni vietās, kur temperatūra var sasniegt vai pārsniegt 50 °C (122 °F).
- Nededziniet akumulatora kasetni, pat ja tā ir stipri bojāta vai pilnībā nolietota. Akumulatora kasetne ugunī var eksplodēt.
- Akumulatora kasetni nedrīkst naglot, griezt, saspīest, mest vai nomest, kā arī pa to nedrīkst sist ar cietu priekšmetu. Šādas darbības var izraisīt aizdegšanos, pārmērīgu karstumu vai sprādzienu.
- Neizmantojiēt bojātu akumulatoru.
- Uz izmantotajiem litija jonu akumulatoriem attiecas likumdošanas prasības par bīstamiem izstrādājumiem.

Komerציאלā transportēšanā, ko veic, piemēram, trešās puses, transporta uzņēmumi, jāievēro uz iesaiņojuma un marķējuma norādītās īpašās prasības.

Lai izstrādājumu sagatavotu nosūtīšanai, jāsažinās ar bīstamo materiālu speciālistu. Ievērojiet arī citus attiecināmos valsts normatīvus.

Vaļējus kontaktus nosedziet ar līmlenti vai citādi pārklājiēt, bet akumulatoru iesaiņojiēt tā, lai sainītas nevarētu izkustēties.

- Lai utilizētu akumulatora kasetni, izņemiēt to no darbarīka un likvidējiēt drošā vietā. Ievērojiēt vietējos noteikumus par akumulatora likvidēšanu.
- Izmantojiēt šos akumulatorus tikai ar izstrādājumiem, kurus norādījis Makita. Ievietojiēt šos akumulatorus nesaderīgos izstrādājumos, var rasties ugunsgrēks, pārmērīgs karstums, tie var uzsprāgt vai no tiem var izteceēt elektrolīts.
- Ja darbarīks netiks lietots ilgu laiku, no tā jāizņem akumulators.
- Lietošanas laikā vai pēc tās akumulatora kasetne var uzkrāt siltumu, kas var izraisīt apdegumus vai zemas temperatūras apdegumus. Ar karstu akumulatora kasetni apejiēties rūpiēgi.
- Nepieskarieties darbarīka izvadam uzreiz pēc lietošanas, jo tas var būt sakarsis un izraisīt apdegumus.
- Neļaujiēt akumulatora kasetnes izvada, atverēs un rievās uzkrāties skaidām, putekļiem vai augsnei. Tādējiēdi darbarīks vai akumulatora kasetne var sākt darboties nekvalitatīvi vai tikt sabojiāti.
- Neizmantojiēt akumulatora kasetni augstsprieguma līniju tuvumā, izņemot gadījumus, kad darbarīks ir piemērots lietošanai augstsprieguma līniju tuvumā. Citādi darbarīks vai akumulatora kasetne var sākt darboties nepareizi vai tikt sabojiāti.
- Glabājiēt akumulatoru bērniem nepieejamā vietā.

SAGLABĀJIET ŠOS NORĀDĪJUMUS.

⚠UZMANĪBU: Lietojiēt tikai oriēģinālos Makita akumulatorus. Ja lietojiēt neoriēģinālus Makita akumulatorus vai pārveidotus akumulatorus, tie var uzsprāgt un izraisīt aizdegšanos, traumas un materiālos zaudējumus. Tiks anulēta arī Makita darbarīka un lādētāja garantija.

Ieteikumi akumulatora kalpošanas laika pagarināšanai

- Uzlādējiēt akumulatora kasetni, pirms tā ir pilnībā izlādējusies. Vienmēr, kad ievērojiāt, ka darbarīka darba jauda zudusi, apturiēt darbarīku un uzlādējiēt akumulatora kasetni.
- Nekad neuzlādējiēt pilnībā uzlādētu akumulatora kasetni. Pārmērīga uzlāde saīsina akumulatora kalpošanas laiku.
- Uzlādējiēt akumulatora kasetni istabas temperatūrā 10 °C - 40 °C. Karstai akumulatora kasetnei pirms uzlādes ļaujiēt atdzist.
- Kad akumulatora kasetne netiek izmantota, izņemiēt to no darbarīka vai lādētāja.
- Uzlādējiēt litija jonu akumulatora kasetni, ja to ilgstoši nelietosit (vairāk nekā sešus mēnešus).

FUNKCIJU APRAKSTS

⚠ UZMANĪBU: Pirms darbarīka regulēšanas vai tā darbības pārbaudes vienmēr pārliecinieties, ka darbarīks ir izslēgts un akumulatora kasetne ir izņemta.

Darbarīka izmantošana par bezvadu dzīvzoģa apgriezējmašīnu

Šo darbarīku var izmantot kā bezvadu dzīvzoģa apgriezējmašīnu, uzstādot šķēru asmeņus dzīvzoģa griezējam.

Akumulatora kasetnes uzstādīšana un izņemšana

⚠ UZMANĪBU: Vienmēr pirms akumulatora kasetnes uzstādīšanas vai noņemšanas izslēdziet darbarīku.

⚠ UZMANĪBU: Uzstādot vai izņemot akumulatora kasetni, darbarīku un akumulatora kasetni turiet cieši. Ja darbarīku un akumulatora kasetni netur cieši, tie var izkrist no rokām un radīt bojājumus darbarīkam un akumulatora kasetnei, kā arī izraisīt ievainojumus.

- **Att.1:** 1. Sarkanās krāsas indikators 2. Poga 3. Akumulatora kasetne

Lai izņemtu akumulatora kasetni, izvelciet to no darbarīka, pārbindot kasetnes priekšpusē esošo pogu.

Lai uzstādītu akumulatora kasetni, salāgojiet akumulatora kasetnes mēlīti ar rievu ietvarā un iebīdīet to vietā. Ievietojiet to līdz galam, līdz tā ar klikšķi nofiksējas. Ja redzams attēlā parādītais sarkanās krāsas indikators, tas nozīmē, ka tas nav pilnīgi nofiksēts.

⚠ UZMANĪBU: Vienmēr ievietojiet akumulatora kasetni tā, lai sarkanais indikators nebūtu redzams. Pretējā gadījumā tā var nejauši izkrist no darbarīka un izraisīt jums vai apkārtējiem traumas.

⚠ UZMANĪBU: Neievietojiet akumulatora kasetni ar spēku. Ja kasetne neslīd ietvarā viegli, tā nav pareizi ielikta.

Atlikušās akumulatora jaudas indikators

Tikai akumulatora kasetnēm ar indikatoru

- **Att.2:** 1. Indikatora lampas 2. Pārbaudes poga

Nospiediet akumulatora kasetnes pārbaudes pogu, lai pārbaudītu akumulatora atlikušo uzlādes līmeni. Indikatoru iedegsies uz dažām sekundēm.

Indikatora lampas			Atlikušā jauda
Iledzies	Izslēgts	Mirgo	
			No 75% līdz 100%
			No 50% līdz 75%
			No 25% līdz 50%
			No 0% līdz 25%
			Uzlādējiet akumulatoru.
			Iespējama akumulatora kļūme.

PIEZĪME: Reālā jauda var nedaudz atšķirties no norādītās atkarībā no lietošanas apstākļiem un apkārtējās temperatūras.

PIEZĪME: Akumulatora aizsardzības sistēmas darbības laikā mirgo pirmais (kreisais malējais) indikators.

Darbarīka/akumulatora aizsardzības sistēma

Darbarīkam ir darbarīka/akumulatora aizsardzības sistēma. Šī sistēma automātiski izslēdz strāvas padevi motoram, lai pagarinātu darbarīka un akumulatora darbību. Lietošanas laikā darbarīks automātiski pārstāj darboties, ja darbarīku vai akumulatoru pakļaus kādam no šādiem apstākļiem.

Aizsardzība pret pārslodzi

Ja akumulatoru lieto tā, ka tas patērē pārmērīgi lielu strāvas daudzumu, darbarīks automātiski pārstāj darboties. Šādā gadījumā izslēdziet darbarīku un pārtrauciet darbību, kas izraisīja darbarīka pārslodzi. Tad ieslēdziet darbarīku, lai atsāktu darbu.

Aizsardzība pret pārkaršanu

Kad akumulators ir pārkaris, darbarīks automātiski pārstāj darboties. Šādā gadījumā ļaujiet darbarīkam un akumulatoram atdzist un tikai pēc tam atkal ieslēdziet darbarīku.

Aizsardzība pret akumulatora pārmērīgu izlādi

Ja akumulatora jaudas līmenis ir zems, darbarīks automātiski pārstāj darboties. Šajā gadījumā akumulatoru izņemiet no darbarīka un uzlādējiet.

Slēdža darbība

▲BRĪDINĀJUMS: Pirms akumulatora kasetnes uzstādīšanas darbarīkā vienmēr pārbaudiet, vai slēdža mēlīte darbojas pareizi un pēc atlaišanas atgriežas stāvoklī „OFF” (Izslēgts).

▲BRĪDINĀJUMS: Jūsu drošības nolūkos šis darbarīks ir aprīkots ar atbloķēšanas pogu, kas neļauj darbarīku nejauši iedarbināt. Nekad nelietojiet darbarīku, ja tas ieslēdzas, pavelkot slēdža mēlīti un nospiežot atbloķēšanas pogu. Dodieties uz vietējo Makita apkopes centru, lai veiktu remontu.

▲BRĪDINĀJUMS: Bloķēšanas funkciju nekādā gadījumā nedrīkst atspējot; nedrīkst ar līmlenti pielīmēt atbloķēšanas pogu nospiešā pozīcijā.

IEVĒRĪBAI: Nevelciet slēdža mēlīti ar spēku, nospiežot atbloķēšanas pogu. Slēdzis var salūzt.

► **Att.3:** 1. Slēdža mēlīte 2. Atbloķēšanas pogu

Lai novērstu nejaušu slēdža mēlītes piespiešanu, darbarīks ir aprīkots ar bloķēšanas pogu.

Lai ieslēgtu darbarīku, nospiediet atbloķēšanas pogu un pavelciet slēdža mēlīti. Lai apturētu darbarīku, atlaidiet slēdža mēlīti. Atbloķēšanas pogu var nospiegt gan no labās, gan kreisās puses.

Indikatora lampiņa

Kad atlikušās akumulatora jaudas līmenis ir zems vai akumulators ir izlādējies, indikatora lampiņa mirgo vai iedegas. Indikatora lampiņa iedegas arī situācijās, kad gadījums darbarīka pārslodze.

► **Att.4:** 1. Indikatora lampiņa

Lampiņas statuss un veicamā darbība

Indikatora lampiņa	Statuss	Veicamā darbība
Lampiņa mirgo sarkanā krāsā.	Atlikušās akumulatora jaudas līmenis ir zems.	Uzlādējiet akumulatoru.
Lampiņa izgaismojas sarkanā krāsā. *	Darbarīks ir apstājies jo akumulators ir izlādējies.	Uzlādējiet akumulatoru.
	Darbarīks ir apstājies pārslodzes dēļ.	Izslēdziet darbarīku.

* Precīzs laiks, kad indikatora lampiņa izgaismojas, ir atkarīgs no temperatūras darba vietā un akumulatora kasetnes stāvokļa.

Griešanas augstuma regulēšana (zāles šķērēm)

Papildpiezīdumi

▲UZMANĪBU: Mainot griešanas augstumu, noteikti uzlieciet asmens apvalku un uzmanieties, lai pirksti neiesprūstu starp darbarīku un zāles savācēju.

Griešanas augstumu var noregulēt trīs pozīcijās (15 mm, 20 mm un 25 mm), izmainot zāles savācēja fiksēto pozīciju. Griešanas augstums, neizmantojot zāles savācēju, ir aptuveni 10 mm.

1. Pārbidiet zāles savācēju uz darbarīka priekšpusi.

► **Att.5:** 1. Zāles savācējs

2. Izmainiet zāles savācēja fiksēto pozīciju, pārvietojot to bulītnis virzienā.

► **Att.6**

PIEZĪME: Griešanas augstuma vērtība ir aptuvena. Faktiskais griešanas augstums var mainīties atkarībā no zālāja vai zemes īpašībām.

PIEZĪME: Izmēģiniet zāles griešanu mazāk redzamā vietā, lai noregulētu nepieciešamo augstumu.

MONTĀŽA

▲UZMANĪBU: Pirms darbarīka regulēšanas vai apkopes vienmēr pārliecinieties, ka darbarīks ir izslēgts un akumulatora kasetne ir izņemta.

▲UZMANĪBU: Nomainot šķēru asmeņus, vienmēr uzvelciet cimdus un uzlieciet asmens apvalku, lai rokas un seja nevar nonākt tiešā saskarē ar asmeņiem.

IEVĒRĪBAI: Šķēru asmeņu nomainīšanas gadījumā noslaukiet smērvielu no pārvadmešanās un palaišanas kļoņa.

Asmens apvalka uzstādīšana vai noņemšana

▲UZMANĪBU: Uzmanieties, lai, uzstādot vai noņemot asmens apvalku, nepieskartos asmeņiem.

Lai noņemtu asmens apvalku, nedaudz to pavelciet un tad bīdīet to uz sāniem. Lai uzstādītu asmens apvalku, veiciet norādītās darbības pretējā secībā.

► **Att.7**

Zāles savācēja uzstādīšana vai noņemšana

Papildpiezīdumi

▲UZMANĪBU: Uzstādot vai noņemot zāles savācēju, noteikti uzlieciet asmens apvalku un uzmanieties, lai pirksti neiesprūstu starp darbarīku un zāles savācēju.

Zāles uztvērēja uzstādīšana

1. Iekariniet zāles savācēja šarnīru darbarīka rievā.

► **Att.8:** 1. Šarnīrs 2. Zāles savācējs

2. Savietojiet izvirkzījumus uz zāles savācēja ar rievām uz darbarīka, bīdot zāles savācēju uz darbarīka priekšpusi un pārvietojot to bulītnis virzienā.

► **Att.9**

IEVĒRĪBAI: Kad izvirkzījumi uz zāles savācēja ir savietoti ar gropēm uz darbarīka, nepievienojiet zāles savācēja šarnīru darbarīkam ar spēku.

Zāles uztvērēja noņemšana

1. Izņemiet izvirkzījumus uz zāles savācēja no rievām uz darbarīka, vienlaicīgi bīdot zāles savācēju uz darbarīka priekšpusi.

► **Att.10:** 1. Zāles savācējs

2. Atvienojiet zāles savācēja šarnīru no darbarīka.

Šķēru asmeņu uzstādīšana vai noņemšana zāles griešanai

IEVĒRĪBAI: Ja ir nolietotojās detaļas, kas nav šķēru asmeņi, piemēram, kloķis, vērsieties Makita pilnvarotos apkopes centros, lai iegūtu rezerves daļas vai veiktu remontu.

Šķēru asmeņu noņemšana

1. Ja ir uzstādīts zāles uztvērējs, noņemiet to. Novietojiet darbarīku otrādi.
▶ **Att.11**
2. Spiežot bloķēšanas sviru, pagrieziet aizsargu pretēji pulksteņrādītāju kustības virzienam, līdz simbols \square uz aizsarga savietojas ar simbolu \triangle uz bloķēšanas sviras.
▶ **Att.12:** 1. Aizsargs 2. Bloķēšanas svira
3. Noņemiet aizsargu, šķēru asmeņus un palaidies kloķi.
▶ **Att.13:** 1. Aizsargs 2. Šķēru asmeņi 3. Palaidies kloķis

Šķēru asmeņu uzstādīšana

1. Sagatavojiet palaidies kloķi, aizsargu un jaunus šķēru asmeņus.
▶ **Att.14:** 1. Palaidies kloķis 2. Aizsargs 3. Šķēru asmeņi
2. Noņemiet apvalku no iepriekšējiem šķēru asmeņiem un uzlieciet to uz jaunajiem asmeņiem.
▶ **Att.15:** 1. Asmens aizsargs
3. Noregulējiet trīs tapas tā, lai tās atrastos rindā uz savietošanas līnijas.
▶ **Att.16:** 1. Savietošanas līnija
4. Uzklājiet zonā ap palaidies kloķi nelielu smērvielas daudzumu. Pievienojiet palaidies kloķi uz tapām tā, lai mazie un lielle apli būtu vērsti uz augšu.
▶ **Att.17:** 1. Palaidies kloķis
5. Noregulējiet asmeņus un vadplāksni tā, lai atvere vadplāksnē un divi izvīzījumi uz asmeņiem savietotos.
▶ **Att.18:** 1. Vadplāksne
6. Apgrieziet šķēru asmeņus otrādi un uzstādiet tos tā, lai tapas uz darbarīka ievietotos vadplāksnes atverē. Pārliecinieties, ka šķēru asmeņi stingri ir nostiprināti vietā.
▶ **Att.19:** 1. Vadplāksne

PIEZĪME: Šķēru asmeņus būs vieglāk uzstādīt, ja nedaudz pavirzīsiet uz priekšu asmeņu aizsargu.

7. Aizsargu novietojiet tā, lai simbols \square uz aizsarga būtu savietots ar simbolu \triangle uz bloķēšanas sviras.
▶ **Att.20:** 1. Aizsargs 2. Bloķēšanas svira
8. Spiežot aizsargu, pagrieziet to pulksteņrādītāju kustības virzienā, līdz simbols \square uz aizsarga savietojas ar simbolu \triangle uz bloķēšanas sviras.
▶ **Att.21:** 1. Aizsargs 2. Bloķēšanas svira
9. Pārliecinieties, ka bloķēšanas svira ievietojas rievā, kas atrodas uz aizsarga.
▶ **Att.22:** 1. Bloķēšanas svira

UZMANĪBU: Nekad neizmantojiet darbarīku, ja nav uzstādīts aizsargs.

10. Noņemiet asmeņu apvalku un ieslēdziet darbarīku, lai pārbaudītu, vai tas darbojas pareizi.

IEVĒRĪBAI: Ja šķēru asmeņi nedarbojas pareizi, asmeņi nepareizi saslēdzas ar palaidies kloķi. Noņemiet un vēlreiz uzstādiet asmeņus.

Šķēru asmeņu uzstādīšana vai noņemšana dzīvzoga apgriezējmašīnai

UZMANĪBU: Pirms šķēru asmeņu noņemšanas vai uzstādīšanas uzstādiet asmeņu apvalku.

IEVĒRĪBAI: Ja ir nolietotojās detaļas, kas nav šķēru asmeņi, piemēram, kloķis, vērsieties Makita pilnvarotos apkopes centros, lai iegūtu rezerves daļas vai veiktu remontu.

Šķēru asmeņu noņemšana

1. Novietojiet darbarīku otrādi.
▶ **Att.23**
2. Spiežot bloķēšanas sviru, pagrieziet aizsargu pretēji pulksteņrādītāju kustības virzienam, līdz simbols \square uz aizsarga savietojas ar simbolu \triangle uz bloķēšanas sviras.
▶ **Att.24:** 1. Bloķēšanas svira 2. Aizsargs
3. Noņemiet aizsargu.
▶ **Att.25:** 1. Aizsargs
4. Ar skrūvgriezi atskrūvējiet valjīgāk abas skrūves un noņemiet šķēru asmeņus.
▶ **Att.26:** 1. Skrūves

PIEZĪME: Šķēru asmeņus var noņemt, neizņemot skrūves.

5. No šķēru asmeņiem izņemiet palaidies kloķi.
▶ **Att.27:** 1. Palaidies kloķis

PIEZĪME: Palaidies kloķis var palikt darbarīkā.

PIEZĪME: Noņemtajiem šķēru asmeņiem uzlieciet asmeņu apvalku un glabāšanas ietvaru un novietojiet asmeņus glabāšanai.

Šķēru asmeņu uzstādīšana

1. Sagatavojiet palaidies kloķi, aizsargu un jaunus šķēru asmeņus.
▶ **Att.28:** 1. Palaidies kloķis 2. Aizsargs 3. Šķēru asmeņi
2. Uzlieciet asmeņu apvalku šķēru asmeņiem.
▶ **Att.29:** 1. Asmens aizsargs
3. Noregulējiet trīs tapas tā, lai tās atrastos rindā uz savietošanas līnijas.
▶ **Att.30:** 1. Savietošanas līnija
4. Uzklājiet zonā ap palaidies kloķi nelielu smērvielas daudzumu. Pievienojiet palaidies kloķi uz tapām tā, lai mazie un lielle apli būtu vērsti uz leju.
▶ **Att.31:** 1. Palaidies kloķis

5. Pārbīdīet šķēru asmeņus, lai atvere uz vadplāksnes atrastos asmeņu gredzenu centrā.

► **Att.32:** 1. Vadplāksne



6. Apgrīziet šķēru asmeņus otrādi un uzstādiēt tos tā, lai tapa uz darbarīka ievietotos šķēru asmeņu atverē. Ievietojiet vadplāksnes āķi darbarīka rievā. Pārliecinieties, ka šķēru asmeņi stingri ir nostiprināti vietā.

► **Att.33:** 1. Āķis 2. Vadplāksne



PIEZĪME: Šķēru asmeņus būs vieglāk uzstādīt, ja nedaudz pavirzīsiet uz priekšu asmeņu aizsargu.

7. Ar skrūvgriezi cieši pievelciet abas skrūves.

► **Att.34:** 1. Skrūves

8. Aizsargu novietojiet tā, lai simbols  uz aizsarga būtu savietots ar simbolu  uz bloķēšanas sviras.

► **Att.35:** 1. Bloķēšanas svira 2. Aizsargs

9. Spiežot aizsargu, pagrieziet to pulksteņrādītāju kustības virzienā, līdz simbols  uz aizsarga savietojas ar simbolu  uz bloķēšanas sviras.

► **Att.36:** 1. Aizsargs

10. Pārliecinieties, ka bloķēšanas svira ievietojas rievā, kas atrodas uz aizsarga.

► **Att.37:** 1. Bloķēšanas svira

⚠UZMANĪBU: Nekad neizmantojiet darbarīku, ja nav uzstādīts aizsargs.

11. Noņemiet asmeņu apvalku un ieslēdziet darbarīku, lai pārbaudītu, vai tas darbojas pareizi.

IEVĒRĪBAI: Ja šķēru asmeņi nedarbojas pareizi, asmeņi nepareizi saslēdzas ar palaidēs kloķi. Noņemiet un vēlreiz uzstādiēt asmeņus.

Atgriezumū savācēja uzstādīšana vai noņemšana

Papildpiederumi

⚠UZMANĪBU: Uzstādot vai noņemot atgriezumū savācēju, vienmēr uzvelciet cimdus un uzlieciet asmens apvalku, lai rokas un seja nevar nonākt tiešā saskarē ar asmeni.

Atgriezumū savācējā tiek savāktas apgrīzētās lapas, un pēc tam ir daudz vieglāk sakopt darba vietu. To var uzstādīt jebkurā darbarīka pusē.

Lai uzstādītu atgriezumū savācēju, piespiediet to pie šķēru asmeņiem, lai āķi ievietotos šķēru asmeņu atverēs.

► **Att.38:** 1. Āķis 2. Atveres

Lai noņemtu atgriezumū savācēju, nospiediet sviras abās pusēs, lai atbrīvotu āķus.

► **Att.39:** 1. Sviras

IEVĒRĪBAI: Nemēģiniet noņemt atgriezumū savācēju ar pārmērīgu spēku, ja tā āķi ir nofiksēti asmeņu atverēs.

EKSPLUATĀCIJA

⚠BRĪDINĀJUMS: Pirms griešanas sākšanas no darba zonas novāciet žagarus un akmeņus. Turklāt jau iepriekš griešanas zonā savāciet nezāles.

► **Att.40**

⚠BRĪDINĀJUMS: Netuviniet rokas asmeņiem.

⚠UZMANĪBU: Pēc iespējas nelietojiet darbarīku ļoti karstā laikā. Lietojot darbarīku, ņemiet vērā savu fizisko stāvokli.

Griešana (zāles šķērēm)

Pēc griešanas augstuma noregulēšanas ieslēdziet darbarīku un turiet to tā, lai darbarīka pamatne balstītos uz zemes. Uzmaniģi virziet darbarīku uz priekšu.

► **Att.41**

Griežot apkārt apmalēm, žogiem vai kokiem, virziet darbarīku gar tiem. Uzmanieties, lai asmeņi nesaskartos ar šiem objektiem.

► **Att.42**

Griežot nelielu koku atvases vai zarus, grieziet tos pakāpeniski.

► **Att.43**

Pirms šī darbarīka izmantošanas ar zaru šķērēm vispirms nogrieziet lielos zarus vēlamajā augstumā.

IEVĒRĪBAI: Neizmantojiet šo darbarīku tādā veidā, kad motors apstājas vai darbojas ļoti lēni.

IEVĒRĪBAI: Nemēģiniet griezt resnus zarus.

IEVĒRĪBAI: Raugieties, lai šķēru asmeņi ekspluatācijas laikā nesaskartos ar zemi. Asmeņi kļūs trūli un darbs nebūs paveikts kvalitatīvi.

IEVĒRĪBAI: Negrieziet mitru zāli vai mitru nelielu koku lapotni.

Garas zāles griešana

Nemēģiniet uzreiz nogriezt garu zāli. Tā vietā grieziet zāli pakāpeniski. Starp griešanas reizēm nogaidiet vienu vai divas dienas, līdz zāle visur ir vienādi gara.

► **Att.44**

PIEZĪME: Uzreiz nogriežot garu zāli ļoti īsu, zāle var iznīkt.

Griešana (dzīvžoga apgriezējmaģinai)

⚠UZMANĪBU: Griešanas laikā uzmanieties, lai nesaskartos ar metāla sētu vai citiem cietiem priekšmetiem. Asmeņi var salūzt un radīt nopietnus savainojumus.

⚠UZMANĪBU: Uzmanieties, lai šķēru asmeņi nesaskartos ar zemi. Darbarģks var atsisties un radīt nopietnus savainojumus.

⚠UZMANĪBU: Stieģšanās pāri kaut kam ar dzģvģzogu apgriezģjmaģinģu, it ģpaģģi no pieslienamaģģm kģpnģm, ir ļoti bģstama. Neveiciet darbu, stģvot uz nestabiliem un neģzturģģģģm objektiem.

IEVĒRĪBAI: Ar šo darbarīku nemēģiniet nogriezt zarus, kuru diametrs pārsniedz 10 mm. Pirms darbarīka izmantošanas vispirms ar zaru šķērēm nogrieziet zarus 10 cm zemāk nekā griešanas augstums.

► **Att.45:** (1) Griešanas augstums (2) 10 cm

IEVĒRĪBAI: Negrieziet nokaltušus kokus vai līdzīgus cietus priekšmetus. Tādējādi varat sabojāt darbarīku.

IEVĒRĪBAI: Ar šķēru asmeņiem negrieziet zāli vai nezāles. Asmeņi var sapīties zālē vai nezālēs.

Ar vienu roku turiet darbarīku, pavelciet slēdža mēlīti, vienlaicīgi spiežot bloķēšanas pogu, un tad virziet to uz priekšu.

► **Att.46**

Pamata darbībai sasveriet asmeņus griešanas virzienā un lēnām un mierīgi pārvietojiet tos ar ātrumu no 3 līdz 4 sekundēm metrā.

► **Att.47**

Lai varētu dzīvzogu nogriezt vienādā augstumā, iesakām vajadzīgajā augstumā nostiept auklu un griezt gar to.

► **Att.48**

Ja pie asmeņiem ir nostiprināts atgriezumū savācējs, tas savāc apgriezās lapas, un pēc tam ir daudz vieglāk sakopt darba vietu.

Lai līdzeni apgrieztu dzīvzoga sānu daļu, grieziet no apakšas uz augšu.

► **Att.49**

Ja griežat, lai izveidotu apaļu formu (apgriezot bukšus, rododendrus u. c.), grieziet no saknēm līdz galotnei, veidojot pabeigtu formu.

► **Att.50**

APKOPE

⚠UZMANĪBU: Pirms darbarīka pārbaudes vai apkopes vienmēr pārliecinieties, ka darbarīks ir izslēgts un akumulatora kasetne ir izņemta.

Lai saglabātu izstrādājuma DROŠU un UZTICAMU darbību, remontdarbus, apkopi un regulēšanu uzticiet veikt tikai Makita pilnvarotam vai rūpnīcas apkopes centram, un vienmēr izmantojiet tikai Makita rezerves daļas.

Darbarīka tīrīšana

Tīriet darbarīku, noslaukot putekļus ar sausu drānu vai drānu, kas samērcēta ziepjūdenī un izgriezta.

IEVĒRĪBAI: Nekad neizmantojiet gāzoliņu, benzīnu, atšķaidītāju, spirtu vai līdzīgus šķidrumus. Tas var radīt izbalēšanu, deformāciju vai plaisas.

Asmens apkope

Pirms ekspluatācijas vai reizi stundā ekspluatācijas laikā uzklājiet uz asmeņiem eļļu ar zemu viskozitāti (mašīneļļu vai izsmidzināmu smēreļļu).

► **Att.51**

► **Att.52**

Pēc darba no abām asmeņu pusēm notīriet putekļus, izmantojot stieplu suku, noslaukiet ar lupatiņu un pēc tam uzklājiet uz asmeņiem eļļu ar zemu viskozitāti (mašīneļļu vai izsmidzināmu smēreļļu).

► **Att.53**

► **Att.54**

IEVĒRĪBAI: Ar ūdeni asmeņus nemazgājiet. Šīs norādes neievērošana var izraisīt rūsu vai darbarīka bojājumus.

IEVĒRĪBAI: Netīrumi un korozija izraisa pastiprinātu asmeņu berzi un saīsina darbības laiku ar vienu akumulatora uzlādi.

Glabāšana

Āķa atvere darbarīka apakšdaļā ir paredzēta, lai darbarīku pakarinātu pie sienas uz naglas vai skrūves. Uzlieciet asmeņu apvalku uz šķēru asmeņiem tā, lai asmeņi nebūtu redzami. Darbarīku glabājiet bērniem nepieejamā vietā. Darbarīku glabājiet tādā vietā, kas pasargāta no mitruma un lietus.

► **Att.55:** 1. Atvere

► **Att.56:** 1. Atvere

PAPILDU PIEDERUMI

⚠UZMANĪBU: Šādi piederumi un papildierces tiek ieteiktas lietošanai ar šajā rokasgrāmātā aprakstīto Makita darbarīku. Izmantojot citus piederumus vai papildierces, var tikt radīta trauma gūšanas bīstamība. Piederumu vai papildierci izmantojiet tikai paredzētajam mērķim.

Ja jums vajadzīga palīdzība vai precīzāka informācija par šiem piederumiem, vērsieties savā tuvākajā Makita apkopes centrā.

- Šķēru asmens mezgls (izmantošanas veids: zāles šķēres)
- Šķēru asmens apvalks (izmantošanas veids: zāles šķēres)
- Zāles uztvērējs (izmantošanas veids: zāles šķēres)
- Roktura pagarinājuma pierce (izmantošanas veids: zāles šķēres)
- Šķēru asmens mezgls (izmantošanas veids: dzīvzoga apgriezējmašīna)
- Šķēru asmens apvalks (izmantošanas veids: dzīvzoga apgriezējmašīna)
- Atgriezumū savācējs (izmantošanas veids: dzīvzoga apgriezējmašīna)
- Glabāšanas ietvars
- Makita oriģinālais akumulators un lādētājs

PIEZĪME: Daži sarakstā norādītie izstrādājumi var būt iekļauti instrumenta komplektācijā kā standarta piederumi. Tie dažādās valstīs var būt atšķirīgi.

SPECIFIKACIJOS

Modelis:		DUM111
Pjovimo plotis		110 mm
Smūgių per minutę		2 500 min. ⁻¹
Pakaitinių žirklių peilių dalies numeris	Žolės peiliai	191N23-4, 195267-4
	Gyvatvorės žirkklės	191N24-2, 198408-1
Matmenys (I x P x A)		330 mm x 120 mm x 130 mm
Nominali įtampa		Nuol. sr. 18 V
Grynasis svoris		1,4 – 1,8 kg

- Atlikame tęsinius tyrimus ir nuolatos tobuliname savo gaminius, todėl čia pateikiamos specifikacijos gali būti keičiamos be įspėjimo.
- Įvairiose šalyse specifikacijos ir akumulatoriaus kasetė gali skirtis.
- Svoris gali priklausyti nuo priedo (-ų), įskaitant akumulatoriaus kasetę. Lengviausias ir sunkiausias deriniai pagal EPTA 2014 m. sausio mėn. procedūrą yra parodyti lentelėje.

Tinkama akumulatoriaus kasetė ir (arba) įkroviklis

Akumulatoriaus kasetė	BL1815N / BL1820B / BL1830B / BL1840B / BL1850B / BL1860B
Įkroviklis	DC18RC / DC18RD / DC18RE / DC18SD / DC18SE / DC18SF / DC18SH

- Atsižvelgiant į gyvenamosios vietos regioną, kai kurios pirmiau nurodytos akumulatoriaus kasetės ir įkrovikliai gali būti neprieinami.

⚠️ JSPĖJIMAS: Naudokite tik akumulatoriaus kasetes ir įkroviklius, kurie nurodyti anksčiau. Naudojant bet kurias kitas akumulatoriaus kasetes ir įkroviklius, gali kilti sužeidimo ir gaisro pavojus.

Rekomenduojamas laidu prijungiamas maitinimo šaltinis

Nešiojamasis maitinimo šaltinis	PDC01
---------------------------------	-------

- Atsižvelgiant į gyvenamosios vietos regioną, pirmiau nurodytas (-i) laidu prijungiamas (-i) maitinimo šaltinis (-iai) gali būti neprieinamas (-i).
- Prieš naudodami laidu prijungiamą maitinimo šaltinį, perskaitykite instrukciją ir ant jų pateiktus perspėjimus.

Simboliai

Toliau yra nurodyti simboliai, kurie gali būti naudojami įrangai. Prieš naudodami įsitikinkite, kad suprantate jų reikšmę.

	Būkite itin atsargūs ir dėmesingi.
	Perskaitykite instrukcijų vadovą.
	Pavojus; saugokitės skriejančių objektų.
	Neleiskite pašaliniam asmeniui artintis prie įrenginio.
	Išjungus variklį, pjovimo dalys dar kurį laiką sukasi.
	Saugokite nuo drėgmės.



Užsidėkite apsauginius akinius.



PAVOJUS. Laikykite rankas atokiau nuo peilio.



Taikoma tik ES šalims
Kadangi įrangoje yra pavojingų komponentų, panaudota elektrinė ir elektroninė įranga, akumulatoriai ir baterijos gali turėti neigiamo poveikio aplinkai ir žmonių sveikatai.
Nešalinkite elektros ir elektroninių prietaisų ar baterijų kartu su buitinėmis atliekomis! Pagal Europos direktyvą dėl elektros ir elektroninės įrangos atliekų bei akumuliatorių ir baterijų ir panaudotų akumuliatorių ir baterijų bei jos pritaikymą nacionaliniams įstatymams, panaudota elektros ir elektroninė įranga, baterijos ir akumulatoriai turi būti surenkami atskirai ir pristatomi į atskirą buitinių atliekų surinkimo punktą, kuris veikia pagal aplinkos apsaugos taisykles. Tai rodo perbrauktas konteinerio ant ratukų simbolis, pateiktas ant įrangos.



Garantuojamas garso galios lygis pagal ES lauko triukšmo direktyvą.



Garso galios lygis pagal Australijos NSW triukšmo kontrolės reglamentą

Numatytoji naudojimo paskirtis

Šis įrankis skirtas vejos kraštams ar ūgliams pjauti.

Triukšmas

Įprastas triukšmo A lygis, nustatytas pagal EN50636-2-94:

DUM111 su uždėtais žoliapjovės peiliais

Garso slėgio lygis (L_{pA}): 70 dB (A)

Paklaida (K): 1,5 dB (A)

Dirbant triukšmo lygis gali viršyti 80 dB (A).

Įprastas triukšmo A lygis, nustatytas pagal EN62841-4-2:

DUM111 su uždėtais gyvatvorių žirklių peiliais

Garso slėgio lygis (L_{pA}): 70 dB (A)

Paklaida (K): 3 dB (A)

Dirbant triukšmo lygis gali viršyti 80 dB (A).

PASTABA: Paskelbta (-os) triukšmo reikšmė (-ės) nustatyta (-os) pagal standartinį testavimo metodą ir jį galima naudoti vienam įrankiui palyginti su kitu.

PASTABA: Paskelbta (-os) triukšmo reikšmė (-ės) taip pat gali būti naudojama (-os) norint preliminariai įvertinti triukšmo poveikį.

ĮSPĖJIMAS: Dėvėkite ausų apsaugą.

ĮSPĖJIMAS: Faktiškai naudojant elektrinį įrankį, keliamos triukšmo dydis gali skirtis nuo paskelbtos (-ų) reikšmės (-ių), priklausomai nuo būdų, kuriais yra naudojamas šis įrankis, ir ypač nuo to, kokio tipo ruošinys apdirbamas.

ĮSPĖJIMAS: Siekdami apsaugoti operatorių, būtina įvertinkite saugos priemones, remdamiesi vibracijos poveikio įvertinimu esant faktinėms naudojimo sąlygoms (atsižvelgdami į visas darbo ciklo dalis, pavyzdžiui, ne tik kiek laiko įrankis veikia, bet ir kiek kartų jis yra išjungiamas bei kai jis veikia be apkrovų).

Vibracija

Vibracijos bendroji vertė (triaisios vektorius suma) nustatyta pagal EN50636-2-94 standartą:

DUM111 su uždėtais žoliapjovės peiliais

Vibracijos emisija (a_h): 2,5 m/s² arba mažiau

Paklaida (K): 1,5 m/s²

Vibracijos bendroji vertė (triaisios vektorius suma) nustatyta pagal EN62841-4-2 standartą:

DUM111 su uždėtais gyvatvorių žirklių peiliais

Vibracijos emisija (a_h): 2,5 m/s² arba mažiau

Paklaida (K): 1,5 m/s²

PASTABA: Paskelbta (-os) vibracijos bendroji (-osios) reikšmė (-ės) nustatyta (-os) pagal standartinį testavimo metodą ir jį galima naudoti vienam įrankiui palyginti su kitu.

PASTABA: Paskelbta (-os) vibracijos bendroji (-osios) reikšmė (-ės) taip pat gali būti naudojama (-os) norint preliminariai įvertinti vibracijos poveikį.

ĮSPĖJIMAS: Faktiškai naudojant elektrinį įrankį, keliamos vibracijos dydis gali skirtis nuo paskelbtos (-ų) reikšmės (-ių), priklausomai nuo būdų, kuriais yra naudojamas šis įrankis, ir ypač nuo to, kokio tipo ruošinys apdirbamas.

ĮSPĖJIMAS: Siekdami apsaugoti operatorių, būtina įvertinkite saugos priemones, remdamiesi vibracijos poveikio įvertinimu esant faktinėms naudojimo sąlygoms (atsižvelgdami į visas darbo ciklo dalis, pavyzdžiui, ne tik kiek laiko įrankis veikia, bet ir kiek kartų jis yra išjungiamas bei kai jis veikia be apkrovų).

EB atitikties deklaracija

Tik Europos šalims

EB atitikties deklaracija yra pridedama kaip šio instrukcijų vadovo A priedas.

SAUGOS ĮSPĖJIMAI

Bendrieji įspėjimai dirbant elektriniais įrankiais

ĮSPĖJIMAS: Perskaitykite visus saugos įspėjimus, instrukcijas, iliustracijas ir techninius duomenis, pateiktus kartu su šiuo elektriniu įrankiu. Nesilaikant visų toliau išvardytų instrukcijų galima patirti elektros smūgi, gali kilti gaisras ir (arba) galima sunkiai susižaloti.

Išsaugokite visus įspėjimus ir instrukcijas, kad galėtumėte jas peržiūrėti ateityje.

Terminas „elektrinis įrankis“ pateiktuose įspėjimuose reiškia į maitinimo tinklą jungiamą (laidinį) elektrinį įrankį arba akumuliatoriaus maitinamą (belaidį) elektrinį įrankį.

Saugos įspėjimai dėl akumuliatorinės žoliapjovės naudojimo

Bendrieji nurodymai

1. Norėdamas užtikrinti tinkamą įrenginio darbą, vartotojas turi perskaityti šią naudojimo instrukciją, kad sužinotų, kaip naudoti šį prietaisą. Nepakankamai informuoti vartotojai padidina sau ir kitiems dėl netinkamo naudojimo kylantį pavojų.
2. Niekada neleiskite, kad šį įrankį naudotų asmenys (įskaitant vaikus) su fizine, jutimine ar psichine negalia arba stokojantys patirties ir žinių ar kurie nėra perskaitę šios instrukcijos, kaip naudoti šį įrankį; pagal vietinius įstatymus operatoriaus amžius gali būti ribojamas.

- Naudodami šį prietaisą, būkite labai atsargūs ir atidūs.
- Naudokite šį prietaisą tik būdami geros fizinės būklės. Visus darbus atlikite ramiai ir atidžiai. Vadovaukitės sveika nuovoka ir prisiminkite, kad operatorius arba vartotojas yra atsakingas už nelaimingus atsitikimus ar žalą, padarytą kitiems žmonėms arba jų turui.
- Niekuomet nenaudokite šio prietaiso, jei netoliese yra žmonių, ypač vaikų ar naminių gyvūnų.
- Įvykus kokiam nors šio prietaiso gedimui ar esant neįprasto veikimo požymiui, būtina tuoj pat išjungti variklį.
- Išjunkite variklį ir ištraukite akumulatoriaus kasetę poilsio pertraukų metu ir tuomet, kai paliekate šį prietaisą be priežiūros; padėkite jį saugioje vietoje, kad jis nekeltų pavojaus kitiems arba pats nebūtų sugadintas.
- Venkite naudoti mašiną esant blogam orui, ypač jei gali žaibuoti.
- Iš darbo vietos pašalinkite smėlį, akmenis, vinis ir pan. Pašaliniai daiktai ir dalelės gali sugadinti pjovimo įrankį ir sukelti pavojingą atotrūkį.
- Jei pjovimo įrankis atsitrenktų į akmenį ar kokį nors kitą kietą objektą, tuoj pat išjunkite variklį ir apžiūrėkite pjovimo įrankį.
- Reguliariai tikrinkite pjovimo įrankį, ar jis neapgadintas (vieleos įtrūkimus tikrinkite atlikdami tapšnojimo-garso bandymą).
- Prieš pradėdami pjauti, pjovimo įrankis turi pasiekti maksimalų darbo greitį.
- Pjovimo įrankis turi būti su uždėtu atitinkamu apsauginiu gaubtu. Niekada nenaudokite šio prietaiso, jei apgadinti arba nuimti jo apsauginiai gaubtai!
- Darbo metu privaloma naudoti visus su šiuo prietaisu pateiktus apsauginius įtaisus ir gaubtus.
- Visuomet ištraukite iš įrankio akumulatoriaus kasetę:
 - kai paliekate prietaisą be priežiūros;
 - prieš pašalindami užsikimšimą;
 - prieš atlikdami šio prietaiso patikrą, valymą ir prieš pradėdami darbą;
 - atsitrenkę į kokį nors daiktą;
 - jeigu prietaisas pradeda neįprastai vibruoti.

Asmeninės apsaugos priemonės

- Naudodami šį prietaisą, visuomet dėvėkite akių apsaugas ir avėkite tvirtus batus.
- Naudodami šį prietaisą, visuomet avėkite tinkamą avalynę ir mūvėkite ilgas kelnes.

Įrenginio paleidimas

- Įsitikinkite, kad šalia darbo vietos nebūtų vaikų ar kitų žmonių, taip pat atkreipkite dėmesį, ar netoliese nėra kokių nors gyvūnų. Kitaip nenaudokite prietaiso.
- Prieš pradėdami naudoti šį prietaisą, patikrinkite, ar jį saugu naudoti. Patikrinkite pjovimo įrankio saugą ir įsitikinkite, ar lengvai ir tinkamai veikia apsauginis įtaisas ir gaidukas / svirtis. Patikrinkite, ar rankenos yra švarios ir sausos; taip pat patikrinkite, ar tinkamai veikia įjungimo / išjungimo jungiklis.
- Prieš pradėdami naudoti šį prietaisą, patikrinkite, ar nėra sugedusių dalių. Atidžiai apžiūrėkite sugadintą apsauginį gaubtą ar kitą dalį ir nustatykite, ar ji veiks tinkamai ir atliks savo funkciją. Patikrinkite judančių dalių sulyginimą, suveržimą, ar nėra sulūžusių dalių, ar dalys tinkamai sumontuotos ir kitas sąlygas, kurios gali paveikti prietaiso veikimą. Sugadintą apsauginį gaubtą ar kitą dalį reikia tinkamai pataisyti arba pakeisti mūsų įgaliotajame techninės priežiūros centre, nebent šioje instrukcijoje būtų nurodyta kitaip.
- Paleiskite variklį tik tuomet, kai rankos ir kojos bus atokiai nuo pjovimo įrankio.
- Prieš paleisdami pjovimo įrankį, įsitikinkite, kad jis neličia jokių objektų.

Naudojimo būdas

- Naudokite šį prietaisą tik esant geram apšvietimui ir matomumui. Žiemos metu saugokitės slidžių ar šlapių vietų, ledo ir sniego (pavojus paslysti). Visuomet tvirtai stovėkite nuožulniose vietose ir eikite, niekuomet nebėkite.
- Būkite atsargūs, kad nesusižeistumėte pjovimo įrankiu kojų ir rankų.
- Niekada nenaudokite šio prietaiso stovėdami ant kopėčių.
- Niekada nelipkite į medžius, kad nupjautumėte šakas šiuo prietaisu.
- Niekada nedirbkite stovėdami ant nestabilių paviršių.

- Pjovimo įrankiai
Naudokite tik darbai tinkamą pjovimo įrankį.

Techninės priežiūros instrukcija

- Prieš pradėdami darbą, būtina patikrinti šio prietaiso būklę, ypač apsauginius pjovimo įrankio įtaisus.
- Prieš atlikdami techninės priežiūros darbus, keisdami pjovimo įrankius, taip pat valydami prietaisą arba pjovimo įrankį, išjunkite variklį ir ištraukite akumulatoriaus kasetę.
- Nenaudojamą prietaisą laikykite sausoje, rakinamoje patalpoje arba aukštai padėtą, kad jo nepasiektų vaikai. Prieš padėdami, nuvalykite ir atlikite techninės priežiūros darbus.

SAUGOKITE ŠIAS INSTRUKCIJAS.

⚠️ ĮSPĖJIMAS: NELEISKITE, kad patogumas ir gaminio pažinimas (gyjamas pakartotinai naudojant) susilpnintų griežtą saugos taisyklių, taikytinų šiam gaminiui, laikymąsi. Dėl NETINKAMO NAUDOJIMO arba saugos taisyklių, kurios pateiktos šioje instrukcijoje, nesilaikymo galima rimtai susižeisti.

Saugos įspėjimai dėl akumuliatoriinių gyvatvorių žirklių naudojimo

- Visas kūno dalis laikykite toliau nuo peilio. Nebandykite šalinti nuopojų ar laikyti pjaujamą dalį peiliams judant.** Išjungus jungiklį, peiliai dar kurį laiką sukasi. Dirbant gyvatvorių žirklemis užtenka vienos neatidumo akimirkos ir galima sunkiai susižeisti.
- Gyvatvorės žirkles neškite už rankenos, sustabdę peilius ir atsargiai, kad nepanaudotumėte jokio maitinimo jungiklio.** Tinkamai nešant gyvatvorės žirkles sumažės netyčinio paleidimo ir asmeninio sužalojimo peiliais rizika.
- Transportuodami ar sandėliuodami ant gyvatvorės žirklių visada uždėkite peilių gaubtą.** Tinkamai tvarkant gyvatvorės žirkles sumažės asmeninio sužalojimo peiliais rizika.
- Kai šalinatė užstrigusią medžiagą arba atliekatė įrenginio priežiūros darbus, įsitinkinkite, kad visi maitinimo jungikliai yra išjungti ir akumulatorius yra išimtas arba atjungtas.** Netikėtai įjungus gyvatvorės žirkles valant užstrigusią medžiagą arba atliekant priežiūros darbus galima sunkiai susižaloti.
- Laikykite gyvatvorės žirkles tik už izoliuotų, laikyti skirtų vietų, nes peiliai gali užkliudyti nematomus laidus.** Peiliais užkliudžius laidą, kuriou teka srovė, įtampa gali būti perduota neizoliuotoms metalinėms gyvatvorės žirklių dalims ir operatorius gali gauti elektros smūgį.
- Visus elektros laidus ir kabelius laikykite toliau nuo pjovimo srities.** Elektros laidai ar kabeliai gali pasislėpti gyvatvorėse ar krūmuose ir juos galima netyčia nupjauti peiliais.
- Nenaudokite gyvatvorės žirklių esant blogam orui ir ypač tada, kai gali žaibuoti.** Taip sumažinsite žaibo trenkimo riziką.

Papildomi nurodymai dėl saugumo

Pasiruošimas

- Prieš naudodami įrankį patikrinkite gyvatvorės ir krūmus, ar nėra pašalinių medžiagų, pvz., vielinių tvorų ar užslėptų vielų.**
- Įrankio neleidžiama naudoti vaikams ir asmenims, jaunesniems nei 18 metų.** Jauniems asmenims (bet vyresniems nei 16) gali būti taikoma išimtis, jei jie yra mokomi dirbti žirklemis, prižiūrint specialistui.
- Pradedantieji vartotojai turi paprašyti patyrusių įrankio vartotojų parodyti, kaip naudojamas įrankis.**
- Naudokite šį įrankį tik būdami geros fizinės būklės.** Jei esate pavargę, jūsų dėmesys bus sumažėjęs. Ypač atsargiai dirbkite darbo dienos pabaigoje. Visus darbus atlikite ramiai ir atidžiai. Vartotojas atsakingas už visą žalą, padarytą trečiajai šaliai.
- Niekada nenaudokite įrankio apsvaigę nuo alkoholio, narkotinių medžiagų ar vaistų.**
- Darbinės storos odos pirštinės yra viena pagrindinių įrankio priemonių dalių ir jas reikia mėvėti viso darbo įrankiu metu.** Taip pat avėkite tvirtus batus neslystančiais padais.

- Prieš pradėdami darbą, įsitinkinkite, kad įrankis yra geros, saugiam darbui tinkamos būklės.** Įsitinkinkite, kad apsaugos yra tinkamai pritvirtintos. Įrankį galima naudoti tik visiškai sukomplektuotą.

Naudojimas

- Darbo metu įrankį laikykite tvirtai.**
- Įrankį operatorius turi naudoti nuo žemės.** Nenaudokite įrankio stovėdami ant kopėčių arba kitos nestabilios atramos.
- Kai naudojate įrankį, vienu metu nesegėkite kelių saugos diržų ir (arba) perptėtis diržų.**
- PAVOJUS - Rankas laikykite nuo toliau nuo asmenų.** Prilietę asmenis galite sunkiai susižaloti.
- Nenaudokite įrankio lyjant ar šlapiomis arba labai drėgnomis sąlygomis.** Elektros variklis nėra apsaugotas nuo vandens.
- Prieš pradėdami darbą, įsitinkinkite, kad tvirtai stovite.**
- Be reikalo nenaudokite įrankio be apkravos.**
- Žirklių peiliams užkabinus tvorą ar kitą kietą daiktą, nedelsdami išjunkite įrankį ir ištraukite akumulatoriaus kasėtę.** Patikrinkite, ar peiliai nepažeisti, ir nedelsdami pakeiskite, jei pastebite pažeidimų.
- Prieš tikrindami žirklių peilius, taisydami gedimus ar šalindami žirklių peiliuose įstrigusią medžiagą, visada išjunkite įrankį ir ištraukite akumulatoriaus kasėtę.**
- Niekada nenukreipkite žirklių peilių į save ar kitus žmones.**
- Jei peiliai nustoja judėti dėl tarp jų darbo metu įstrigusios pašalinių medžiagų, išjunkite įrankį ir išimkite akumulatoriaus kasėtę, tada įrankiu, pvz., replėmis, pašalinkite pašalines medžiagas.** Ranka šalinant pašalines medžiagas galima susižaloti, kadangi peiliai, reaguodami į šalinamas pašalines medžiagas, gali pajudėti.
- Venkite pavojingos aplinkos. Nenaudokite šio įrankio drėgnoje arba šlapioje vietoje; saugokite jį nuo lietaus.** Į šį įrankį patekęs vanduo padidina elektros smūgio pavojų.

Techninė priežiūra ir laikymas

- Prieš atlikdami bet kokius techninės priežiūros darbus, išjunkite įrankį ir ištraukite akumulatoriaus kasėtę.**
- Pernešdami įrankį į kitą vietą, taip pat ir darbo metu, visada ištraukite akumulatoriaus kasėtę ir uždėkite ant žirklių peilių apsauginį gaubtą.** Niekada neneškite ir netransportuokite įrankio peiliams veikiant. Niekada neimkite peilių rankomis.
- Po naudojimo ir padėdami saugoti ilgesniam laikotarpiui išvalykite įrankį, ypač žirklių peilius.** Peilius šiek tiek sutepkite alyva ir uždėkite gaubtą.
- Įrankį laikykite sausoje patalpoje su uždėtu peilių gaubtu.** Saugokite nuo vaikų. Niekada nelaikykite įrankio lauke.
- Nemeskite akumulatoriaus (-ių) į ugnį.** Akumulatoriaus elementas gali sprogti. Pasitikrinkite, ar vietiniai įstatymai neaprašo specialaus išmetimo būdo.
- Neatidarykite ir neardykite akumulatoriaus (-ių).** Ištekėjęs elektrolitas yra edančioji medžiaga, kuri gali pažeisti akis ar odą. Nurytas jis gali apnuodyti.

7. Nenaudokite akumulatoriaus lyjant arba drėgnose vietose.

SAUGOKITE ŠIAS INSTRUKCIJAS.

⚠️PSPĖJIMAS: NELEISKITE, kad patogumas ir gaminio pažinimas (įgyjamas pakartotinai naudojant) susilpnintų griežtą saugos taisyklių, taikytinų šiam gaminiui, laikymąsi. Dėl NETINKAMO NAUDOJIMO arba saugos taisyklių, kurios pateiktos šioje instrukcijoje, nesilaikymo galima rimtai susižeisti.

Svarbios saugos instrukcijos, taikomos akumulatoriaus kasetei

1. Prieš naudodami akumulatoriaus kasetę, perskaitykite visas instrukcijas ir perspėjimus ant (1) akumuliatorių įkroviklio, (2) akumuliatorių ir (3) akumuliatorių naudojančio gaminio.
 2. Neardykite ir negadinkite akumulatoriaus kasetės. Dėl to ji gali užsidegti, per daug įkaisti arba sprogti.
 3. Jei įrankio darbo laikas žymiai sutrumpėjo, nedelsdami nutraukite darbą su įrankiu. Tai gali kelti perkaitimo, nudegimų ar net sprogdimo pavojų.
 4. Jei elektrolitas pateko į akis, plaukite jas tyru vandeniu ir nedelsdami kreipkitės į gydytoją. Gali kilti regėjimo praradimo pavojus.
 5. Neužtrumpinkite akumulatoriaus kasetės:
 - (1) Nelieskite kontaktų degiomis medžiagomis.
 - (2) Venkite laikyti akumulatoriaus kasetę kartu su kitais metaliniais daiktais, pavyzdžiui, vinimis, monetomis ir pan.
 - (3) Saugokite akumulatoriaus kasetę nuo vandens ir lietaus.
- Trumpasis jungimas akumulatoriuje gali sukelti stiprią srovę, perkaitimą, galimus nudegimus ar net akumulatoriaus gedimą.
6. Nelaiikykite ir nenaudokite įrankio ir akumulatoriaus kasetės vietose, kur temperatūra gali pasiekti ar viršyti 50 °C (122 °F).
 7. Nedeginkite akumulatoriaus kasetės, net jei yra stipriai pažeista ar visiškai susidėvėjusi. Ugnyje akumulatoriaus kasetė gali sprogti.
 8. Akumulatoriaus kasetės nekalkite, nepjaustykite ir nemėtykite ir taip pat į ją netrankykite kietu daiktu. Taip elgiantis, ji gali užsidegti, per daug įkaisti arba sprogti.
 9. Nenaudokite pažeisto akumulatoriaus.
 10. Įdėtoms ličio jonų akumuliatoriams taikomi Pavojingų prekių teisės akto reikalavimai. Komercinis transportas, pvz., trečiųjų šalių, prekių vežimo atstovų, turi laikytis specialaus reikalavimo ant pakuotės ir ženklavimo.

Norėdami paruošti siųstiną prekę, pasitarkite su pavojingų medžiagų specialistu. Be to, laikykitės galimai išsamesnių nacionalinių reglamentų. Užklijuokite juosta arba padenkite atvirus kontaktus ir supakuokite akumuliatorių taip, kad ji pakuotėje nejudėtų.

11. Kai išmetate akumulatoriaus kasetę, išimkite ją iš įrankio ir išmeskite saugioje vietoje. Vadovaukitės vietos reglamentais dėl akumuliatorių išmetimo.
12. Baterijas naudokite tik su „Makita“ nurodytais gaminiais. Baterijas įdėjus į netinkamus gaminius gali kilti gaisras, gaminys pernelyg kaisti, kilti sprogdimas arba pratekėti elektrolitas.
13. Jei įrankis bus ilgą laiką nenaudojamas, akumuliatorių būtina išimti iš įrankio.
14. Darbo metu ir po akumulatoriaus kasetės gali būti įkaitusi ir dėl to nudeginti. Imdami akumulatoriaus kasetes, būkite atsargūs.
15. Tuojau pat po naudojimo nelieskite įrankio gnybtų, nes jie gali būti įkaitę tiek, kad nudegins.
16. Neleiskite, kad į akumulatoriaus kasetės gnybtus, angas ir griovelius patektų drožlių, dulkių ar žemių. Dėl to įrankis ar akumulatoriaus kasetė gali imti prastai veikti ar sugesti.
17. Jeigu įrankis nėra pritaikytas naudoti šalia aukštos įtampos elektros linijų, akumulatoriaus kasetės nenaudokite šalia aukštos įtampos elektros linijų. Dėl to gali sutrikti įrankio ar akumulatoriaus kasetės veikimas arba jie gali sugesti.
18. Laikykite akumuliatorių vaikams nepasiekiamoje vietoje.

SAUGOKITE ŠIAS INSTRUKCIJAS.

⚠️PERSPĖJIMAS: Naudokite tik originalų „Makita“ akumuliatorių. Neoriginalaus „Makita“ arba pakeisto akumulatoriaus naudojimas gali nulemti gaisrą, asmens sužalojimą ir pažeidimą. Tai taip pat panaikina „Makita“ suteikiamą „Makita“ įrankio ir įkroviklio garantiją.

Patarimai, ką daryti, kad akumulatorius veiktų kuo ilgiau

1. Pakraukite akumulatoriaus kasetę prieš ją visiškai išsikraunant. Visuomet nustokite naudoti įrankį ir pakraukite akumulatoriaus kasetę, kai pastebite, kad įrankio galia sumažėjo.
2. Niekada nekraukite iki galo įkrautos akumulatoriaus kasetės. Perkraunant trumpėja akumulatoriaus eksploatacijos laikas.
3. Akumulatoriaus kasetę kraukite esant kambario temperatūrai 10 - 40 °C. Prieš pradėdami krauti, leiskite įkaitusiai akumulatoriaus kasetei atvėsti.
4. Kai akumulatoriaus kasetės nenaudojate, ją išimkite iš įrankio ar įkroviklio.
5. Įkraukite akumulatoriaus kasetę, jei jos nenaudojate ilgą laiką (ilgiau nei šešis mėnesius).

VEIKIMO APRAŠYMAS

▲ PERSPĖJIMAS: Prieš pradėdami reguliuoti arba tikrinti įrankio veikimą, visuomet būtinai išjunkite įrankį ir išimkite akumuliatoriaus kasetę.

Įrankio naudojimas akumuliatorinių gyvatvorių žirklių režimu

Šį įrankį galima naudoti kaip akumuliatorines gyvatvorių žirkles, uždėjus gyvatvorių žirklių peilius.

Akumuliatoriaus kasetės uždėjimas ir nuėmimas

▲ PERSPĖJIMAS: Prieš įdėdami arba išimdami akumuliatoriaus kasetę, visada išjunkite įrankį.

▲ PERSPĖJIMAS: Įdėdami arba išimdami akumuliatoriaus kasetę, tvirtai laikykite įrankį ir akumuliatoriaus kasetę. Jeigu įrankį ir akumuliatoriaus kasetę laikysite netvirtai, jie gali išslysti iš jūsų rankų, todėl įrankis ir akumuliatoriaus kasetė gali būti sugadinti, o naudotojas sužalotas.

- **Pav.1:** 1. Raudonas sandariklis (indikatorius)
2. Mygtukas 3. Akumuliatoriaus kasetė

Jei norite išimti akumuliatoriaus kasetę, ištraukite ją iš įrankio, stumdami mygtuką, esantį kasetės priekyje.

Jei norite įdėti akumuliatoriaus kasetę, ant akumuliatoriaus kasetės esantį liežuvėlį sutapdinkite su korpuse esančiu grioveliu ir įstumkite į jai skirtą vietą. Įstatykite iki pat galo, kad spragtelėdama užsifiksuotų. Jeigu matote raudoną sandariklį (indikatorių), kaip parodyta paveikslėlyje, ji nėra visiškai užfiksuota.

▲ PERSPĖJIMAS: Akumuliatoriaus kasetę visada įkiškite iki galo, kol nebematysite raudono sandariklio (indikatoriaus) Priešingu atveju ji gali atsitiktinai iškristi iš įrankio ir sužeisti jus arba aplinkinius.

▲ PERSPĖJIMAS: Nekiškite akumuliatoriaus kasetės jėga. Jeigu kasetė sunkiai lenda, ją kiškite netinkamai.

Likusios akumuliatoriaus galios rodymas

Tik akumuliatoriaus kasetėms su indikatoriumi

- **Pav.2:** 1. Indikatorių lemputės 2. Tikrinimo mygtukas

Paspauskite akumuliatoriaus kasetės tikrinimo mygtuką, kad būtų rodoma likusi akumuliatoriaus energija. Maždaug trims sekundėms užsidegs indikatorių lemputės.

Indikatorių lemputės			Likusi galia
Šviečia	Nešviečia	Blyksi	
			75 - 100 %
			50 - 75 %
			25 - 50 %
			0 - 25 %
			Įkraukite akumuliatorių.
			Galimai įvyko akumuliatoriaus veikimo triktis.

PASTABA: Rodmuo gali šiek tiek skirtis nuo faktinės energijos lygio – tai priklauso nuo naudojimo sąlygų ir aplinkos temperatūros.

PASTABA: Veikiant akumuliatoriaus apsaugos sistemai ims mirksėti pirmoji (toliausiai kairėje) indikatoriaus lemputė.

Įrankio / akumuliatoriaus apsaugos sistema

Įrankyje įrengta įrankio / akumuliatoriaus apsaugos sistema. Ši sistema automatiškai atjungia variklio maitinimą, kad įrankis ir akumuliatorius ilgiau veiktų. Įrankis automatiškai išsijungs darbo metu esant vienai iš toliau nurodytų įrankio arba akumuliatoriaus darbo sąlygų:

Apsauga nuo perkrovos

Kai akumuliatorius naudojamas taip, kad neįprastai padidėja elektros srovė, įrankis automatiškai išsijungia. Tokiu atveju atleiskite įrankio gaiduką ir nutraukite darbą, dėl kurio kilo įrankio perkrova. Po to vėl įjunkite įrankį.

Apsauga nuo perkaitimo

Kai akumuliatorius perkaista, įrankis automatiškai išsijungia. Tokiu atveju, prieš vėl jungdami įrankį, leiskite įrankiui ir akumuliatoriui atvėsti.

Apsauga nuo visiško išsekimo

Kai akumuliatoriaus įkrovos lygis nepakankamas, įrankis automatiškai išsijungia. Tokiu atveju ištraukite akumuliatorių iš įrankio ir įkraukite jį.

Jungiklio veikimas

⚠ JSPĖJIMAS: Prieš montuodami akumuliatoriaus kasetę įrankyje, visuomet patikrinkite, ar gaidukas tinkamai veikia ir atleistas grįžta į išjungimo padėtį „OFF“.

⚠ JSPĖJIMAS: Jūsų pačių saugumui šiame įrankyje įrengtas atlaisvinimo mygtukas, kuris neleidžia netyčia įjungti įrankio. Niekada nenaudokite įrankio, jei jis įsijungia nuspaudus gaiduką, tačiau nenuspaudus atlaisvinimo mygtuko. Dėl remonto kreipkitės į vietinį „Makita“ techninės priežiūros centrą.

⚠ JSPĖJIMAS: Niekada neišjunkite užfiksavimo funkcijos ir neužklįjuokite lipnia juostele atlaisvinimo mygtuko.

PASTABA: Netraukite svirtinio gaiduko smarkiai, nenuspaudę atlaisvinimo mygtuko. Gaidukas gali nulūžti.

► **Pav.3:** 1. Gaidukas 2. Užfiksavimo mygtukas

Atlaisvinimo mygtukas neleidžia atsitiktinai paspausti gaiduko. Jei norite įjungti įrankį, paspauskite atlaisvinimo mygtuką ir gaiduką. Norėdami įrankį išjungti, gaiduką atleiskite. Atlaisvinimo mygtuką galima nuspusti iš kairės arba dešinės pusės.

Indikatoriaus lemputė

Indikatoriaus lemputė žybočia arba šviečia, kai likusi akumuliatoriaus galia yra maža arba ji visiškai išsekusi. Indikatoriaus lemputės užsidega ir tuo atveju, kai įrankio variklis perkrautas.

► **Pav.4:** 1. Indikatoriaus lemputė

Lemputės būsena ir atlikini veiksmai

Indikatoriaus lemputė	Būsena	Kokio veiksmo reikia imtis
Mirksi raudona lemputė.	Likusi akumuliatoriaus galia yra maža.	Įkraukite akumuliatorių.
Šviečia raudona lemputė. *	Įrankis išsijungė, nes likusi akumuliatoriaus galia yra visiškai išsekusi.	Įkraukite akumuliatorių.
	Įrankis išsijungė dėl perkrovos.	Išjunkite įrankį.

* Laikas, kuriam praėjus indikatoriaus lemputė užsidega, priklauso nuo darbo vietoje esančios temperatūros ir akumuliatoriaus kasetės būklės.

Pjovimo aukščio nustatymas (žoliapjovei)

Pasirenkamasis priedas

⚠ PERSPĖJIMAS: Keisdami pjovimo aukštį, būtina uždėkite peilio gaubtą ir būkite atsargūs, kad pirštai neužstrigtų tarp įrankio ir žolės gaudyklės.

Pjovimo aukštį galima nustatyti trimis lygiais (15 mm, 20 mm ir 25 mm) keičiant žolės gaudyklės fiksavimo padėtį. Pjovimo aukštis be žolės gaudyklės yra maždaug 10 mm.

1. Paslinkite žolės gaudyklę įrankio priekio link.

► **Pav.5:** 1. Žolės gaudyklė

2. Keiskite žolės gaudyklės fiksavimo padėtį, pasumdami ją rodyklės kryptimi.

► **Pav.6**

PASTABA: Pjovimo aukščio vertė yra orientyras. Faktinis pjovimo aukštis gali skirtis priklausomai nuo vejos arba žemės būklės.

PASTABA: Iš pradžių pabandykite pjauti mažiau pastebimoje vietoje, kad nustatytumėte pageidaujamą aukštį.

SURINKIMAS

⚠ PERSPĖJIMAS: Prieš darydami ką nors įrankiui visada patikrinkite, ar įrenginys išjungtas, o akumuliatorių kasetė – nuimta.

⚠ PERSPĖJIMAS: Keisdami pjovimo peilius, visada mėvėkite pirštines ir uždėkite peilio gaubtą, kad rankos ir veidas tiesiogiai neprisiliestų prie peilio.

PASTABA: Keisdami pjovimo peilius, nenuvalykite tepalo nuo pavaros ir švaistiklio.

Peilio gaubto uždėjimas ir nuėmimas

⚠ PERSPĖJIMAS: Būkite atsargūs, kad uždėdami arba nuimdami peilio gaubtą neprisiliestumėte prie pjovimo peilių.

Norėdami nuimti peilio gaubtą, lengvai jį truktelėkite, tada paslinkite į šoną. Norėdami uždėti peilio gaubtą, atlikite veiksmus atvirkščia eilės tvarka.

► **Pav.7**

Žolės gaudyklės uždėjimas ir nuėmimas

Pasirenkamasis priedas

⚠ PERSPĖJIMAS: Uždėdami ir nuimdami žolės gaudyklę, būtina uždėkite peilio gaubtą ir būkite atsargūs, kad jūsų pirštai neužstrigtų tarp įrankio ir žolės gaudyklės.

Žolės gaudyklės uždėjimas

1. Pritvirtinkite žolės gaudyklės lankstą prie įrankio griovelio.

► **Pav.8:** 1. Lankstas 2. Žolės gaudyklė

2. Sulygiuokite iškyšas ant žolės gaudyklės su grioveliais ant įrankio, slinkdami žolės gaudyklę įrankio priekio link ir stumdami ją rodyklės kryptimi.

► **Pav.9**

PASTABA: Kai sulygiuosite iškyšas ant žolės gaudyklės su grioveliais ant įrankio, neprikabinkite žolės gaudyklės lanksto prie įrankio per jėgą.

Žolės gaudyklės nuėmimas

1. Atlaisvinkite iškyšas ant žolės gaudyklės iš griovelių ant įrankio, slinkdami žolės gaudyklę įrankio priekio link.



► **Pav.10:** 1. Žolės gaudyklė

2. Atlaisvinkite žolės gaudyklės lankstą iš įrankio.

Žoliapjovės peilių uždėjimas ir nuėmimas

PASTABA: Jei nusidėvėjo dalys, pvz., švaistiklis, išskyrus pjovimo peilius, kreipkitės į „Makita“ įgaliotuosius techninės priežiūros centrus, kad pakeistų dalis ar atliktų remonto darbus.





Pjovimo peilių nuėmimas

1. Nuimkite žolės gaudyklę, jeigu ji sumontuota. Padėkite įrenginį apatine puse į viršų.
▶ **Pav.11**
2. Spausdami fiksavimo svirtelę, sukite apatinį gaubtą prieš laikrodžio rodyklę tol, kol  ant apatinio gaubto susilygins su  ant fiksavimo svirties.
▶ **Pav.12:** 1. Apatinis gaubtas 2. Fiksavimo svirtis
3. Nuimkite apatinį gaubtą, pjovimo peilius ir švaistiklį.
▶ **Pav.13:** 1. Apatinis gaubtas 2. Pjovimo peiliai 3. Švaistiklis

Pjovimo peilių montavimas

1. Paruoškite švaistiklį, apatinį gaubtą ir naujus pjovimo peilius.
▶ **Pav.14:** 1. Švaistiklis 2. Apatinis gaubtas 3. Pjovimo peiliai
2. Nuimkite peilio gaubtą nuo senų pjovimo peilių ir pritaisykite jį prie naujų peilių.
▶ **Pav.15:** 1. Ašmenų gaubtelis
3. Pareguliuokite tris kaiščius taip, kad jie būtų sulyginti su sulyginimo linija.
▶ **Pav.16:** 1. Sulyginimo linija
4. Patepkite mažu tepalo kiekiu išorinę švaistiklio pusę. Prijunkite švaistiklį prie kaiščių su į viršų nukreiptais mažais ir dideliais skrituliais.
▶ **Pav.17:** 1. Švaistiklis
5. Pareguliuokite peilius ir kreiptuvo plokštę taip, kad kreiptuvo plokštėje esanti anga ir du išsikišimai ant peilių būtų sulygiuoti.
▶ **Pav.18:** 1. Kreiptuvo plokštė
6. Apverskite pjovimo peilius ir sumontuokite juos taip, kad ant įrankio esantys kaiščiai įsitaisytų kreiptuvo plokštės angoje. Užtikrinkite, kad pjovimo peiliai būtų tvirtai uždėti.
▶ **Pav.19:** 1. Kreiptuvo plokštė

PASTABA: Šiek tiek paslinkus ašmenų gaubtelį pirmyn, bus lengviau pritvirtinti žirklių peilius.

7. Uždėkite apatinį gaubtą taip, kad  ant apatinio gaubto susilygintų su  ant fiksavimo svirties.
▶ **Pav.20:** 1. Apatinis gaubtas 2. Fiksavimo svirtis
8. Spausdami apatinį gaubtą žemyn, sukite jį pagal laikrodžio rodyklę tol, kol  ant apatinio gaubto susilygins su  ant fiksavimo svirties.
▶ **Pav.21:** 1. Apatinis gaubtas 2. Fiksavimo svirtis
9. Įsitikinkite, kad fiksavimo svirtis yra apatinio gaubto griovelyje.
▶ **Pav.22:** 1. Fiksavimo svirtis

▲PERSPĖJIMAS: Niekada nenaudokite įrankio, jeigu nesumontuotas apatinis gaubtas.

10. Nuimkite peilio gaubtą ir įjunkite įrankį, kad patikrintumėte, ar jis veikia tinkamai.



PASTABA: Jeigu pjovimo peiliai veikia netinkamai, jie nėra tinkamai uždėti ant švaistiklio. Nuimkite peilius ir vėl juos uždėkite.

Gyvatvorių žirklių peilių uždėjimas ir nuėmimas

▲PERSPĖJIMAS: Prieš montuodami arba nuimdami žirklių peilius, uždėkite peilio gaubtą.

PASTABA: Jei nusidėvėjo dalys, pvz., švaistiklis, išskyrus pjovimo peilius, kreipkitės į „Makita“ įgaliotuosius techninės priežiūros centrus, kad pakeistų dalis ar atliktų remonto darbus.

Pjovimo peilių nuėmimas

1. Padėkite įrenginį apatine puse į viršų.
▶ **Pav.23**
2. Spausdami fiksavimo svirtelę, sukite apatinį gaubtą prieš laikrodžio rodyklę tol, kol  ant apatinio gaubto susilygins su  ant fiksavimo svirties.
▶ **Pav.24:** 1. Fiksavimo svirtis 2. Apatinis gaubtas
3. Nuimkite apatinį gaubtą.
▶ **Pav.25:** 1. Apatinis gaubtas
4. Naudodami atsuktuvą, atsukite du varžtus ir nuimkite pjovimo peilius.
▶ **Pav.26:** 1. Varžtai

PASTABA: Pjovimo peiliai gali būti nuimti, neišsukant varžtų.

5. Ištraukite iš pjovimo peilių švaistiklį.
▶ **Pav.27:** 1. Švaistiklis

PASTABA: Švaistiklį galima palikti įrankyje.

PASTABA: Uždėkite peilio gaubtą ant nuimtų pjovimo peilių ir sudėkite juos į dėklą, tada padėkite peilius.

Pjovimo peilių montavimas

1. Paruoškite švaistiklį, apatinį gaubtą ir naujus pjovimo peilius.
▶ **Pav.28:** 1. Švaistiklis 2. Apatinis gaubtas 3. Pjovimo peiliai
2. Uždėkite peilio gaubtą ant pjovimo peilių.
▶ **Pav.29:** 1. Ašmenų gaubtelis
3. Pareguliuokite tris kaiščius taip, kad jie būtų sulyginti su sulyginimo linija.
▶ **Pav.30:** 1. Sulyginimo linija
4. Patepkite mažu tepalo kiekiu išorinę švaistiklio pusę. Prijunkite švaistiklį prie kaiščių su į apačią nukreiptais mažais ir dideliais skrituliais.
▶ **Pav.31:** 1. Švaistiklis

5. Slinkite pjovimo peilius taip, kad kreiptuvo plokštėje esanti anga būtų peilių žiedų centre.

► **Pav.32:** 1. Kreiptuvo plokštė



6. Apverskite pjovimo peilius ir sumontuokite juos taip, kad ant įrankio esantis kaištis įsitaisyty pjovimo peilių angoje. Įtaisykite kreiptuvo plokštės kumštelį į įrankyje esantį griovelį. Užtikrinkite, kad pjovimo peiliai būtų tvirtai uždėti.

► **Pav.33:** 1. Kumštelis 2. Kreiptuvo plokštė



PASTABA: Šiek tiek paslinkus ašmenų gaubtelį pirmyn, bus lengviau pritvirtinti žirklių peilius.

7. Atsuktuvu tvirtai užsukite du varžtus.

► **Pav.34:** 1. Varžtai

8. Uždėkite apatinį gaubtą taip, kad  ant apatinio gaubto susilygintų su  ant fiksavimo svirties.

► **Pav.35:** 1. Fiksavimo svirtis 2. Apatinis gaubtas

9. Spausdami apatinį gaubtą žemyn, sukite jį pagal laikrodžio rodyklę tol, kol  ant apatinio gaubto susilygins su  ant fiksavimo svirties.

► **Pav.36:** 1. Apatinis gaubtas

10. Įsitikinkite, kad fiksavimo svirtis yra apatinio gaubto griovelyje.

► **Pav.37:** 1. Fiksavimo svirtis

▲PERSPĖJIMAS: Niekada nenaudokite įrankio, jeigu nesumontuotas apatinis gaubtas.

11. Nuimkite peilio gaubtą ir įjunkite įrankį, kad patikrintumėte, ar jis veikia tinkamai.

PASTABA: Jeigu pjovimo peiliai veikia netinkamai, jie nėra tinkamai uždėti ant švaistiklio. Nuimkite peilius ir vėl juos uždėkite.

Skiedrų gaudyklės uždėjimas ir nuėmimas

Pasirenkamasis priedas

▲PERSPĖJIMAS: Uždėdami ar nuimdami skiedrų gaudyklę, visada mūvėkite pirštines ir uždėkite peilio gaubtą, kad rankos ir veidas tiesiogiai neprisiilietų prie peilio.

Skiedrų gaudyklė surenka netinkamus lapus, todėl vėliau valyti tampa daug lengviau. Ją galima uždėti bet kurioje įrankio pusėje.

Norėdami įstatyti skiedrų gaudyklę, paspauskite ją ant pjovimo peilių taip, kad jos kabliukai išoktų į angas pjovimo peiliuose.

► **Pav.38:** 1. Kabliukai 2. Angos

Jei norite nuimti skiedrų gaudyklę, paspauskite svirtis abiejose pusėse, kad atpalaiduotumėte kabliukus.

► **Pav.39:** 1. Svirtys

PASTABA: Niekada nebandykite nuimti skiedrų gaudyklės jėga, jos kabliukams esant įkabintiems peilių angose.

NAUDOJIMAS

▲JSPĖJIMAS: Prieš pradėdami pjauti, surinkite nuo vejos šakas ir akmenis. Prieš pradėdami pjauti, taip pat išraukite visas piktžoles.

► **Pav.40**

▲JSPĖJIMAS: Rankas laikykite kuo toliau nuo peilių.

▲PERSPĖJIMAS: Jei tik įmanoma, stenkitės nenaudoti šio įrankio labai karštomis oro sąlygomis. Naudodami šį įrankį, atsižvelkite į savo fizinę būklę.

Pjovimas (žoliapjove)

Nustatę pjovimo aukštį, įjunkite įrankį ir laikykite jį taip, kad įrankio apačia remtųsi į žemę. Švelniai stumkite įrankį į priekį.

► **Pav.41**

Pjaudami žolę aplink kelkraščius, tvoras arba medžius, slinkite įrankį išilgai jų. Būkite atsargūs, kad peiliai jų nelieštų.

► **Pav.42**

Pjaudami atžalas arba mažų medelių lapiją, pjaukite po truputį.

► **Pav.43**

Šakų karpymo žirkklėmis apkarpykite dideles, aukščiau esančias šakas, tik tuomet naudokite šį įrankį.

PASTABA: Nenaudokite šio įrankio taip, kad variklis sustotų arba suktųsi labai lėtai.

PASTABA: Nebandykite genėti storų šakų.

PASTABA: Neleiskite, kad darbo metu pjovimo peiliai liestų žemę. Peiliai nudils ir sumažės darbo našumas.

PASTABA: Nepjaukite šlapios žolės arba medelių lapijos.

Aukštos žolės pjovimas

Nebandykite nupjauti aukštos žolės per vieną kartą. Vietoj to pjaukite žolę etapais. Tarp pjovimų darykite vienos arba dviejų dienų pertrapius, kol žolė bus tolygiai trumpai nupjauta.

► **Pav.44**

PASTABA: Jeigu bandysite aukštą žolę nupjauti per vieną kartą, ji gali sunykti.

Karpymas (gyvatvorių žirkklėmis)

▲PERSPĖJIMAS: Kirpdami saugokitės, kad neužkabintumėte peiliu metalinės tvoros ar kito kieto daikto. Geležtė gali nulūžti ir sužeisti.

▲PERSPĖJIMAS: Būkite atsargūs ir neleiskite, kad pjovimo peiliai liestų žemę. Įrankis gali nulūžti ir sužeisti.

▲PERSPĖJIMAS: Nepaprastai pavojinga gyvatvorės žirkklėmis užsimoti per toli, ypač nuo kopėčių. Nedirbkite stovėdami ant netvirtos ar svyruojančios pagrindo.

PASTABA: Nebandykite šiuo įrankiu pjauti šakelių, storesnių kaip 10 mm. Šakų karpymo žirkėmis nukarkykite šakelas iki 10 cm žemiau pjovimo aukščio, tik tuomet naudokite šį įrankį.

► **Pav.45:** (1) Pjovimo aukštis (2) 10 cm

PASTABA: Nepjaukite sudžiūvusių šakų ar panašių kietų daiktų. Taip galite sugadinti įrankį.

PASTABA: Nepjaukite žolės ar piktžolių gyvatvorių karpymo peiliu. Karpymo peilis gali įsipainioti žolėje arba piktžolėse.

Laikykite įrankį viena ranka, patraukite svirtinį gaiduką, spausdami atlaisvinimo mygtuką, tuomet stumkite įrankį į priekį.

► **Pav.46**

Paprasciausias veiksmas yra pakreipti peilį pjovimo kryptimi, ramiai ir lėtai jį judinti, įveikiant metrą per 3 – 4 sekundes.

► **Pav.47**

Norėdami tiesiai nupjauti gyvatvorės viršų, reikiamame aukštyje pririškite virvę ir pjaukite išilgai jos.

► **Pav.48**

Jei prie peilių pritvirtinama skiedrų gaudyklė, ji surenka netinkamus lapus, todėl vėliau valyti tampa daug lengviau.

Norėdami tolygiai apipjauti gyvatvorės šonus, pjaukite iš apačios į viršų.

► **Pav.49**

Jei norite išgauti apvalią formą (apkarpančią buksmedžius, rododendrus ir pan.), kirpkite nuo pagrindo į viršų, kad pasiektumėte gerų rezultatų.

► **Pav.50**

TECHNINĖ PRIEŽIŪRA

⚠ PERSPĖJIMAS: Visuomet įsitikinkite, ar įrankis yra išjungtas ir akumulatoriaus kasetė yra nuimta prieš atlikdami apžiūrą ir priežiūrą.

Kad gaminys būtų SAUGUS ir PATIKIMAS, jį taisyti, apžiūrėti ar vykdyti bet kokią kitą priežiūrą ar derinimą turi įgaliotasis kompanijos „Makita“ techninės priežiūros centras; reikia naudoti tik kompanijos „Makita“ pagamintas atsargines dalis.

Įrankio valymas

Nuvalykite nuo įrankio dulkes sausu ar muilinu vandeniu sumirkytu ir nugręžtu skuduru.

PASTABA: Niekada nenaudokite gazolino, benzino, tirpiklio, spirito arba panašių medžiagų. Gali atsirasti išblukimų, deformacijų arba įtrūkimų.

Peilio techninė priežiūra

Prieš darbą arba kas valandą darbo metu patepkite peilius mažo klampumo alyva (mašininė alyva ar purškiamą tepimo alyva).

► **Pav.51**

► **Pav.52**

Po darbo vieliniu šepetėliu išvalykite dulkes iš abiejų peilio pusių, nuvalykite jį skudurėliu, o paskui patepkite mažo klampumo alyva (mašininė alyva ar purškiamą tepimo alyva).

► **Pav.53**

► **Pav.54**

PASTABA: Neplaukite peilių vandeniu. Tai gali paskatinti rūdijimą arba sugadinti šį įrankį.

PASTABA: Purvas ir korozija sukelia pernelyg didelę trintį ir sutrumpina akumulatoriaus darbo laiką.

Laikymas

Įrankio apačioje esanti skylė kabliui leidžia patogiai pakabinti įrankį ant vinies ar varžto sienoje.

Uždėkite peilio gaubtą ant pjovimo peilių, kad jie būtų uždengti. Saugokite įrankį vaikams nepasiekiamoje vietoje. Laikykite įrankį nuo drėgmės ar lietaus apsaugotoje vietoje.

► **Pav.55:** 1. Skylutė

► **Pav.56:** 1. Skylutė

PASIRENKAMI PRIEDAI

⚠ PERSPĖJIMAS: Šiuos papildomus priedus arba įtaisus rekomenduojama naudoti su šioje instrukcijoje nurodytu „Makita“ bendrovės įrankiu. Naudojant bet kokius kitus papildomus priedus arba įtaisus, gali kilti pavojus sužeisti žmones. Naudokite tik nurodytam tikslui skirtus papildomus priedus arba įtaisus.

Jeigu norite daugiau sužinoti apie tuos priedus, kreipkitės į artimiausią „Makita“ techninės priežiūros centrą.

- Peilio mechanizmas (žoliapjovei)
- Peilio gaubtas (žoliapjovei)
- Žolės gaudyklė (žoliapjovei)
- Ilga rankena (žoliapjovei)
- Peilio mechanizmas (gyvatvorės žirklems)
- Peilio gaubtas (gyvatvorės žirklems)
- Skiedrų gaudyklė (gyvatvorės žirklems)
- Dėklas
- Originalūs „Makita“ akumulatorius ir įkroviklis

PASTABA: Kai kurie sąraše esantys priedai gali būti pateikti įrankio pakuotėje kaip standartiniai priedai. Jie įvairiose šalyse gali skirtis.

TEHNILISED ANDMED

Mudel:		DUM111
Lõikelaius		110 mm
Käikude arv minutis		2 500 min ⁻¹
Asenduslõiketera osa number	Murulõikur	191N23-4, 195267-4
	Hekitrimmer	191N24-2, 198408-1
Mõõtmed (P × L × K)		330 mm × 120 mm × 130 mm
Nimipinge		Alalisvool 18 V
Netokaal		1,4 kg – 1,8 kg

- Meie pideva uuringu- ja arendusprogrammi tõttu võidakse tehnilisi andmeid muuta ilma sellest ette teatamata.
- Tehnilised andmed ja akukassett võivad riigiti erineda.
- Kaal võib erineda olenevalt lisaseadistest, kaasa arvatud akukassetist. Kergeim ja raskeim kombinatsioon EPTA-protseduuri 01/2014 kohaselt on toodud tabelis.

Sobiv akukassett ja laadija

Akukassett	BL1815N / BL1820B / BL1830B / BL1840B / BL1850B / BL1860B
Laadija	DC18RC / DC18RD / DC18RE / DC18SD / DC18SE / DC18SF / DC18SH

- Mõned eespool loetletud akukassetid ja -laadijad ei pruugi olla teie riigis saadaval.

⚠ HOIATUS: Kasutage ainult ülalpool loetletud akukasseid ja laadijaid. Muude akukassetide ja laadijate kasutamine võib tekitada vigastusi ja/või tulekahju.







Soovitatud juhtmega ühendatav toiteallikas





Portatiivne akukomplekt	PDC01
-------------------------	-------

- Eespool loetletud juhtmega ühendatavad toiteallikad ei pruugi olla teie riigis saadaval.
- Enne juhtmega ühendatava toiteallika kasutamist lugege neil olevaid juhiseid ja ettevaatusabinõusid.

Sümbolid

Alljärgnevalt kirjeldatakse tingimärke, mida võidakse seadmetel kasutada. Enne seadme kasutamist tehke endale selgeks nende tähendus.

	Olge äärmiselt ettevaatlik ja tähelepanelik.
	Lugege juhendit.
	Ohtlik; pidage silmas õhkupaiskuvaid objekte.
	Hoidke kõrvalised isikud eemal.
	Lõikeosad liiguvad pärast mootori väljalülitamist edasi.
	Ärge jätke seadet niiskuse kätte.

	Kandke kaitseprille.
	
	OHT – Hoidke käed terast eemal.
	Ainult EL-i riikide puhul Seadmes sisalduvate ohtlike osade tõttu võivad elektri- ja elektroonikaseadmete jäätmel, akud ja patareid avaldada negatiivset mõju keskkonnale ja inimeste tervisele. Elektri- ja elektroonikaseadmeid ega akusid ei tohi kõrvaldada koos olmejäätmetega! Euroopa elektri- ja elektroonikaseadmete jäätmel, akude ja patareide ning nende jäätmel direktiivi ja riiklikku õigusesse ülevõtmise kohaselt tuleb elektri- ja elektroonikaseadmete, akude ja patareide jäätmel koguda eraldi ning viia eraldiseisvasse olmejäätmete kogumispunkti, mis tegutseb kooskõlas keskkonnakaitse eeskirjadega. Sellele osutab seadmele paigaldatud läbikriipsutatud ratastega prügikasti sümbol.



Garanteeritud helivõimsustase ELi välis-tingimustes kasutatavate seadmete müra direktiivi kohaselt.



Helivõimsustase Austraalia NSW müra-kontrolli määruse kohaselt

Kavandatud kasutus

Tööriist on ette nähtud muruplatsi servade või võrsete lõikamiseks.

Müra

Tüüpiline A-korrigeeritud müratase, määratud standardi EN50636-2-94 kohaselt:

DUM111 paigaldatud muruniitmise lõiketeraga

Helirõhutase (L_{pA}): 70 dB (A)

Määramatus (K): 1,5 dB (A)

Töötamisel võib müratase ületada 80 dB (A).

Tüüpiline A-korrigeeritud müratase, määratud standardi EN62841-4-2 kohaselt:

DUM111 paigaldatud hekitrimmeri lõiketeraga

Helirõhutase (L_{pA}): 70 dB (A)

Määramatus (K): 3 dB (A)

Töötamisel võib müratase ületada 80 dB (A).

MÄRKUS: Deklareeritud müra väärtust (väärtuseid) on mõõdetud kooskõlas standardse katsemeetodiga ning seda võib kasutada ühe seadme võrdlemiseks teisega.

MÄRKUS: Deklareeritud müra väärtust (väärtuseid) võib kasutada ka mürataseme esmaseks hindamiseks.

⚠️HOIATUS: Kasutage kõrvakaitsmeid.

⚠️HOIATUS: Müratase võib elektritööriista tegelikkuses kasutamise ajal erineda deklareeritud väärtus(t)est olenevalt tööriista kasutusviisidest ja eriti töödeldavast toorikust.

⚠️HOIATUS: Rakendage operaatori kaitsmiseks kindlasti piisavaid ohutusabinõusid, mis põhinevad hinnangulisel müratasemel tegelikus töösihtuolukorras (võttes arvesse tööperioodi kõiki osasid, näiteks korrad, kui seade lülitatakse välja ja seade töötab tühikäigul, lisaks tööajale).

Vibratsioon

Vibratsiooni koguväärtus (kolmeteljeliste vektorite summa) määratud standardi EN50636-2-94 kohaselt:

DUM111 paigaldatud muruniitmise lõiketeraga

Vibratsiooniheid (a_h): 2,5 m/s² või vähem

Määramatus (K): 1,5 m/s²

Vibratsiooni koguväärtus (kolmeteljeliste vektorite summa) määratud standardi EN62841-4-2 kohaselt:

DUM111 paigaldatud hekitrimmeri lõiketeraga

Vibratsiooniheid (a_h): 2,5 m/s² või vähem

Määramatus (K): 1,5 m/s²

MÄRKUS: Deklareeritud vibratsiooni koguväärtust (-väärtuseid) on mõõdetud kooskõlas standardse katsemeetodiga ning seda võib kasutada ühe seadme võrdlemiseks teisega.

MÄRKUS: Deklareeritud vibratsiooni koguväärtust (-väärtuseid) võib kasutada ka mürataseme esmaseks hindamiseks.

⚠️HOIATUS: Vibratsioonitase võib elektritööriista tegelikkuses kasutamise ajal erineda deklareeritud väärtus(t)est olenevalt tööriista kasutusviisidest ja eriti töödeldavast toorikust.

⚠️HOIATUS: Rakendage operaatori kaitsmiseks kindlasti piisavaid ohutusabinõusid, mis põhinevad hinnangulisel müratasemel tegelikus töösihtuolukorras (võttes arvesse tööperioodi kõiki osasid, näiteks korrad, kui seade lülitatakse välja ja seade töötab tühikäigul, lisaks tööajale).

EÜ vastavusdeklaratsioon

Ainult Euroopa riikide puhul

EÜ vastavusdeklaratsioon sisaldub käesoleva juhendi Lisas A.

OHUTUSHOIATUSED

Üldised elektritööriistade ohutushoiatused

⚠️HOIATUS: Lugege läbi kõik selle elektritööriistaga kaasas olevad ohutushoiatused, juhised, joonised ja tehnilised andmed. Järgnevate juhiste eiramine võib põhjustada elektrilöögi, süttimise ja/või raske kehavigastuse.

Hoidke edaspidisteks viide- teks alles kõik hoiatused ja juhtnöörid.

Hoiatuses kasutatud termini „elektritööriist“ all peetakse silmas elektriga töötavaid (juhtmega) elektritööriistu või akuga töötavaid (juhtmeta) elektritööriistu.

Juhtmeta murulõikuri ohutushoiatused

Üldjuhised

1. Nõuetekohase töö tagamiseks peab kasutaja lugema seda kasutusjuhendit, et tutvuda seadme käsitsemisega. Puudulikult informeeritud kasutajad võivad seadme oskamatu käsitsemisega seada ohtu nii enda kui ka teised inimesed.
2. Ärge kunagi laske tööriista kasutada lastel, vähenenud füüsilistel, meeleliste või vaimsete võimetega inimestel, puudulike kogemuste ega teadmistega inimestel ega inimestel, kes ei ole tutvunud nende juhistega, kohalikud määrused võivad seada piirangu kasutaja vanusele.
3. Seadme kasutamisel tuleb olla ülimalt ettevaatlik ja tähelepanelik.
4. Seadet kasutavad inimesed peavad olema heas füüsilises vormis. Töötage alati rahulikult ja ettevaatlikult. Lähtuge kaine mõistusest ja pidage meeles, et omanik või kasutaja vastutab teistele isikutele põhjustatud vigastuste või nende varale tekitatud kahjustuste eest.

- Ärge kunagi kasutage masinat siis, kui läheduses viibivad inimesed (eriti lapsed) või lemmikloomad.
- Kui seadmel ilmnevad mis tahes probleemid või ebaharilikud nähud, siis tuleb mootor viivitamatult välja lülitada.
- Lülitage mootor välja ja eemaldage akukassett, kui puhkate või jätate seadme järelevalveta, ning paigutage seade ohutusse kohta, kus see kedagi ei ohustaks ja oleks kaitstud kahjustuste eest.
- Vältige masina kasutamist halbade ilmaolude korral, eriti kui valitseb äikeseoht.

Isikukaitsevahendid

- Masinaga töötamisel peavad silmad olema alati kaitstud ning tuleb kanda toekaid jalanõusid.
- Kandke tööriista kasutades alati tugevaid jalatseid ja pikki pükse.

Seadme käivitamine

- Veenduge, et läheduses ei oleks lapsi ega teisi isikuid ning pöörake tähelepanu ka tööpiirkonnas viibivatele loomadele. Muul juhul lõpetage seadme kasutamine.
- Enne kasutamist kontrollige alati, et seade oleks töökorras. Kontrollige lõikeriista ja kaitsme ohutust ning lüliti päästiku / hoova sujuvat ja korralikku toimimist. Kontrollige, kas käepidemed on puhtad ja kuivad, samuti kontrollige käivitamise/seiskamise funktsioneerimist.
- Kontrollige enne seadme kasutamist, kas selle osad on kahjustatud. Kahjustatud kaitset või muud osa tuleb hoolikalt kontrollida, kas see töötab korrektselt ja täidab ettenähtud funktsiooni. Kontrollige liikuvate osade joondust, liikuvate osade kokkujooksu, purunenud osi, osade paigaldust ja muid tingimusi, mis võivad mõjutada tööriista tööd. Kahjustatud kaitse või muu seadme osa tuleb nõuetekohaselt parandada või vahetada välja volitatud hoolduskeskuses, kui juhendis ei ole soovitatud teisiti.
- Lülitage mootor sisse ainult siis, kui käed ja jalad on lõikeriistast eemal.
- Veenduge enne lõikeriista käivitamist, et see ei puutuks mitte millegi vastu.

Töömeetod

- Kasutage seadet ainult hea valguse ja nähtavuse korral. Olge eriti tähelepanelik talvel, kui on libe, märg, jääne ja lumine (libisemisohu). Jälgige, et jalgealune oleks kallakutel alati kindel ja ärge kunagi jookske, vaid kõndige.
- Olge tähelepanelik, et te ei vigastaks lõikeriistaga oma jalgu ega käsi.
- Ärge kasutage töötavat seadet redelil seistes.
- Ärge lõigake kunagi selle seadmega puu otsa ronides.
- Ärge töötaga kunagi ebakindlal pinnal.
- Eemaldage tööpiirkonnast liiv, kivid, naelad jms. Võõrkehaded võivad kahjustada lõikeriista ja põhjustada ohtlikke tagasilööke.

- Kui lõikeriist peaks tabama kive või muid kõvasid esemeid, lülitage mootor kohe välja ja kontrollige lõikeriista.
- Kontrollige lõikeriista sageli ja regulaarselt vigastuste esinemise suhtes (juuspeened praod saab koputamise teel kindlaks teha).
- Lõikeriist peab enne lõikamise alustamist olema saavutanud täiskiiruse.
- Lõikeriist peab olema varustatud sobiva kaitsmega. Ärge kunagi kasutage seadet, mille kaitsmed on kahjustatud või millel ei ole kaitsmeid!
- Kõik seadmega kaasas olevad kaitseeadised ja kaitsmed peavad töötamise ajal olema paigaldatud.
- Eemaldage alati seadmest akukassett:
 - kui lahkute seadme juurest;
 - enne takistuse või ummistuse kõrvaldamist;
 - enne kontrollimist, puhastamist või mis tahes muude tööde tegemist seadmel;
 - pärast pörkimist vastu võõrkehade;
 - kui seade hakkab ebatavaliselt vibreerima.
- Kandke hoolt selle eest, et ventilatsioonivad oleksid alati prahist puhtad.
- Lõikeosad liiguvad pärast mootori väljalülitamist edasi.
- Kui terad ei liigu, kuna nende vahele on töö ajal jäänud võõrkehaded, lülitage tööriist välja, eemaldage akukassett ja seajärel eemaldage võõrkehaded sobivate tööriistadega (nt näpitsatega). Võõrkehade käsitsi eemaldamisel võib käsi saada vigastusi, kui terad võõrkehade eemaldamisel liiguvad.

Lõikeriistad

Kasutage alati tehtava töö jaoks sobivat lõikeriista.

Hooldusjuhised

- Kontrollige enne töö alustamist seadme korrasolekut, eelkõige lõikeriista ja kaitseeadiste seisukorda.
- Lülitage mootor välja ja eemaldage akukassett enne, kui teete hooldustöid, vahetate lõikeriistu või puhastate seadet või lõikeriista.
- Paigutage kasutuses mitteolev seade hoiule kuiva ja kõrgel asuvasse või lukustatud kohta, millele lapsed ligi ei pääse. Puhastage ja hooldage enne hoiulepanekut.

HOIDKE JUHEND ALLES.

⚠️ HOIATUS: ÄRGE UNUSTAGE järgida toote ohutusnõudeid mugavuse või toote (korduskasutamise) saavutamise hea tundmise tõttu. VALE KASUTUS või kasutusjuhendi ohutuseeskirjade eiramine võib põhjustada tervisekahjustusi.

Juhtmeta hekitrimmeri ohutusohiatused

1. Hoidke kõik kehaosad terast eemal. Ärge eemaldage lõikematerjali ega hoidke sellest kinni, kui lõiketerad liiguvad. Terad jätkavad liikumist ka pärast lülitit väljalülitamist. Üks hetk tähelepanematust hekilõikuriga töötamisel võib põhjustada tõsiseid vigastusi.
2. Kandke hekilõikurit käepidemest, peatatud teraga, ja olge tähelepanelik, et te ei läheks ühegi toitelüliti vastu. Hekilõikuri õigesti kandmine vähendab tahtmatut käivitumist ja sellest tulenevate, terade põhjustatud vigastuste ohtu.
3. Hekilõikuri transportimise või hoialepaneku ajaks peab alati olema paigaldatud terakate. Hekilõikuri õigesti käsitsemine vähendab enda teradega vigastamise ohtu.
4. Ummistunud materjali eemaldamisel või seadme hooldamisel veenduge, et kõik toitelülitid oleks välja lülitatud ja aku eemaldatud või lahti ühendatud. Ummistunud materjali eemaldamisel või hooldamisel võib hekilõikuri ootamatu käivitamine põhjustada tõsiseid kehavigastusi.
5. Hoidke hekilõikurit ainult isoleeritud haardepindadest, sest tera võib sattuda varjatud juhtmetega kokkupuutesse. Terade kokkupuude elektrijuhtmega võib pingestada hekilõikuri avatud metallosad, mille tulemusel võib käitaja saada elektrilöögi.
6. Hoidke kõik toitejuhtmed ja -kaablid lõikealast eemal. Töötamise ajal võivad juhtmed või kaablid olla varjatult põõsastikus ja lõiketera võib need kogemata läbi lõigata.
7. Ärge kasutage hekilõikurit halva ilmaga, eriti kui valitseb äikeseoht. See vähendab välgulöögiohtu.

Lisaohutusnõuded

Ettevalmistus

1. Enne tööriista kasutamist kontrollige hekke ja põõsaid seoses võõrkehadega, näiteks traataiad või varjatud juhtmed.
2. Lastel ja alla 18-aastastel noortel on tööriista kasutamine keelatud. Üle 16-aastased noored võivad olla nimetatud piirangust vabastatud, kui nad läbivad asjakohase väljaõppe asjatundja juhendamisel.
3. Algajale peaks kogunud kasutaja õpetama, kuidas tööriista kasutada.
4. Tööriista kasutavad inimesed peavad olema heas füüsilises vormis. Teie tähelepanuvõime väheneb, kui olete väsinud. Olge eriti ettevaatlik tööpäeva lõpul. Töötage alati rahulikult ja ettevaatlikult. Kasutaja on vastutav kõigi kolmandatele osalistele põhjustatud kahjude eest.
5. Ärge kunagi töötage alkoholi, uimastite ega ravimite mõju all.
6. Tugevast nahast töökindad on osa põhivarustusest ja neid tuleb tööriista kasutamisel alati kanda. Samuti kandke vastupidavaid libisemisvastase tallaga jalanõusid.

7. Enne tööle asumist veenduge, et tööriist oleks heas töökorras ja turvaline. Veenduge, et kaitsmed oleks korralikult kinnitatud. Tööriista ei tohi kasutada, kui see pole täielikult kokku pandud.

Kasutamine

1. Töötades hoidke tööriista kindlalt käes.
2. Tööriist on ette nähtud maapinnal kasutamiseks. Ärge kasutage tööriista redelitel ega muudel ebastabiilsetel alustel.
3. Ärge kandke tööriista käsitsemisel samal ajal mitmeid rakmeid ja/või õlarihma.
4. OHT - Hoidke käed terast eemal. Teraga kokkupuutumine võib põhjustada raske kehavigastuse.
5. Ärge kasutage tööriista vihmagaga ega märgades ja väga niisketes tingimustes. Elektrimootor pole veekindel.
6. Enne tööle asumist veenduge, et teil oleks kindel jalgealune.
7. Ärge käitage tööriista tarbetult koormamata olekus.
8. Kui lõiketerad satuvad kontakti aia või mõne muu kõva objektiga, lülitage tööriist kohe välja ja eemaldage akukassett. Kontrollige, kas lõiketerad on kahjustatud, kui on, siis vahetage need kohe.
9. Lülitage tööriist enne lõiketerade kontrollimist, tõrgete eemaldamist või lõiketeradesse kiilunud materjali eemaldamist alati välja ja eemaldage akukassett.
10. Ärge kunagi suunake lõiketerasid enda ega teiste poole.
11. Kui terad ei liigu, kuna nende vahele on töö ajal jäänud võõrkehad, lülitage tööriist välja, eemaldage akukassett ja seejärel eemaldage võõrkehad sobivate tööriistadega (nt näpitsatega). Võõrkehade käsitsi eemaldamisel võib käsi saada vigastusi, kui terad võõrkehade eemaldamisel liiguvad.
12. Vältige ohtlikke piirkondi. Ärge kasutage seadet niisketes või märgades kohtades ega jätke seda vihma kätte. Seadmesse sisse sattunud vesi suurendab elektrilöögiohtu.

Hooldus ja hoiundamine

1. Lülitage tööriist välja ja eemaldage akukassett enne mis tahes hooldustoimingute tegemist.
2. Tööriista asukoha muutmisel, ka töötamise ajal, eemaldage alati akukassett ja paigaldage lõiketeradega terakate. Ärge kunagi transportige tööriista, kui lõiketerad liiguvad. Ärge kunagi võtke käega lõiketeradest kinni.
3. Enne tööriista pikemaks ajaks hoialepanekut ja pärast iga kasutust puhastage seda, eriti lõiketerasid. Õlitage kergelt lõiketerasid ja pange neile kate peale.
4. Hoidke tööriista paigaldatud terakattega kuivas ruumis. Hoidke seda lastele kättesaamatus kohas. Ärge kunagi hoidke tööriista õues.
5. Ärge visake kasutatud akut (akusid) tulle. Element võib plahvatada. Kasutatud akude käitlemise võimalikud erinõuded leiate vastavasisulistest kohalikest eeskirjadest.

6. Akut (akusid) ei tohi avada ega vigastada. Väljavalgunud elektrolüüt on söövitava toimega ning võib kahjustada silmi ja nahka. See võib osutada allaneelamisel mürgiseks.
7. Ärge laadige akut vihma käes ega märjas keskkonnas.

HOIDKE JUHEND ALLES.

⚠HOIATUS: ÄRGE UNUSTAGE järgida toote ohutusnõudeid mugavuse või toote (korduskasutamise saavutatud) hea tundmise tõttu. **VALE KASUTUS** või kasutusjuhendi ohutuseeskirjade eiramine võib põhjustada tervisekahjustusi.

Akukassetiga seotud olulised ohutusjuhised

1. Enne akukasseti kasutamist lugege (1) akulaadija, (2) akut ja (3) seadmel olevad juhtnõupid ja hoiatused läbi.
2. Ärge võtke akukassetti lahti ega muutke seda. See võib põhjustada tulekahju, liigset kuumust või plahvatusi.
3. Kui tööaeg järsult lüheneb, siis lõpetage kohe kasutamine. Edasise kasutamise tulemuseks võib olla ülekuumenemisoht, võimalikud põletused või isegi plahvatus.
4. Kui elektrolüüti satub silma, siis loputage silma puhta veega ja pöörduge koheselt arsti poole. Selline õnnetus võib põhjustada pimedaksjäämist.
5. Ärge tekitage akukassetis lühis:
 - (1) Ärge puutuge klemme elektrijuhtidega.
 - (2) Ärge hoidke akukassetti tööriistakastis koos metallesemetega, nagu naelad, mündid jne.
 - (3) Ärge tehke akukassetti märjaks ega jätke seda vihma kätte.

Aku lühis võib põhjustada tugevat elektrivoolu, ülekuumenemist, põletusi ning ka seadet tõsiselt kahjustada.

6. Ärge hoidke ega kasutage tööriista ja akukassetti kohtades, kus temperatuur võib tõusta üle 50 °C (122 °F).
7. Ärge põletage akukassetti isegi siis, kui see on saanud tõsiselt vigastada või on täiesti kuldunud. Akukassett võib tules plahvatada.
8. Ärge naelutage, löigake, muljuge, visake akukassetti ega laske sel kukkuda, samuti ärge lööge selle pihta kõva esemega. Selline tegevus võib põhjustada tulekahju, liigset kuumust või plahvatusi.
9. Ärge kasutage kahjustatud akut.
10. Sisalduvatele liitium-ioonakudele võivad kohalduda ohtlike kaupade õigusaktide nõuded. Kaubanduslikul transportimisel, näiteks kolmandate poolte või transpordiettevõtete poolt, tuleb järgida pakendil ja siltidel toodud erinõudeid. Transportimiseks ettevalmistamisel on vajalik pidada nõu ohtliku materjali eksperdigaga. Samuti tuleb järgida võimalike riiklike regulatsioonide üksikasjalikumaid nõudeid. Katke teibiga või varjake avatud kontaktid ja pakendage aku selliselt, et see ei saaks pakendis liikuda.

11. Kasutuskõlbmatuks muutunud akukasseti kõrvaldamiseks eemaldage see tööriistast ja viige selleks ette nähtud kohta. Järgige kasutuskõlbmatuks muutunud aku kõrvaldamisel kohalikke eeskirju.
12. Kasutage akusid ainult Makita heaks kiidetud toodetega. Akude paigaldamine selleks mitte ettenähtud toodetele võib põhjustada süttimist, ülemäärast kuumust, plahvatamist või elektrolüüdi lekkimist.
13. Kui tööriista ei kasutata pika ajaperioodi jooksul, tuleb aku tööriistast eemaldada.
14. Kasutamise ajal ja pärast kasutamist võib akukassett kuumeneda, mis võib põhjustada põletusi või madala temperatuuri põletusi. Olge kuuma akukasseti kandmisel ettevaatlik.
15. Ärge puudutage tööriista klemmi kohe pärast kasutamist, sest see võib olla kuum ja põhjustada põletusi.
16. Hoidke akukasseti klemmid, avad ja sooned tükikestest, tolmust ja mullast puhtad. Muidu võib tööriist või akukassett halvasti töötada või puruneda.
17. Kui tööriista ei kannata kasutamist kõrgepingeliinide lähedal, ärge kasutage akukassetti kõrgepingeliinide lähedal. Muidu võib tööriist või akukassett puruneda või sellel tõrge tekkida.
18. Hoidke akut lastele kättesaamatult.

HOIDKE JUHEND ALLES.

⚠ETTEVAATUST: Kasutage ainult Makita originaalakusid. Mitte Makita originaalakude või muudetud akude kasutamine võib põhjustada akude süttimise, kehavigastuse ja kahjustuse. Samuti muudab see kehtetuks Makita tööriista ja laadija Makita garantii.

Vihjeid aku maksimaalse kasutusaja tagamise kohta

1. Laadige akukassetti enne selle täielikku tühjenemist. Kui märkate, et tööriist töötab väiksema võimsusega, peatage töö ja laadige akukassetti.
2. Ärge laadige täielikult laetud akukassetti. Ülelaadimine lühendab akude kasutusiga.
3. Laadige akukassetti toatemperatuuril 10 °C - 40 °C. Enne laadimist laske kuumenenud akukassetil maha jahtuda.
4. Kui te ei kasuta parajasti akukassetti, eemaldage see tööriistast või laadurist.
5. Kui te ei kasuta akukassetti kauem kui kuus kuud, laadige see.

FUNKSIONAALNE KIRJELDUS

⚠ETTEVAATUST: Kandke alati hoolt selle eest, et tööriist oleks enne reguleerimist ja kontrollimist välja lülitatud ja akukassett eemaldatud.

Tööriista kasutamine juhtmeta hekitrimmerina

Seda tööriista saab kasutada juhtmeta hekitrimmerina, kui paigaldada sellele hekitrimmeri lõiketerad.

Akukasseti paigaldamine või eemaldamine

⚠ETTEVAATUST: Lülitage tööriist alati enne akukasseti paigaldamist või eemaldamist välja.

⚠ETTEVAATUST: Akukasseti paigaldamisel või eemaldamisel tuleb tööriista ja akukassetti kindlalt paigal hoida. Kui tööriista ja akukassetti ei hoita kindlalt paigal, võivad need käest libiseda ning kahjustada tööriista ja akukassetti või põhjustada kehavigastusi.

► **Joon.1:** 1. Punane näidik 2. Nupp 3. Akukassett

Akukasseti eemaldamiseks libistage see tööriista küljest lahti, vajutades kasseti esiküljel paiknevat nuppu alla.

Akukasseti paigaldamiseks joondage akukasseti keel korpuse soonega ja libistage kassett oma kohale.

Sisestage see tervenisti, kuni see lukustub klõpsuga oma kohale. Kui näete joonisel näidatud punast näidikut, pole see täielikult lukustunud.

⚠ETTEVAATUST: Paigaldage akukassett alati täies ulatuses nii, et punast osa ei jääks näha. Muidu võib adapter juhuslikult tööriistast välja kukkuda ning põhjustada teile või läheduses viibivatele isikutele vigastusi.













⚠ETTEVAATUST: Ärge rakendage akukasseti paigaldamisel jõudu. Kui kassett ei lähe kergesti sisse, pole see õigesti paigaldatud.








Aku jääkmahutavuse näit

Ainult näidikutega akukassettidele

► **Joon.2:** 1. Märkulambid 2. Kontrollimise nupp

Akukasseti järelejäänud mahutavuse kontrollimiseks vajutage kontrollimise nuppu. Märkulambid süttivad mõneks sekundiks.

Märkulambid			Jääkmahutavus
 Põleb	 Ei põle	 Vilgub	
			75 - 100%
			50 - 75%
			25 - 50%
			0 - 25%
			Laadige akut.

Märkulambid			Jääkmahutavus
 Põleb	 Ei põle	 Vilgub	
			Akul võib olla tõrge.
			

MÄRKUS: Näidatud mahutavus võib veidi erineda tegelikust mahutavusest olenevalt kasutustingimustest ja ümbritseva keskkonna temperatuurist.

MÄRKUS: Esimene (taga vasakul asuv) märkutuli vilgub, kui akukaitsesüsteem töötab.

Tööriista/aku kaitsesüsteem

Tööriist on varustatud tööriista või aku kaitsesüsteemiga. Süsteem lülitab mootori automaatselt välja, et pikendada tööriista ja aku tööiga. Tööriist seiskub käitamise ajal automaatselt, kui tööriista või aku kohta kehtib üks järgmistest tingimustest.

Ülekoormuskaitse

Kui aku kasutamise käigus hakkab see tarbima ebaharilikult palju voolu, peatub tööriist automaatselt. Sellisel juhul lülitage tööriist välja ja lõpetage tööriista ülekoormuse põhjustanud kasutus. Pärast seda käivitage tööriist uuesti.

Ülekuumenemiskaitse

Aku ülekuumenemisel seiskub tööriist automaatselt. Laske sellisel juhul tööriistal ja akul enne tööriista uuesti sisselülitamist jahtuda.

Ülelaadimiskaitse

Kui aku laetuse tase ei ole piisav, seiskub tööriist automaatselt. Sellisel juhul eemaldage aku seadmest ja laadige täis.

Lüliti funktsioneerimine

⚠HOIATUS: Kontrollige alati enne akukasseti tööriista külge paigaldamist, kas lüliti päästik funktsioneerib nõuetekohaselt ja liigub lahtilaskmisel tagasi väljalülitatud asendisse.

⚠HOIATUS: Teie ohutuse tagamiseks on tööriist varustatud lukust avamise nupuga, mis hoiab ära tööriista ettekatvemat käivitamise. Ärge kunagi kasutage tööriista, kui see käivitub lüliti päästiku vajutamisel ilma lukust avamise nuppu vajutamata. Pöörduge remontimiseks kohalikku Makita hoolduskeskusse.

⚠HOIATUS: Ärge kunagi inaktiveerige lukustusfunktsiooni ega teipige kinni lukust avamise nuppu.

TÄHELEPANU: Ärge vajutage jõuga lüliti päästikut ilma lukust avamise nuppu vajutamata. Lüliti võib puruneda.

► **Joon.3:** 1. Lüliti päästik 2. Lukust avamise nupp

Lüliti päästiku juhusliku vajutamise vältimiseks on tööriistal lahtilukustusnupp.

Tööriista käivitamiseks vajutage lukust avamise nuppu alla ja vajutage lüliti päästikut. Seiskamiseks vabastage lüliti päästik. Lukust avamise nuppu võib vajutada nii paremalt kui ka vasakult.

Märgutuli

Märgutuli vilgub või süttib, kui aku jäämahtuvus on madal või tühi. Tööriista ülekoormamisel süttib samuti märgutuli.

► **Joon.4:** 1. Märgutuli

Tule olek ja vajalik tegevus

Märgutuli	Olek	Vajalik tegevus
Tuli vilgub punaselt.	Aku jäämahtuvus on madal.	Laadige akut.
Tuli süttib punaselt. *	Tööriist on seisunud, sest aku jäämahtuvus on tühi.	Laadige akut.
	Tööriist on ülekoormuse tõttu seisunud.	Lülitage tööriist välja.

*Aeg, millal märgutuli hakkab vilkuma, on olemas tööala temperatuurist ja akukasseti seisundist.

Lõikekõrguse reguleerimine (muru lõikamiseks)

Lisatarvik

⚠ETTEVAATUST: Lõikekõrguse reguleerimisel kinnitage tingimata terakate ja olge ettevaatlik, et teie sõrmed ei jääks tööriista ja murukoguja vahele.

Lõikekõrgust saab määrata kolmele tasemele (15 mm, 20 mm ja 25 mm), muutes selleks murukoguja fikseeritud asendit. Lõikekõrgus ilma murukogujata on ligikaudu 10 mm.

1. Lükake murukogujat tööriista esiosa poole.

► **Joon.5:** 1. Murukoguja

2. Muutke murukoguja fikseeritud asendit, liigutades seda noolega näidatud suunas.

► **Joon.6**

MÄRKUS: Lõikekõrguse väärtus on suuniseks. Tegelik lõikekõrgus võib erineda, olenedes muru seisukorrast ja maapinnast.

MÄRKUS: Tehke prooviniitmine vähem nähtavas kohas, et leida sobiv kõrgus.

KOKKUPANEK

⚠ETTEVAATUST: Kandke alati hoolt selle eest, et tööriist oleks enne igasuguseid hooldustööd välja lülitatud ja akukassett eemaldatud.

⚠ETTEVAATUST: Lõiketerade asendamisel kandke alati kindaid ja kinnitage terakate, et käed ja nägu ei satuks teraga otsesesse kontakti.

TÄHELEPANU: Lõiketerade asendamisel ärge pühkige hammasrattalt ega vändalt mäaret maha.

Terakatte paigaldamine ja eemaldamine

⚠ETTEVAATUST: Olge terakatte paigaldamisel ja eemaldamisel ettevaatlik, et te ei puutuks vastu terasid.

Terakatte eemaldamisel tõmmake seda pisut ja lükake siis küljele. Terakatte paigaldamiseks tehke samad toimingud vastupidises järjekorras.

► **Joon.7**

Murukoguja paigaldamine ja eemaldamine

Lisatarvik

⚠ETTEVAATUST: Murukoguja paigaldamisel ja eemaldamisel kinnitage tingimata terakate ja olge ettevaatlik, et teie sõrmed ei jääks tööriista ja murukoguja vahele.

Murukoguja paigaldamine

1. Haakige murukoguja hing tööriista soone külge.

► **Joon.8:** 1. Hing 2. Murukoguja

2. Joondate murukoguja eenduvad osad tööriistal olevate soontega, lükates murukogujat tööriista esiosa poole ja liigutades seda noolega näidatud suunas.

► **Joon.9**

TÄHELEPANU: Pärast eenduvate osade joondamist tööriista soontega ärge kinnitage murukoguja hinge tööriista külge jõuga.

Murukoguja eemaldamine

1. Vabastage murukoguja eenduvad osad tööriistal olevatest soontest ja lükake samal ajal murukogujat tööriista esiosa poole.

► **Joon.10:** 1. Murukoguja

2. Vabastage murukoguja hing tööriista küljest.


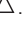
Murulõikuri lõiketerade paigaldamine ja eemaldamine

TÄHELEPANU: Kui lõiketeradest erinevad osad (näiteks vânt) on kulunud, küsige Makita ametlikust teeninduskeskusest varuosi või laske neil teha parandustööd.

Lõiketerade eemaldamine

1. Eemaldage murukoguja, kui see on paigaldatud. Asetage tööriist tagurpidi.

► **Joon.11**

2. Vajutage lukustushooba ja samal ajal pöörake aluskatet vastupäeva, kuni aluskattel olev sümbol  on joondatud lukustushooval oleva sümboliga .

► **Joon.12:** 1. Aluskate 2. Lukustushoob





3. Eemaldage aluskate, lõiketerad ja vânt.

► **Joon.13:** 1. Aluskate 2. Lõiketerad 3. Vânt

Lõiketerade paigaldamine

1. Valmistage ette vänt, aluskate ja uued lõiketerad.
► **Joon.14:** 1. Vänt 2. Aluskate 3. Lõiketerad
2. Eemaldage terakate vanadelt lõiketeradelt ja kinnitage see siis uutele.
► **Joon.15:** 1. Terakate
3. Reguleerige kolme tihvti, et need joonduksid joondusjoonega.
► **Joon.16:** 1. Joondusjoon
4. Kandke väike kogus määret vända äärtele. Kinnitage vänt tihvtidele nii, et väiksed ja suured ringid oleksid üles suunatud.
► **Joon.17:** 1. Vänt
5. Reguleerige terasid ja juhtplaati, et auk juhtplaadis ja kaks eenduvat osa teradel oleksid ühel joonel.
► **Joon.18:** 1. Juhtplaat
6. Pöörake lõiketerad tagurpidi ja paigaldage nii, et tööriista tihvtid läheks juhtplaadis olevasse auku. Veenduge, et lõiketerad oleksid kindlalt kinni.
► **Joon.19:** 1. Juhtplaat

MÄRKUS: Terakatte pisut ettepoole nihutamine muudab lõiketerade paigaldamise lihtsamaks.

7. Paigaldage aluskate nii, et sellel olev sümbol  oleks joondatud lukustushooval oleva sümboliga .
► **Joon.20:** 1. Aluskate 2. Lukustushoob
8. Vajutage aluskatet ja samal ajal pöörake aluskatet päripäeva, kuni aluskattel olev sümbol  on joondatud lukustushooval oleva sümboliga .
► **Joon.21:** 1. Aluskate 2. Lukustushoob
9. Veenduge, et lukustushoob läheks aluskatte soonde.
► **Joon.22:** 1. Lukustushoob

⚠ETTEVAATUST: Ärge kunagi kasutage tööriista aluskatet paigaldamata.

10. Eemaldage terakate ja lülitage tööriist seestjärele sisse, et kontrollida, kas see töötab korralikult.



TÄHELEPANU: Kui lõiketerad ei tööta korralikult, ei haaku terad vändaga õigesti. Eemaldage terad ja paigaldage need uuesti.

Hekitrimmeri lõiketerade paigaldamine ja eemaldamine

⚠ETTEVAATUST: Paigaldage enne lõiketerade eemaldamist või paigaldamist terakate.

TÄHELEPANU: Kui lõiketeradest erinevad osad (näiteks vänt) on kulunud, küsige Makita ametlikust teeninduskeskusest varuosi või laske neil teha parandustööd.

Lõiketerade eemaldamine

1. Asetage tööriist tagurpidi.
► **Joon.23**
2. Vajutage lukustushooba ja samal ajal pöörake aluskatet vastupäeva, kuni aluskattel olev sümbol  on joondatud lukustushooval oleva sümboliga .
► **Joon.24:** 1. Lukustushoob 2. Aluskate
3. Eemaldage aluskate.
► **Joon.25:** 1. Aluskate
4. Keerake kruikeerajaga kaks kruvi lahti ja eemaldage lõiketerad.
► **Joon.26:** 1. Kruvid

MÄRKUS: Lõiketerasid saab eemaldada kruve eemaldamata.

5. Eemaldage lõiketeradelt vänt.
► **Joon.27:** 1. Vänt





MÄRKUS: Vänt võib jääda tööriista.

MÄRKUS: Kinnitage terakate ja hoiuümbris eemaldatud lõiketeradele ning pange terad hoiule.

Lõiketerade paigaldamine

1. Valmistage ette vänt, aluskate ja uued lõiketerad.
► **Joon.28:** 1. Vänt 2. Aluskate 3. Lõiketerad
2. Kinnitage terakate lõiketeradele.
► **Joon.29:** 1. Terakate
3. Reguleerige kolme tihvti, et need joonduksid joondusjoonega.
► **Joon.30:** 1. Joondusjoon
4. Kandke väike kogus määret vända äärtele. Kinnitage vänt tihvtidele nii, et selle väiksed ja suured ringid oleksid alla suunatud.
► **Joon.31:** 1. Vänt
5. Liigutage lõiketerasid, et juhtplaadis olev auk asuks teradel olevate ringide keskel.
► **Joon.32:** 1. Juhtplaat
6. Pöörake lõiketerad tagurpidi ja paigaldage nii, et tööriista tihvt läheks lõiketerades olevasse auku. Sisestage juhtplaadi haarats tööriistal olevasse soonde. Veenduge, et lõiketerad oleksid kindlalt kinni.
► **Joon.33:** 1. Haarats 2. Juhtplaat

MÄRKUS: Terakatte pisut ettepoole nihutamine muudab lõiketerade paigaldamise lihtsamaks.

7. Pingutage kaht kruvi korralikult.
► **Joon.34:** 1. Kruvid
8. Paigaldage aluskate nii, et sellel olev sümbol  oleks joondatud lukustushooval oleva sümboliga .
► **Joon.35:** 1. Lukustushoob 2. Aluskate
9. Vajutage aluskatet ja samal ajal pöörake aluskatet päripäeva, kuni aluskattel olev sümbol  on joondatud lukustushooval oleva sümboliga .
► **Joon.36:** 1. Aluskate
10. Veenduge, et lukustushoob läheks aluskatte soonde.
► **Joon.37:** 1. Lukustushoob

⚠ETTEVAATUST: Ärge kunagi kasutage tööriista aluskatet paigaldamata.

11. Eemaldage terakate ja lülitage töörist sisse, et kontrollida, kas see töötab korralikult.

TÄHELEPANU: Kui lõiketerad ei tööta korralikult, ei haaku terad vändaga õigesti. Eemaldage terad ja paigaldage need uuesti.

Laastukoguja paigaldamine ja eemaldamine

Lisatarvik

⚠ETTEVAATUST: Laastukoguja paigaldamisel ja eemaldamisel kandke alati kindaid ja kinnitage terakate, et käed ja nägu ei satuks otsesesse kontakti teraga.

Laastukoguja kogub kõrvaleheidetud lehti ja muudab hilisema puhastamise oluliselt lihtsamaks. Selle saab paigaldada tööriista ükskõik kummale küljele.

Laastukoguja paigaldamiseks vajutage seda vastu lõiketerasid nii, et konksud läheksid lõiketerade aukudesse.

► **Joon.38:** 1. Konksud 2. Augud

Laastukoguja eemaldamiseks vajutage mõlemal küljel hoobadele, et konksud vabastada.

► **Joon.39:** 1. Hoovad

TÄHELEPANU: Ärge kunagi proovige laastukogujat jõuga eemaldada, kui selle konksud on lukustatud terade aukudesse.

TÖÖRIISTA KASUTAMINE

⚠HOIATUS: Puhastage niidetav ala enne niitmist okstest ja kividest. Lisaks puhastage niidetav ala enne niitmist ka umbrohust.

► **Joon.40**

⚠HOIATUS: Hoidke käed teradest eemal.

⚠ETTEVAATUST: Vältige nii palju kui võimalik tööriista kasutamist väga kuuma ilmaga. Pidage tööriista kasutamisel silmas oma füüsilist vormi.

Niitmine (muru lõikamine)

Lülitage pärast lõikekõrguse reguleerimist töörist sisse ja hoidke seda nii, et tööriista alumine osa toetuks maha. Liigutage tööriista ettevaatlikult edasi.

► **Joon.41**

Kõnniteeserva, aia või puude ümber lõigates liigutage tööriista nende suunas pikisuunaliselt. Olge ettevaatlik, et terad nendega kokku ei puutuks.

► **Joon.42**

Väikese puu võrsete või lehtede lõikamisel lõigake vähehaaval.

► **Joon.43**

Lõigake suured oksad enne selle tööriista kasutamist oksalõikuriga soovitud kõrguseks.

TÄHELEPANU: Ärge kasutage tööriista nii, et selle mootor jääb seisma või töötab väga aeglaselt.

TÄHELEPANU: Ärge üritage lõigata jämedaid oksid.

TÄHELEPANU: Ärge laske lõiketeradel puutuda töö käigus vastu maad. See nõrstab terasid, mis omakorda halvendab tööriista jõudlust.

TÄHELEPANU: Ärge lõigake märga muru ega väikeste puude lehti.

Kõrge muru lõikamine

Ärge püüdke lõigata kõrget muru korraga. Selle asemel lõigake muru mitmes etapis. Jätke lõikamiste vahele üks või kaks päeva, et muru muutuks ühtlaselt lühikeseks.

► **Joon.44**

MÄRKUS: Kõrge rohu korraga lühikeseks lõikamine võib põhjustada muru kuivamist.

Lõikamine (hektrimmer)

⚠ETTEVAATUST: Olge lõigates ettevaatlik, et trimmer ei satuks kontakti metalliaia ega mõne muu kõva esemega. Terad võivad puruneda ja põhjustada kehavigastusi.

⚠ETTEVAATUST: Olge ettevaatlik, et lõiketerad ei puutuks vastu maad. Tööriist võib tagasi lüüa ja põhjustada kehavigastusi.

⚠ETTEVAATUST: Liigne upitamine hektrimmeriga, eriti redelilt, on väga ohtlik. Ärge töötag, kui seisate kõikuval ega ebakindlal pinnal.

TÄHELEPANU: Ärge püüdke tööriistaga lõigata jämedamaid oksid kui 10 mm. Lõigake enne tööriista kasutamist oksad oksalõikuriga lõikekõrgusest kuni 10 cm madalamaks.

► **Joon.45:** (1) Lõikekõrgus (2) 10 cm

TÄHELEPANU: Ärge lõigake maha surnud puud ega sarnaseid kõvasid asju. See võib kahjustada tööriista.

TÄHELEPANU: Rohtu ega umbrohtu ei tohi lõigata lõiketeradega. Terad võivad rohtu või umbrohtu takerduda.

Hoidke tööriista ühe käega, vajutage lüliti päästikult samal ajal lukust avamise nupuga ja liigutage tööriista edasi.

► **Joon.46**

Tavakasutuseks kallutage terasid lõikesuunas ning liigutage tööriista rahulikult ja aeglaselt kiirusega 3 kuni 4 sekundit meetri kohta.

► **Joon.47**

Kui seote nõõri soovitud kõrgusele ja lõikate mööda seda, aitab see lõigata hekipealset ühtlaselt.

► **Joon.48**

Kui laastukoguja on teradele kinnitatud, kogub see kõrvaleheidetud lehti ja muudab hilisema puhastamise oluliselt lihtsamaks.

Heki ühtlaselt lõikamiseks küljelt lõigake seda alt üles.

► **Joon.49**

Kui soovite lõigata ümarat kuju (pukspuu, rododendron), lõigake kauni tulemise saamiseks alt üles.

► **Joon.50**

HOOLDUS

⚠ETTEVAATUST: Enne kontroll- või hooldustoimingute tegemist kandke alati hoolt selle eest, et tööriist oleks välja lülitatud ja akukassett kor-puse küljest eemaldatud.

Toote OHUTUSE ja TÖÖKINDLUSE tagamiseks tuleb vajalikud remonttööd ning muud hooldus- ja reguleerimistööd lasta teha Makita volitatud teeninduskeskustes või tehase teeninduskeskustes. Alati tuleb kasutada Makita varuosi.

Tööriista puhastamine

Tööriista puhastamiseks pühkige sellelt kuiva või seebi-vette kastetud ja välja väänatud lapiga tolm.

TÄHELEPANU: Ärge kunagi kasutage bensiini, vedelidit, alkoholi ega midagi muud sarnast. Selle tulemuseks võib olla luitumine, deformatsioon või pragunemine.

Terade hooldus

Enne tööle asumist või töö käigus kord tunnis kandke teradele väikese viskoossusega õli (masinaõli või pihustatav määrdeõli).

► **Joon.51**

► **Joon.52**

Pärast kasutamist eemaldage terade mõlemalt küljelt traatharjaga tolm, pühkige see lapiga ära ja seejärel kandke teradele väikese viskoossusega õli (masinaõli või pihustatav määrdeõli).

► **Joon.53**

► **Joon.54**

TÄHELEPANU: Ärge peske terasid vees. Eiramise korral võib tööriist roostetada või vigastada.

TÄHELEPANU: Mustus ja korrosioon põhjustavad terade ülemäärast hõõrdumist ning lühendavad tööaega aku laadimiskorra kohta.

Hoiustamine

Tööriista all oleva konksuauguga on mugav riputada tööriista seinale naela või kruvi otsa.

Kinnitage terakate lõiketeradele nii, et terad ei paistaks välja. Hoidke tööriista lastele kättesaamatus kohas.

Hoidke tööriista kohas, kuhu ei pääse niiskust ega vihma.

► **Joon.55:** 1. Auk

► **Joon.56:** 1. Auk

VALIKULISED TARVIKUD

⚠ETTEVAATUST: Neid tarvikuid ja lisaseadiseid on soovitatav kasutada koos Makita tööriistaga, mille kasutamist selles kasutusjuhendis kirjeldatakse. Muude tarvikute ja lisaseadiste kasutamisega kaasneb vigastada saamise oht. Kasutage tarvikuid ja lisaseadiseid ainult otstarbekohaselt.

Saate vajaduse korral kohalikust Makita teeninduskeskusest lisateavet nende tarvikute kohta.

- Lõiketera koost (muru lõikamiseks)
- Lõiketera kate (muru lõikamiseks)
- Murukoguja (muru lõikamiseks)
- Pika käepideme lisaseadis (murulõikurile)
- Lõiketera koost (heki lõikamiseks)
- Lõiketera kate (heki lõikamiseks)
- Laastukoguja (heki lõikamiseks)
- Hoiuümbris
- Makita algupärane aku ja laadija

MÄRKUS: Mõned nimekirjas loetletud tarvikud võivad kuuluda standardvarustusse ning need on lisatud tööriista pakendisse. Need võivad riigiti erineda.

ТЕХНИЧЕСКИЕ ХАРАКТЕРИСТИКИ

Модель:		DUM111
Ширина резания		110 мм
Ходов в минуту		2 500 мин ⁻¹
Сменное лезвие режущих ножиц, номер детали	Ножницы для травы	191N23-4, 195267-4
	Электрический кусторез	191N24-2, 198408-1
Размеры (Д x Ш x В)		330 мм x 120 мм x 130 мм
Номинальное напряжение		18 В пост. тока
Масса нетто		1,4 кг - 1,8 кг

- Благодаря нашей постоянно действующей программе исследований и разработок указанные здесь технические характеристики могут быть изменены без предварительного уведомления.
- Технические характеристики и аккумуляторный блок могут отличаться в зависимости от страны.
- Масса может отличаться в зависимости от дополнительного оборудования. Обратите внимание, что блок аккумулятора также считается дополнительным оборудованием. В таблице представлены комбинации с наибольшим и наименьшим весом в соответствии с процедурой EPTA 01/2014.

Подходящий блок аккумулятора и зарядное устройство

Блок аккумулятора	BL1815N / BL1820B / BL1830B / BL1840B / BL1850B / BL1860B
Зарядное устройство	DC18RC / DC18RD / DC18RE / DC18SD / DC18SE / DC18SF / DC18SH

- В зависимости от региона проживания некоторые блоки аккумуляторов и зарядные устройства, перечисленные выше, могут быть недоступны.

⚠ ОСТОРОЖНО: Используйте только перечисленные выше блоки аккумуляторов и зарядные устройства. Использование других блоков аккумуляторов и зарядных устройств может привести к травме и/или пожару.





Рекомендованный источник электропитания с проводным подключением





Портативный блок питания	PDC01
--------------------------	-------

- В некоторых регионах определенные модели перечисленных выше источников электропитания с проводным подключением могут быть недоступны.
- Перед началом использования источника электропитания с проводным подключением изучите инструкцию и предупреждающие надписи на нем.

Символы

Ниже приведены символы, которые могут использоваться для обозначения оборудования. Перед использованием убедитесь в том, что вы понимаете их значение.

	Обратите особое внимание.
	Прочитайте руководство по эксплуатации.
	Опасность! Возможен разлет твердых предметов.
	Не допускайте посторонних к месту работ.

	Режущие детали продолжают работать после выключения электромотора.
	Бережч от влаги.
	Надевайте защитные очки.
	ОПАСНО! Держите руки на безопасном расстоянии от режущего диска.



Только для стран ЕС

В связи с наличием в оборудовании опасных компонентов отходы электрического и электронного оборудования, аккумуляторы и батареи могут оказывать негативное влияние на окружающую среду и здоровье человека.

Не выбрасывайте электрические и электронные устройства или батареи вместе с бытовыми отходами!

В соответствии с директивой ЕС по отходам электрического и электронного оборудования, по аккумуляторам, батареям и отходам аккумуляторов и батарей, а также в соответствии с ее адаптацией к национальному законодательству, отходы электрического оборудования, батареи и аккумуляторы следует хранить отдельно и доставлять на пункт раздельного сбора коммунальных отходов, работающий с соблюдением правил охраны окружающей среды. Это обозначено символом в виде перечеркнутого мусорного контейнера на колесах, нанесенным на оборудование.



Гарантированный уровень звуковой мощности в соответствии с Директивой ЕС по шумам вне помещений.



Уровень звуковой мощности в соответствии с Регламентом Австралии (Новый Южный Уэльс) по контролю за шумом

Назначение

Данный инструмент предназначен для обрезки краев газонов или веток кустарника.

Шум

Типичный уровень взвешенного звукового давления (A), измеренный в соответствии с EN50636-2-94:

DUM111 с установленным режущим ножом для газонных ножиц

Уровень звукового давления (L_{pA}): 70 дБ (A)
Погрешность (K): 1,5 дБ (A)

Уровень шума при выполнении работ может превышать 80 дБ (A).

Типичный уровень взвешенного звукового давления (A), измеренный в соответствии с EN62841-4-2:

DUM111 с установленным режущим ножом для подрезки кустарника

Уровень звукового давления (L_{pA}): 70 дБ (A)
Погрешность (K): 3 дБ (A)

Уровень шума при выполнении работ может превышать 80 дБ (A).

ПРИМЕЧАНИЕ: Заявленное значение распространения шума измерено в соответствии со стандартной методикой испытаний и может быть использовано для сравнения инструментов.

ПРИМЕЧАНИЕ: Заявленное значение распространения шума можно также использовать для предварительных оценок воздействия.

▲ОСТОРОЖНО: Используйте средства защиты слуха.

▲ОСТОРОЖНО: Распространение шума во время фактического использования электроинструмента может отличаться от заявленного значения в зависимости от способа применения инструмента и в особенности от типа обрабатываемой детали.

▲ОСТОРОЖНО: Обязательно определите меры безопасности для защиты оператора, основанные на оценке воздействия в реальных условиях использования (с учетом всех этапов рабочего цикла, таких как выключение инструмента, работа без нагрузки и включение).

Вибрация

Суммарное значение вибрации (сумма векторов по трем осям), определенное в соответствии с EN50636-2-94:

DUM111 с установленным режущим ножом для газонных ножиц

Распространение вибрации (a_n): 2,5 м/с² или менее
Погрешность (K): 1,5 м/с²

Суммарное значение вибрации (сумма векторов по трем осям), определенное в соответствии с EN62841-4-2:

DUM111 с установленным режущим ножом для подрезки кустарника

Распространение вибрации (a_n): 2,5 м/с² или менее
Погрешность (K): 1,5 м/с²

ПРИМЕЧАНИЕ: Заявленное общее значение распространения вибрации измерено в соответствии со стандартной методикой испытаний и может быть использовано для сравнения инструментов.

ПРИМЕЧАНИЕ: Заявленное общее значение распространения вибрации можно также использовать для предварительных оценок воздействия.

▲ОСТОРОЖНО: Распространение вибрации во время фактического использования электроинструмента может отличаться от заявленного значения в зависимости от способа применения инструмента и в особенности от типа обрабатываемой детали.

▲ОСТОРОЖНО: Обязательно определите меры безопасности для защиты оператора, основанные на оценке воздействия в реальных условиях использования (с учетом всех этапов рабочего цикла, таких как выключение инструмента, работа без нагрузки и включение).

Декларация о соответствии ЕС

Только для европейских стран

Декларация о соответствии ЕС включена в руководство по эксплуатации (Приложение А).

МЕРЫ БЕЗОПАСНОСТИ

Общие рекомендации по технике безопасности для электроинструментов

▲ОСТОРОЖНО: Ознакомьтесь со всеми представленными инструкциями по технике безопасности, указаниями, иллюстрациями и техническими характеристиками, прилагаемыми к данному электроинструменту. Несоблюдение каких-либо инструкций, указанных ниже, может привести к поражению электрическим током, пожару и/или серьезной травме.

Сохраните брошюру с инструкциями и рекомендациями для дальнейшего использования.

Термин "электроинструмент" в предупреждениях относится ко всему инструменту, работающему от сети (с проводом) или на аккумуляторах (без провода).

Правила техники безопасности при эксплуатации аккумуляторных ножниц для травы

Общие указания

1. Чтобы обеспечить правильную эксплуатацию, пользователь должен прочитать данное руководство для ознакомления с правилами обращения с оборудованием. Недостаточно информированные пользователи подвергают опасности себя и окружающих.
2. Не разрешайте пользоваться изделием детям, людям с ограниченными физическими, сенсорными или умственными возможностями, либо не имеющим соответствующего опыта или знаний для работы с этим оборудованием, а также лицам, не ознакомившимся с данным руководством. Обратите внимание, что в местном законодательстве могут существовать возрастные ограничения для операторов.
3. Используйте оборудование с максимальной осторожностью и вниманием.
4. Используйте оборудование только в том случае, если находитесь в хорошей физической форме. Выполняйте все работы спокойно и аккуратно. Руководствуйтесь здравым смыслом; помните, что оператор/пользователь несет ответственность за происшествия и опасные ситуации с другими людьми или их собственностью.
5. Запрещается эксплуатировать устройство, если поблизости находятся люди (в особенности дети) или животные.
6. В случае возникновения проблем с оборудованием или его ненадлежащей работы немедленно выключите двигатель.
7. На время перерыва в работе или оставления устройство без присмотра, выключите его и извлеките блок аккумулятора, затем положите его в безопасное место, чтобы не допустить травмирования окружающих или повреждения оборудования.

8. Не рекомендуется использовать устройство в неблагоприятных погодных условиях, особенно в случае риска удара молнии.

Индивидуальные средства защиты

1. При эксплуатации устройства обязательно носите средства защиты глаз и прочную обувь.
2. На время эксплуатации инструмента обязательно надевайте длинные брюки и прочную обувь.

Включение оборудования

1. Убедитесь, что поблизости от места работы нет детей и других лиц, а также животных. В противном случае выключите оборудование.
2. Перед началом работы обязательно проверьте безопасность оборудования. Проверьте безопасность режущего узла и ограждения, легкость нажатия и правильность работы триггерного переключателя/рычага. Убедитесь, что рукоятки чистые и сухие, и проверьте функционирование кнопки пуска/останова.
3. Перед дальнейшим использованием оборудования осмотрите его на предмет поврежденных деталей. Ограждение или другие поврежденные детали должны быть тщательно осмотрены, чтобы убедиться, что инструмент будет работать нормально и выполнять функции, для которых он предназначен. Убедитесь в соосности и свободном ходе движущихся деталей, отсутствии поломок деталей, надежности крепления и отсутствии других дефектов, которые могут повлиять на работу электроинструмента. Поврежденное ограждение или другая деталь должны быть соответствующим образом отремонтированы или заменены в авторизованном сервисном центре, если в руководстве по эксплуатации не указано иное.
4. Включайте двигатель только если руки и ноги находятся на безопасном расстоянии от режущего узла.
5. Перед пуском двигателя убедитесь, что режущий узел ничего не касается.

Способ эксплуатации

1. Используйте оборудование только при хорошем освещении и достаточной видимости. В зимнее время помните о скользкости или мокрых поверхностях, наличии льда и снега (риск поскользывания). Соблюдайте особую осторожность и перемещайтесь только шагом при эксплуатации оборудования на склонах.
2. Соблюдайте меры безопасности, чтобы не травмировать ноги и руки режущим узлом.
3. Запрещается эксплуатировать инструмент, стоя на лестнице.
4. Запрещается залезать на деревья для выполнения обрезки.
5. Запрещается работать на неустойчивых поверхностях.
6. Удалите из рабочей зоны песок, камни, гвозди и пр. Посторонние предметы могут повредить режущий узел и вызвать травяную отдачу инструмента.

7. В случае удара режущего узла о камень или другой твердый предмет немедленно выключите электродвигатель и осмотрите режущий узел.
8. Осматривайте режущий узел на предмет повреждений через непродолжительные отрезки времени (постукивание свидетельствует о наличии микротрещин).
9. Перед тем как приступать к обрезке, необходимо дождаться, пока режущий узел наберет полную скорость.
10. Режущий узел должен быть оснащен соответствующим защитным кожухом. Запрещается включать оборудование с поврежденным или отсутствующим ограждением!
11. Все защитные приспособления и ограждения, входящие в комплект поставки оборудования, должны использоваться при эксплуатации.
12. Обязательно извлекайте блок аккумулятора в следующих случаях:
 - оставляя оборудование без присмотра;
 - перед устранением засора;
 - перед проверкой, очисткой или обслуживанием;
 - после удара о посторонний предмет;
 - при появлении ненормальной вибрации.
13. Следите за тем, чтобы вентиляционные отверстия не были засорены.
14. Режущие детали продолжают работать после выключения электромотора.
15. Если во время работы ножи останавливаются вследствие застревания между ними посторонних предметов, отключите инструмент и извлеките блок аккумулятора, после чего удалите посторонние предметы, например, плоскогубцами. Удаление посторонних предметов руками сопряжено с риском травмирования, поскольку при удалении посторонних предметов ножи могут сместиться.

Режущие узлы

Используйте только те режущие узлы, которые соответствуют характеру выполняемой работы.

Инструкции по техническому обслуживанию

1. Перед началом работы необходимо проверить состояние устройства, в частности, защитных приспособлений режущего узла.
2. Выключите электродвигатель и извлеките блок аккумулятора, прежде чем приступать к обслуживанию, замене режущего узла или чистке оборудования/режущего блока.
3. Если оборудование не используется, оно должно храниться в сухом, высоко расположенном или запечатом месте, недоступном для детей. Перед длительным хранением очистите и проведите обслуживание оборудования.

СОХРАНИТЕ ДАННЫЕ ИНСТРУКЦИИ.

▲ОСТОРОЖНО: НЕ ДОПУСКАЙТЕ, чтобы удобство или опыт эксплуатации данного устройства (полученный от многократного использования) доминировали над строгим соблюдением правил техники безопасности при обращении с этим устройством. **НЕПРАВИЛЬНОЕ ИСПОЛЬЗОВАНИЕ** инструмента или несоблюдение правил техники безопасности, указанных в данном руководстве, может привести к тяжелой травме.

Правила техники безопасности при эксплуатации аккумуляторного кустореза

1. **Держитесь на безопасном расстоянии от лезвия. Не удаляйте срезанные ветки и не придерживайте ветки, которые собираетесь срезать, когда диски находятся в движении.** После выключения выключателя лезвия продолжают двигаться. Секундная невнимательность при работе с электрическим кусторезом может привести к тяжелой травме.
2. **Переносите электрический кусторез за ручку после полной остановки лезвия и следите за тем, чтобы не нажать выключатель питания.** Переноска электрического кустореза при соблюдении мер безопасности снизит риск непреднамеренного пуска и получения травм от лезвий.
3. **При транспортировке или хранении электрического кустореза устанавливайте кожух лезвия.** Обращение с электрическим кусторезом при соблюдении мер безопасности снизит риск получения травм от лезвий.
4. **При удалении застрявших обрезков или обслуживании инструмента убедитесь в том, что все выключатели питания выключены, аккумуляторный блок извлечен или отсоединен.** Неожиданное срабатывание электрического кустореза во время удаления застрявших предметов или обслуживания может привести к тяжелым травмам.
5. **Держите электрический кусторез только за специальные изолированные поверхности, поскольку при выполнении работ существует риск контакта режущего диска со скрытой электропроводкой.** Контакт лезвий с находящимся под напряжением проводом приведет к тому, что на металлические детали электрического кустореза также будет подано напряжение, что приведет к поражению оператора электрическим током.
6. **Держите все шнуры питания и кабели на безопасном расстоянии от места срезания.** Труднозаметные в живых изгородях или кустах шнуры или кабели питания можно случайно разрезать лезвием.
7. **Не используйте электрический кусторез в неблагоприятных погодных условиях, особенно если существует риск удара молнией.** Это снижает риск удара молнией.

Дополнительные инструкции по технике безопасности

Подготовка

1. Перед началом работ с инструментом проверяйте изгороди и кустарники на наличие посторонних предметов, таких как проволочные ограждения или скрытая электропроводка.
2. Инструментом не должны пользоваться дети или лица, не достигшие возраста 18 лет. Лица старше 16 лет могут не подпадать под действие этого ограничения в случае, если они проходят обучение под надзором специалиста.
3. В случае использования инструмента впервые необходимо, чтобы опытный специалист показал приемы работы с ним.
4. Используйте инструмент только в том случае, если находитесь в хорошем физическом состоянии. Если вы устали, ваше внимание будет ослаблено. Соблюдайте повышенную осторожность в конце рабочего дня. Выполняйте все работы спокойно и аккуратно. Пользователь несет ответственность за ущерб, причиненный третьим лицам.
5. Инструмент запрещается использовать после приема алкоголя, наркотиков или лекарственных препаратов.
6. Перчатки из толстой кожи являются частью необходимого рабочего набора. Обязательно надевайте их при эксплуатации инструмента. Кроме того, обязательно надевайте прочные ботинки с противоскользящими подошвами.
7. Перед началом работы убедитесь в том, что инструмент находится в исправном состоянии. Проверьте наличие и правильность установки соответствующих защитных кожухов. Инструмент можно использовать только в полностью собранном виде.

Эксплуатация

1. Во время работы крепко удерживайте инструмент.
2. Инструмент предназначен для использования оператором на уровне земли. Не используйте инструмент на лестницах или любой другой неустойчивой опоре.
3. Во время работы с инструментом не используйте одновременно несколько ремней и / или плечевых ремней.
4. **ОПАСНО** - Держите руки на расстоянии от режущего диска. Прикосновение к диску может привести к серьезной травме.
5. Не пользуйтесь инструментом во время дождя и в условиях высокой влажности. Электродвигатель не защищен от влаги.
6. Перед началом работы займите устойчивое положение.
7. Не эксплуатируйте инструмент без нагрузки, если в этом нет необходимости.
8. Немедленно выключите инструмент и извлеките блок аккумулятора, если срезающие лезвия заденут ограду или другой твердый предмет. Убедитесь в отсутствии повреждений на лезвиях. Незамедлительно замените лезвия в случае наличия на них повреждений.

9. Перед проверкой срезающих лезвий, устранив неисправности или удалением застрявшего в срезающих лезвиях материала обязательно выключите инструмент и извлеките блок аккумулятора.
10. Никогда не направляйте лезвия секатора на себя или окружающих.
11. Если во время работы ножи останавливаются вследствие застревания между ними посторонних предметов, отключите инструмент и извлеките блок аккумулятора, после чего удалите посторонние предметы, например, плоскогубцами. Удаление посторонних предметов руками сопряжено с риском травмирования, поскольку при удалении посторонних предметов ножи могут сместиться.
12. Избегайте опасных сред. Не используйте инструмент в местах с повышенной влажностью и под дождем. Попавшая в инструмент вода повышает опасность поражения электрическим током.

Техническое обслуживание и хранение

1. Перед выполнением технического обслуживания выключите инструмент и извлеките блок аккумулятора.
2. Переноса инструмент в другое место (в том числе во время работы), обязательно извлекайте блок аккумулятора и устанавливайте кожух лезвия на срезающие лезвия. Запрещено переносить или перевозить инструмент с движущимися лезвиями. Запрещено брать руками за лезвия.
3. Очищайте инструмент и особенно срезающие лезвия после использования, а также перед длительным хранением. Нанесите небольшое количество смазки на лезвия и наденьте кожух лезвия.
4. Храните инструмент с установленным кожухом лезвия в чехле в сухом помещении. Берегите от детей. Запрещается хранить инструмент вне помещения.
5. Не бросайте аккумуляторные блоки в огонь. Они могут взорваться. Уточните местные правила утилизации аккумуляторов.
6. Не вскрывайте и не разбивайте аккумуляторы. Содержащийся в них электролит очень едкий, вы можете повредить глаза или кожу. При проглатывании может привести к отравлению.
7. Не заряжайте аккумулятор под дождем или в местах с повышенной влажностью.

СОХРАНИТЕ ДАННЫЕ ИНСТРУКЦИИ.

▲ОСТОРОЖНО: НЕ ДОПУСКАЙТЕ, чтобы удобства или опыт эксплуатации данного устройства (полученный от многократного использования) доминировали над строгим соблюдением правил техники безопасности при обращении с этим устройством. **НЕПРАВИЛЬНОЕ ИСПОЛЬЗОВАНИЕ** инструмента или несоблюдение правил техники безопасности, указанных в данном руководстве, может привести к тяжелой травме.

Важные правила техники безопасности для работы с аккумуляторным блоком

1. Перед использованием аккумуляторного блока прочитайте все инструкции и предупреждающие надписи на (1) зарядном устройстве, (2) аккумуляторном блоке и (3) инструменте, работающем от аккумуляторного блока.
2. Не разбирайте блок аккумулятора и не меняйте его конструкцию. Это может привести к пожару, перегреву или взрыву.
3. Если время работы аккумуляторного блока значительно сократилось, немедленно прекратите работу. В противном случае, может возникнуть перегрев блока, что приведет к ожогам и даже к взрыву.
4. В случае попадания электролита в глаза промойте их обильным количеством чистой воды и немедленно обратитесь к врачу. Это может привести к потере зрения.
5. Не замыкайте контакты аккумуляторного блока между собой:
 - (1) Не прикасайтесь к контактам каки-ми-либо токопроводящими предметами.
 - (2) Не храните аккумуляторный блок в контейнере вместе с другими металлическими предметами, такими как гвозди, монеты и т. п.
 - (3) Не допускайте попадания на аккумуляторный блок воды или дождя.

Замыкание контактов аккумуляторного блока между собой может привести к возникновению большого тока, перегреву, возможным ожогам и даже поломке блока.
6. Не храните и не используйте инструмент и аккумуляторный блок в местах, где температура может достигать или превышать 50 °C (122 °F).
7. Не бросайте аккумуляторный блок в огонь, даже если он сильно поврежден или полностью вышел из строя. Аккумуляторный блок может взорваться под действием огня.
8. Запрещено вбивать гвозди в блок аккумулятора, резать, ломать, бросать, ронять блок аккумулятора или ударять его твердым предметом. Это может привести к пожару, перегреву или взрыву.
9. Не используйте поврежденный аккумуляторный блок.
10. Входящие в комплект литий-ионные аккумуляторы должны эксплуатироваться в соответствии с требованиями законодательства об опасных товарах.

При коммерческой транспортировке, например, третьей стороной или экспедитором, необходимо нанести на упаковку специальные предупреждения и маркировку. В процессе подготовки устройства к отправке обязательно проконсультируйтесь со специалистом по опасным материалам. Также соблюдайте местные требования и нормы. Они могут быть строже. Закройте или закрепите разомкнутые контакты и упакуйте аккумулятор так, чтобы он не перемещался по упаковке.
11. Для утилизации блока аккумулятора извлеките его из инструмента и утилизируйте безопасным способом. Выполняйте требования местного законодательства по утилизации аккумуляторного блока.
12. Используйте аккумуляторы только с продукцией, указанной Makita. Установка аккумуляторов на продукцию, не соответствующую требованиям, может привести к пожару, перегреву, взрыву или утечке электролита.
13. Если инструментом не будут пользоваться в течение длительного периода времени, извлеките аккумулятор из инструмента.
14. Во время и после использования блок аккумулятора может нагреваться, что может стать причиной ожогов или низкотемпературных ожогов. Будьте осторожны при обращении с горячим блоком аккумулятора.
15. Не прикасайтесь к контактам инструмента сразу после использования, поскольку они могут быть достаточно горячими, чтобы вызвать ожоги.
16. Не допускайте, чтобы обломки, пыль или земля прилипали к контактам, отверстиям и глазам на блоке аккумулятора. Это может привести к снижению эксплуатационных параметров, поломке инструмента или блока аккумулятора.
17. Если инструмент не рассчитан на использование вблизи высоковольтных линий электропередач, не используйте блок аккумулятора вблизи высоковольтных линий электропередач. Это может привести к неисправности, поломке инструмента или блока аккумулятора.
18. Храните аккумулятор в недоступном для детей месте.

СОХРАНИТЕ ДАННЫЕ ИНСТРУКЦИИ.

▲ВНИМАНИЕ: Используйте только фирменные аккумуляторные батареи Makita. Использование аккумуляторных батарей, не прошедших Makita, или батарей, которые были подвергнуты модификациям, может привести к взрыву аккумулятора, пожару, травмам и повреждению имущества. Это также автоматически аннулирует гарантию Makita на инструмент и зарядное устройство Makita.

Советы по обеспечению максимального срока службы аккумулятора

1. Заряжайте блок аккумулятора перед его полной разрядкой. Обязательно прекратите работу с инструментом и зарядите блок аккумуляторов, если вы заметили снижение мощности инструмента.
2. Никогда не подзаряжайте полностью заряженный блок аккумуляторов. Перезарядка сокращает срок службы аккумулятора.
3. Заряжайте блок аккумуляторов при комнатной температуре в 10 - 40 °C (50 - 104 °F). Перед зарядкой горячего блока аккумуляторов дайте ему остыть.
4. Если блок аккумулятора не используется, извлеките его из инструмента или зарядного устройства.
5. Зарядите ионно-литиевый аккумуляторный блок, если вы не будете пользоваться инструментом длительное время (более шести месяцев).

ОПИСАНИЕ РАБОТЫ

▲ ВНИМАНИЕ: Перед регулировкой или проверкой функций инструмента обязательно убедитесь, что он выключен и его аккумуляторный блок снят.

Использование инструмента в качестве аккумуляторного кустореза

При установке режущих ножей для кустореза данный инструмент можно использовать в качестве аккумуляторного кустореза.

Установка или снятие блока аккумулятора

▲ ВНИМАНИЕ: Обязательно выключайте инструмент перед установкой и извлечением аккумуляторного блока.

▲ ВНИМАНИЕ: При установке и извлечении аккумуляторного блока крепко удерживайте инструмент и аккумуляторный блок. Если не соблюдать это требование, они могут выскользнуть из рук, что приведет к повреждению инструмента, аккумуляторного блока и травмированию оператора.

► **Рис. 1:** 1. Красный индикатор 2. Кнопка 3. Блок аккумулятора

Для снятия аккумуляторного блока нажмите кнопку на лицевой стороне и извлеките блок.

Для установки блока аккумулятора совместите выступ блока аккумулятора с пазом в корпусе и задвиньте его на место. Устанавливайте блок до упора, чтобы он зафиксировался с небольшим щелчком. Если вы видите красный индикатор, как показано на рисунке, он не зафиксирован полностью.

▲ ВНИМАНИЕ: Обязательно устанавливайте блок аккумулятора до конца, чтобы красный индикатор не был виден. В противном случае блок аккумулятора может выпасть из инструмента и нанести травму вам или другим людям.

▲ ВНИМАНИЕ: Не прилагайте чрезмерных усилий при установке аккумуляторного блока. Если блок не движется свободно, значит он вставлен неправильно.

Индикация оставшегося заряда аккумулятора

Только для блоков аккумулятора с индикатором

► **Рис. 2:** 1. Индикаторы 2. Кнопка проверки

Нажмите кнопку проверки на аккумуляторном блоке для проверки заряда. Индикаторы загорятся на несколько секунд.

Индикаторы			Уровень заряда
Горит	Выкл.	Мигает	
■ ■ ■ ■	□ □ □ □	□ □ □ □	от 75 до 100%
■ ■ ■ □	□ □ □ □	□ □ □ □	от 50 до 75%
■ ■ □ □	□ □ □ □	□ □ □ □	от 25 до 50%
■ □ □ □	□ □ □ □	□ □ □ □	от 0 до 25%
■ □ □ □	□ □ □ □	□ □ □ □	Зарядите аккумуляторную батарею.
■ ■ □ □	□ □ □ □	□ □ □ □	Возможно, аккумуляторная батарея неисправна.
□ □ □ □	□ □ □ □	■ ■ ■ ■	

ПРИМЕЧАНИЕ: В зависимости от условий эксплуатации и температуры окружающего воздуха индикация может незначительно отличаться от фактического значения.

ПРИМЕЧАНИЕ: Первая (дальняя левая) индикаторная лампа будет мигать во время работы защитной системы аккумулятора.

Система защиты инструмента/аккумулятора

На инструменте предусмотрена система защиты инструмента/аккумулятора. Она автоматически отключает питание двигателя для продления срока службы инструмента и аккумулятора. Инструмент автоматически остановится во время работы в следующих случаях:

Защита от перегрузки

Если из-за способа эксплуатации аккумулятор потребляет очень большое количество тока, инструмент автоматически остановится. В этом случае выключите инструмент и прекратите работу, повлекшую перегрузку инструмента. Затем включите инструмент для перезапуска.

Защита от перегрева

При перегреве аккумулятора инструмент останавливается автоматически. В этом случае дайте инструменту и аккумулятору остыть перед повторным включением.

Защита от переразрядки

При истощении емкости аккумулятора инструмент автоматически останавливается. В этом случае извлеките аккумулятор из инструмента и зарядите его.

Действие выключателя

⚠ ОСТОРОЖНО: Перед установкой аккумуляторного блока в инструмент обязательно убедитесь, что его триггерный переключатель нормально работает и возвращается в положение "OFF" (ВЫКЛ) при отпускании.

⚠ ОСТОРОЖНО: Для обеспечения вашей безопасности данный инструмент оборудован кнопкой разблокировки, которая предотвращает его непреднамеренное включение. Запрещается использовать инструмент, если он включается при простом нажатии на триггерный переключатель без нажатия на кнопку разблокировки. Обратитесь в местный сервисный центр Makita для ремонта.

⚠ ОСТОРОЖНО: Запрещается отключать функцию блокировки или фиксировать кнопку разблокировки в нажатом положении с помощью посторонних предметов.

ПРИМЕЧАНИЕ: Не нажимайте на триггерный переключатель до нажатия на кнопку разблокировки. Избегайте излишне сильного нажатия. Переключатель может сломаться.

► **Рис.3:** 1. Триггерный переключатель 2. Кнопка разблокировки

Для предотвращения непреднамеренного включения триггерного переключателя имеется кнопка разблокировки.

Для запуска инструмента, отпустите кнопку блокировки, затем потяните триггерный переключатель. Отпустите триггерный переключатель для остановки. Кнопку разблокировки можно нажимать как с левой, так и с правой стороны.

Индикаторная лампа

Индикаторная лампа мигает или загорается при низком уровне остаточной емкости аккумулятора или его полной разрядке. Кроме того, индикаторная лампа включается при перегрузке инструмента.

► **Рис.4:** 1. Индикаторная лампа

Состояние лампы и необходимые действия

Индикаторная лампа	Состояние	Необходимое действие
Лампа мигает красным цветом.	Низкий уровень остаточной емкости аккумулятора.	Зарядите аккумуляторную батарею.
Лампа загорается красным цветом. *	Инструмент остановился по причине низкой остаточной емкости аккумулятора.	Зарядите аккумуляторную батарею.
	Инструмент остановился по причине перегрузки.	Выключите инструмент.

* Время включения индикаторной лампы зависит от температуры в рабочей области и состояния блока аккумулятора.

Регулирование высоты резания (ножниц для травы)

Дополнительные принадлежности

⚠ ВНИМАНИЕ: При изменении высоты резания требуется надеть чехол лезвия. Соблюдайте осторожность, чтобы не защемить пальцы между инструментом и коллектором для травы.

Вы можете установить один из трех уровней высоты (15 мм, 20 мм и 25 мм) путем изменения положения, в котором зафиксирован коллектор для травы. Без коллектора для травы высота резания составляет приблизительно 10 мм.

1. Сдвиньте коллектор для травы в сторону передней части инструмента.

► **Рис.5:** 1. Коллектор для травы

2. Измените положение, в котором зафиксирован коллектор для травы. Для этого переместите его в указанном стрелкой направлении.

► **Рис.6**

ПРИМЕЧАНИЕ: Значения высоты резания приведены исключительно в справочных целях. Фактическая высота резания может меняться в зависимости от состояния газона и поверхности земли.

ПРИМЕЧАНИЕ: Чтобы определить желаемую высоту, выполните пробную стрижку на не слишком заметном участке газона.

СБОРКА

⚠ ВНИМАНИЕ: Перед проведением каких-либо работ с инструментом обязательно убедитесь, что инструмент отключен, а блок аккумулятора снят.

⚠ ВНИМАНИЕ: При замене режущих ножей обязательно надевайте перчатки и устанавливайте чехол для лезвия, чтобы не прикасаться руками и лицом непосредственно к ножам.

ПРИМЕЧАНИЕ: При замене режущих ножей не удаляйте смазочный материал с редуктора или кривошипа.

Установка и снятие чехла для лезвия

⚠ ВНИМАНИЕ: Соблюдайте осторожность, чтобы не коснуться ножей при установке или снятии чехла для лезвия.

Чтобы снять чехол для лезвия, слегка потяните и сдвиньте его в сторону. Чтобы надеть чехол для лезвия, выполните описанные действия в обратном порядке.

► **Рис.7**

Установка или снятие коллектора для травы

Дополнительные принадлежности

ВНИМАНИЕ: При установке или снятии коллектора для травы необходимо надеть чехол для лезвия. Соблюдайте осторожность, чтобы не защемить пальцы между инструментом и коллектором для травы.

Установка коллектора для травы

1. Вставьте шарнир коллектора для травы в соответствующий паз инструмента.

► **Рис.8:** 1. Шарнир 2. Коллектор для травы

2. Совместите выступы коллектора для травы с пазами инструмента. Для этого сдвиньте коллектор для травы в сторону передней части инструмента и переместите первый в указанном стрелкой направлении.

► **Рис.9**

ПРИМЕЧАНИЕ: Не прилагайте повышенных усилий при установке коллектора для травы на инструмент после совмещения выступов первого с пазами последнего.

Снятие коллектора для травы

1. Извлеките выступы коллектора для травы из пазов инструмента, сдвигая при этом коллектор для травы в сторону передней части инструмента.

► **Рис.10:** 1. Коллектор для травы

2. Извлеките шарнир коллектора для травы из инструмента.

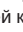

Установка или снятие режущих ножей для газонных ножниц

ПРИМЕЧАНИЕ: В случае износа каких-либо деталей инструмента (кроме лезвий секатора), например кривошипа, обратитесь в авторизованный сервисный центр Makita для их замены или ремонта.

Снятие режущих ножей

1. Снимите коллектор для травы, если таковой установлен. Проверните инструмент.

► **Рис.11**

2. Удерживая рычаг блокировки в нажатом положении, поворачивайте нижнюю крышку против часовой стрелки, пока  на нижней крышке не совместится с  на рычаге блокировки.

► **Рис.12:** 1. Нижняя крышка 2. Стопорный рычаг

3. Снимите нижнюю крышку, режущие ножи и кривошип.

► **Рис.13:** 1. Нижняя крышка 2. Режущие ножи 3. Кривошип

Установка режущих ножей

1. Подготовьте кривошип, нижнюю крышку и новые режущие ножи.

► **Рис.14:** 1. Кривошип 2. Нижняя крышка 3. Режущие ножи

2. Снимите чехол лезвия со старых режущих ножей и наденьте его на новые.

► **Рис.15:** 1. Кожух лезвия

3. Отрегулируйте три штифта так, чтобы их положение совпадало с линией совмещения.

► **Рис.16:** 1. Линия совмещения

4. Нанесите немного смазочного материала на внешний край кривошипа. Установите кривошип на штифты таким образом, чтобы маленькие и большие закругленные элементы были направлены вверх.

► **Рис.17:** 1. Кривошип



5. Отрегулируйте режущие ножи и направляющую пластину так, чтобы отверстие в направляющей пластине и два выступа на режущих ножах располагались на одной линии.

► **Рис.18:** 1. Направляющая пластина

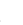
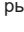
6. Переверните режущие ножи и установите их так, чтобы штифты инструмента вошли в отверстие на направляющей пластине. Убедитесь, что режущие ножи надежно зафиксированы.

► **Рис.19:** 1. Направляющая пластина

ПРИМЕЧАНИЕ: Подвинув чехол лезвия немного вперед, можно облегчить установку режущих ножей.

7. Поместите нижнюю крышку так, чтобы  был совмещен с  на рычаге блокировки.

► **Рис.20:** 1. Нижняя крышка 2. Стопорный рычаг

8. Нажимая на нижнюю крышку, поворачивайте ее по часовой стрелке, пока  на нижней крышке не будет совмещен с  на рычаге блокировки.

► **Рис.21:** 1. Нижняя крышка 2. Стопорный рычаг

9. Убедитесь, что рычаг блокировки входит в паз на нижней крышке.

► **Рис.22:** 1. Стопорный рычаг

ВНИМАНИЕ: Запрещается использовать инструмент без нижней крышки.

10. Снимите чехол лезвия и включите инструмент, чтобы проверить его исправность.



ПРИМЕЧАНИЕ: При неправильной работе режущих ножей они не будут правильным образом взаимодействовать с кривошипом. Снимите режущие ножи и повторно установите их.

Установка или снятие режущих ножей для подрезки кустарника

ВНИМАНИЕ: Установите чехол для лезвия перед тем, как снимать или устанавливать режущие ножи.

ПРИМЕЧАНИЕ: В случае износа каких-либо деталей инструмента (кроме лезвий секатора), например кривошипа, обратитесь в авторизованный сервисный центр Makita для их замены или ремонта.

Снятие режущих ножей

1. Переверните инструмент.
► **Рис.23**
2. Удерживая рычаг блокировки в нажатом положении, поворачивайте нижнюю крышку против часовой стрелки, пока  на нижней крышке не совместится с  на рычаге блокировки.
► **Рис.24:** 1. Стопорный рычаг 2. Нижняя крышка
3. Снимите нижнюю крышку.
► **Рис.25:** 1. Нижняя крышка
4. Ослабьте два винта отверткой и снимите режущие ножи.
► **Рис.26:** 1. Винты

ПРИМЕЧАНИЕ: Режущие ножи можно снять без извлечения винтов.

5. Снимите кривошип с режущих ножей.
► **Рис.27:** 1. Кривошип

ПРИМЕЧАНИЕ: Кривошип можно оставить в инструменте.




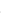
ПРИМЕЧАНИЕ: Установите чехол лезвий и кожух на снятые режущие ножи и поместите их в футляр для хранения.

Установка режущих ножей

1. Подготовьте кривошип, нижнюю крышку и новые режущие ножи.
► **Рис.28:** 1. Кривошип 2. Нижняя крышка 3. Режущие ножи
2. Установите чехол для лезвия на режущие ножи.
► **Рис.29:** 1. Кожух лезвия
3. Отрегулируйте три штифта так, чтобы их положение совпадало с линией совмещения.
► **Рис.30:** 1. Линия совмещения
4. Нанесите немного смазочного материала на внешний край кривошипа. Установите кривошип на штифты таким образом, чтобы маленькие и большие закругленные элементы были направлены вниз.
► **Рис.31:** 1. Кривошип
5. Сдвиньте режущие ножи таким образом, чтобы отверстие на направляющей пластине располагалось по центру колец режущих ножей.
► **Рис.32:** 1. Направляющая пластина

6. Переверните режущие ножи и установите их так, чтобы штифт на инструменте вошел в отверстие на режущих ножах. Введите захват направляющей пластины в паз инструмента. Убедитесь, что режущие ножи надежно зафиксированы.
► **Рис.33:** 1. Захват 2. Направляющая пластина

ПРИМЕЧАНИЕ: Подвинув чехол лезвия немного вперед, можно облегчить установку режущих ножей.

7. Надежно затяните отверткой два винта.
► **Рис.34:** 1. Винты
8. Поместите нижнюю крышку так, чтобы  был совмещен с  на рычаге блокировки.
► **Рис.35:** 1. Стопорный рычаг 2. Нижняя крышка
9. Нажимая на нижнюю крышку, поворачивайте ее по часовой стрелке, пока  на нижней крышке не будет совмещен с  на рычаге блокировки.
► **Рис.36:** 1. Нижняя крышка
10. Убедитесь, что рычаг блокировки входит в паз на нижней крышке.
► **Рис.37:** 1. Стопорный рычаг

ВНИМАНИЕ: Запрещается использовать инструмент без нижней крышки.

11. Снимите чехол лезвия и включите инструмент, чтобы проверить его исправность.

ПРИМЕЧАНИЕ: При неправильной работе режущих ножей они не будут правильным образом взаимодействовать с кривошипом. Снимите режущие ножи и повторно установите их.

Установка или снятие сборника обрезков

Дополнительные принадлежности

ВНИМАНИЕ: При установке или снятии сборника обрезков обязательно надевайте перчатки и устанавливайте чехол для лезвия, чтобы не прикасаться руками и лицом непосредственно к режущему ножу.

Срезанные листья попадают в сборник обрезков, что облегчает уборку после проведения работ. Его можно установить с любой из двух сторон инструмента.

Чтобы установить сборник обрезков, прижмите его к режущим ножам так, чтобы фиксаторы вошли в отверстия на режущих ножах.

- **Рис.38:** 1. Фиксаторы 2. Отверстия

Для снятия сборника обрезков необходимо нажать на рычаги с обеих сторон, чтобы освободить фиксаторы.

- **Рис.39:** 1. Рычаги

ПРИМЕЧАНИЕ: Не снимайте сборник обрезков, применяя излишнюю силу, если фиксаторы вошли в отверстия на режущих ножах.

ЭКСПЛУАТАЦИЯ

⚠ ОСТОРОЖНО: Перед стрижкой уберите с газона ветки и камни. Кроме того, заблаговременно очистите газон от сорняков.

► Рис.40

⚠ ОСТОРОЖНО: Держите руки на расстоянии от лезвий.

⚠ ВНИМАНИЕ: По возможности не используйте инструмент в жаркую погоду. При работе с инструментом учитывайте свое физическое состояние.

Стрижка (с помощью ножниц для травы)

Отрегулировав высоту резания, включите инструмент и удерживайте его так, чтобы его нижняя часть опиралась на землю. Плавно передвигайте инструмент вперед.

► Рис.41

При стрижке травы вокруг бордюрных камней, оград или деревьев перемещайте инструмент вдоль них. Соблюдайте осторожность, чтобы избежать соприкосновения инструмента с препятствиями.

► Рис.42

Выполняйте стрижку веток кустарника или листвы маленьких деревьев постепенно.

► Рис.43

Заранее обрежьте толстые ветки до нужной высоты, используя для этого веткорез.

ПРИМЕЧАНИЕ: Не используйте инструмент способами, заставляющими двигатель останавливаться или вращаться очень медленно.

ПРИМЕЧАНИЕ: Не пытайтесь резать толстые ветки.

ПРИМЕЧАНИЕ: Во время работы не допускайте соприкосновения режущих ножей с землей. Ножи затупятся, что приведет к снижению производительности.

ПРИМЕЧАНИЕ: Не обрезайте мокрую траву или листву небольших деревьев.

Стрижка газона с высокой травой

Не старайтесь скосить длинную траву за один заход. Вместо этого выполняйте стрижку газона в несколько этапов. Стригите газон с интервалом в один или два дня до тех пор, пока он не станет ровным.

► Рис.44

ПРИМЕЧАНИЕ: Скашивание высокой травы за один заход может стать причиной ее засыхания.

Обрезка (с помощью кустореза)

⚠ ВНИМАНИЕ: Соблюдайте осторожность, чтобы во время работы случайно не задеть металлическую ограду или другие твердые предметы. Ножи могут сломаться или нанести серьезную травму.

⚠ ВНИМАНИЕ: Соблюдайте осторожность, чтобы не допустить соприкосновения режущих ножей с землей. Инструмент может причинить серьезную травму из-за отдачи.

⚠ ВНИМАНИЕ: Не пытайтесь дотянуться инструментом до отдаленных веток, особенно с лестницы. Это очень опасно. Во время работы не стойте на шатких или неустойчивых предметах.

ПРИМЕЧАНИЕ: Не пытайтесь с помощью этого инструмента резать ветки толще 10 мм в диаметре. Перед использованием данного инструмента с помощью веткорезов обрежьте ветки до высоты на 10 см ниже, чем высота срезания.

► Рис.45: (1) Высота срезания (2) 10 см

ПРИМЕЧАНИЕ: Не срежьте сухие деревья или аналогичные твердые объекты. Невыполнение этого требования может привести к повреждению инструмента.

ПРИМЕЧАНИЕ: Не подрезайте траву или сорняки режущими ножами. Режущие ножи могут запутаться в траве или сорняках.

Удерживайте инструмент одной рукой, потяните триггерный переключатель, нажимая при этом на кнопку разблокировки, и начните перемещать инструмент вперед.

► Рис.46

Для работы в базовом режиме наклоните ножи в направлении резания, спокойно и медленно перемещайте инструмент в направлении резания со скоростью 3 – 4 секунды на метр.

► Рис.47

Завяжите веревку на нужной высоте и выполняйте стрижку по ней, чтобы обеспечить требуемую ровность.

► Рис.48

Если к режущим ножам присоединен сборник обрезков, то срезанные листья будут скапливаться в нем, что, в свою очередь, облегчит уборку после проведения работ.

Чтобы ровно обрезать боковую часть живой изгороди, рекомендуется резать снизу вверх.

► Рис.49

Если вы хотите при стрижке придать объекту (например, кусту самшита, рододендрону и т. п.) шарообразную форму, выполняйте стрижку снизу вверх, начиная с основания. Так вам будет легче добиться желаемого результата.

► Рис.50

ОБСЛУЖИВАНИЕ

⚠ ВНИМАНИЕ: Перед проведением проверки или работ по техобслуживанию всегда проверяйте, что инструмент выключен, а блок аккумулятора снят.

Для обеспечения БЕЗОПАСНОСТИ и НАДЕЖНОСТИ оборудования ремонт, любое другое техобслуживание или регулировку необходимо производить в уполномоченных сервис-центрах Makita или сервис-центрах предприятия с использованием только сменных частей производства Makita.

Очистка инструмента

При выполнении очистки инструмента требуется вытирать пыль сухой либо смоченной мыльной водой и выжатой тканью.

ПРИМЕЧАНИЕ: Запрещается использовать бензин, растворители, спирт и другие подобные жидкости. Это может привести к обесцвечиванию, деформации и трещинам.

Техобслуживание лезвий

Перед началом или после каждого часа эксплуатации нанесите смазочный материал низкой вязкости (машинное масло или смазочное масло в виде спрея) на режущие ножи.

► Рис.51

► Рис.52

После завершения эксплуатации необходимо провололочной щеткой очистить обе стороны ножей от пыли, протереть их тканью, а затем нанести смазочный материал низкой вязкости (машинное масло или смазочное масло в виде спрея) на режущие ножи.

► Рис.53

► Рис.54

ПРИМЕЧАНИЕ: Не промывайте ножи водой. Невыполнение этого условия может привести к появлению на инструменте ржавчины или его повреждению.

ПРИМЕЧАНИЕ: Грязь и коррозия приводят к чрезмерному трению лезвия и уменьшают срок работы от одного заряда аккумулятора.

Хранение

Отверстие в нижней части инструмента служит для подвешивания на гвоздь или шуруп в стене. Наденьте чехол для лезвия на режущие ножи, чтобы они не подвергались внешним воздействиям. Храните инструмент в недоступном для детей месте. Не допускайте попадания на инструмент воды или дождя.

► Рис.55: 1. Отверстие

► Рис.56: 1. Отверстие

ДОПОЛНИТЕЛЬНЫЕ ПРИНАДЛЕЖНОСТИ

⚠ ВНИМАНИЕ: Данные принадлежности или приспособления рекомендуются для использования с инструментом Makita, указанным в настоящем руководстве. Использование других принадлежностей или приспособлений может привести к получению травмы. Используйте принадлежность или приспособление только по указанному назначению.

Если вам необходимо содействие в получении дополнительной информации по этим принадлежностям, свяжитесь с вашим сервис-центром Makita.

- Режущий нож в сборе (для газонных ножниц)
- Чехол для режущего ножа (для газонных ножниц)
- Коллектор для травы (для газонных ножниц)
- Удлиненная рукоятка (для газонных ножниц)
- Режущий нож в сборе (для подрезки кустарника)
- Чехол для режущего ножа (для подрезки кустарника)
- Сборник обрезков (для электрического кустореза)
- Футляр для хранения
- Оригинальный аккумулятор и зарядное устройство Makita

ПРИМЕЧАНИЕ: Некоторые элементы списка могут входить в комплект инструмента в качестве стандартных приспособлений. Они могут отличаться в зависимости от страны.

Makita Europe N.V. Jan-Baptist Vinkstraat 2,
3070 Kortenberg, Belgium

Makita Corporation 3-11-8, Sumiyoshi-cho,
Anjo, Aichi 446-8502 Japan

www.makita.com

885856A985
EN, SV, NO, FI, DA,
LV, LT, ET, RU
20210215